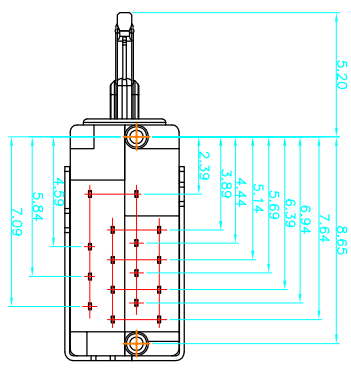
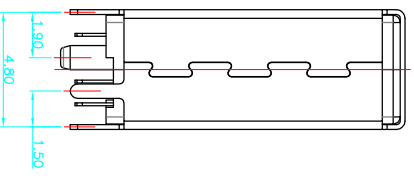
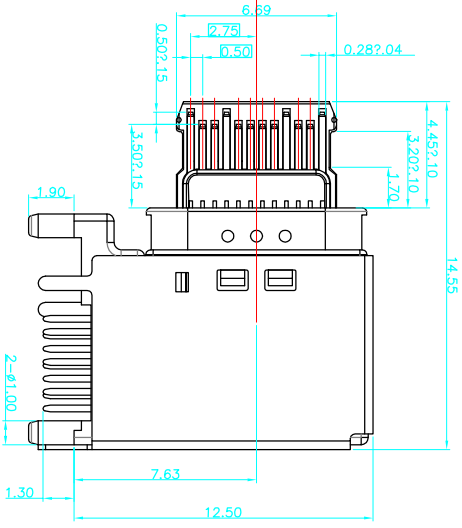
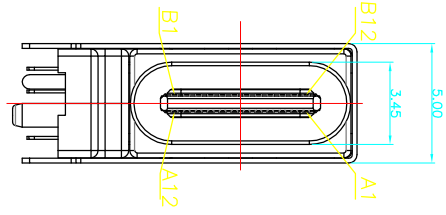
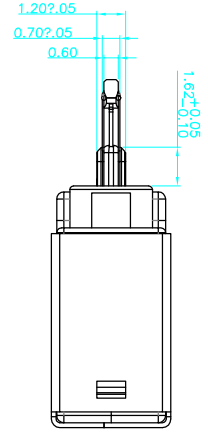


ROHS 客户图



| | | |
|------------|----------------------|------------|
| 目錄 MAPX | 變更內容 MODIFICATION | 日期 DATE |
| A0 | NEW | 09-10-20 |

备注:

- 1.材质:
- 1.1胶芯: LCP+30%G.F UL94V-0
- 1.2端子: COPPER ALLOY;
- 1.3外壳: SUS304, T=0.20mm; 表面镀镍100μ"
- 1.4护板: 不锈钢, T=0.15mm;
- 2.主要特性:
- 2.1额定电流: 5A MIN FOR VBUS, 0.25A MIN FOR OTHER.
- 2.2接触阻抗: 40mΩ MAX
- 2.3绝缘阻抗: 100MΩ MIN 250V DC
- 2.4耐压测试: 250V AC
- 2.5沾锡性: 温度250? °C, 时间5? 5s
- 2.6整体插入力: 2.00kgf MAX
整体拔出力: 0.80kgf MIN
- 2.7使用寿命: 10000次
- 2.8工作温度: -55°C~+85°C

产品图

深圳市鑫风雷电子有限公司

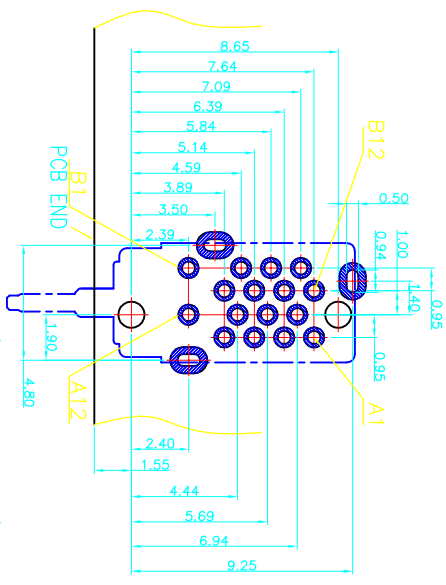
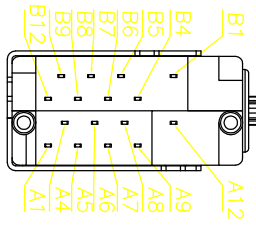
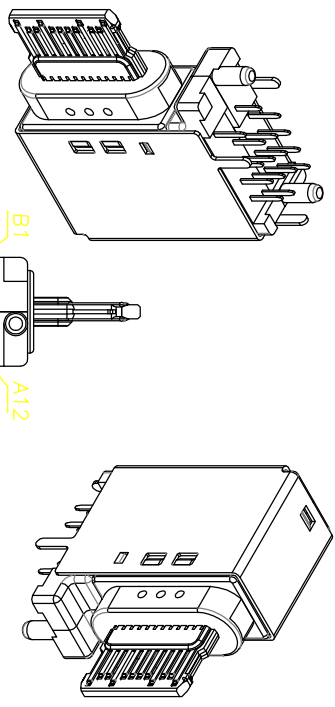
PRODUCT CHART DWG

公差一览表

| TOLERANCE UNLESS OTHERWISE | 公差 | UNIT | OTHERWISE |
|----------------------------|-------|------|-----------|
| X | ±0.30 | X' | ±5' |
| X | ±0.25 | X' | ±2' |
| XX | ±0.30 | XX' | ±1' |
| XXX | ±0.15 | XXX' | ±0.5' |

| 单位 UNITS | MM | 制图 DRAWING | 王冠 | 产品料号 PRODUCT PART NO. | XFLB001-UCAP001-X |
|-------------|------------|---------------|-----|--------------------------|-------------------|
| 比例 SCALE | 1:1 | 审核 CHECK | 雷永健 | 产品名称 PRODUCT NO. | Type c母座侧插16P纯塑 |
| 日期 DATE | 2009/10/20 | 核准 APPD | 雷永健 | 角法 VIEW | ⊕ ⊖ |
| | | | | 版本 VER | A0 |

RoHS 客户图



RECOMMEND P.C.B LAYOUT (THICKNESS=0.1mm)

| | | |
|------------|----------------------|------------|
| 目錄 MAPX | 變更內容 MODIFICATION | 日期 DATE |
| A0 | NEW | 09-10-20 |

| Pin | Signal Name | Description | Pin | Signal Name | Description |
|-----|-------------|---|-----|-------------|---|
| A1 | GND | Ground return | B12 | GND | Ground return |
| A2 | SRXp1 | Positive half of first SuperSpeed TX differential pair | B11 | SRXp1 | Positive half of first SuperSpeed RX differential pair |
| A3 | SRMx1 | Negative half of first SuperSpeed TX differential pair | B10 | SRMx1 | Negative half of first SuperSpeed RX differential pair |
| A4 | Vas | Bus Power | B9 | Vas | Bus Power |
| A5 | CC1 | Configuration Channel | B8 | SR02 | Stidband Use (SR0) |
| A6 | Dp1 | Positive half of the USB 2.0 differential pair-Position 1 | B7 | Dn2 | Negative half of the USB 2.0 differential pair-Position 2 |
| A7 | Dn1 | Negative half of the USB 2.0 differential pair-Position 1 | B6 | Dp2 | Positive half of the USB 2.0 differential pair-Position 2 |
| A8 | SR01 | Stidband Use (SR0) | B5 | CC2 | Configuration Channel |
| A9 | Vas | Bus Power | B4 | Vas | Bus Power |
| A10 | SRXm2 | Negative half of second SuperSpeed RX differential pair | B3 | SRMx2 | Positive half of second SuperSpeed TX differential pair |
| A11 | SRMx2 | Positive half of second SuperSpeed RX differential pair | B2 | SRXp2 | Negative half of second SuperSpeed TX differential pair |
| A12 | GND | Ground return | B1 | GND | Ground return |

产品图 深圳市鑫风雷电子有限公司

| | | | | | | | |
|---|-------|-------------|-------|---------------|-----|--------------------------|-------------------|
| 公差一览表 TOLERANCE UNLESS OTHERWISE SPECIFIED | | 单位 UNITS | MM | 制图 DRAWING | 王冠 | 产品料号 PRODUCT PART NO. | XFLB001-HCAF001-X |
| X | ±0.30 | X' | ±5° | 审核 CHECK | 雷永健 | 产品名称 PRODUCT NO. | Type c母座侧插16P纯塑 |
| XX | ±0.30 | XX' | ±2° | 核准 APPD | 雷永健 | 角法 VIEW | 版本 VER |
| XXX | ±0.15 | XXX' | ±0.5° | 日期 DATE | | | A0 |