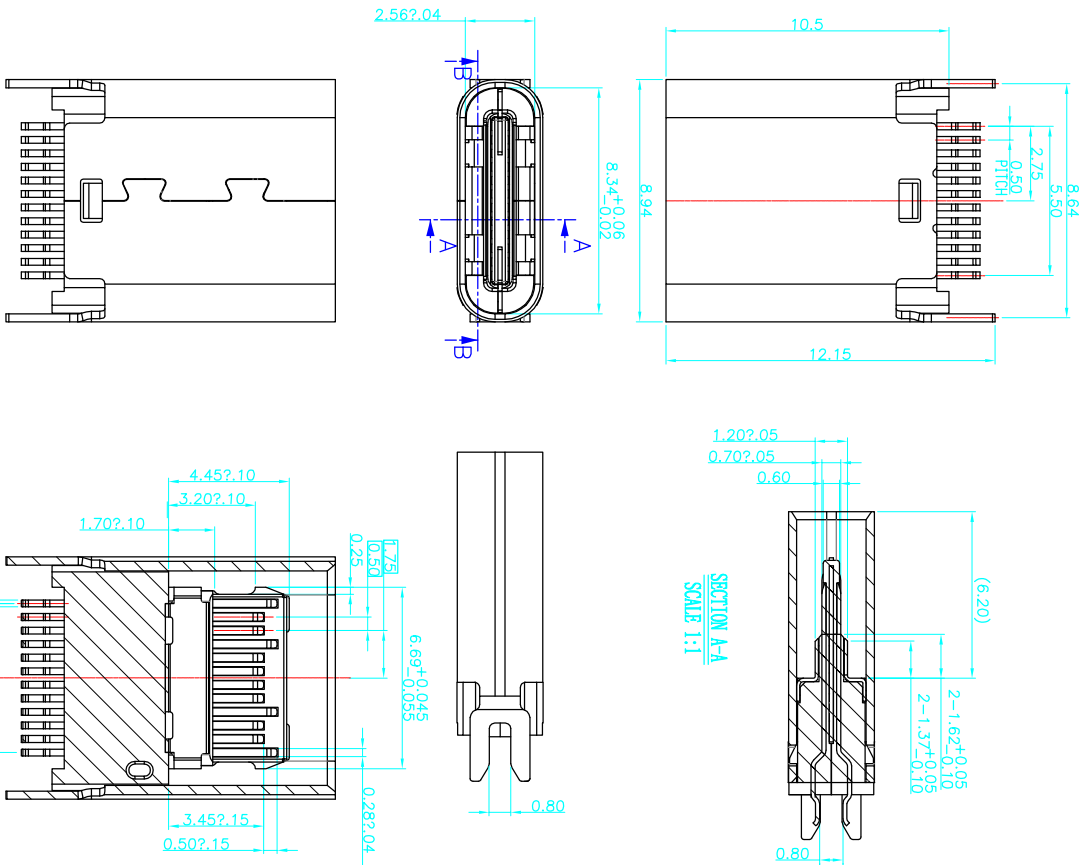
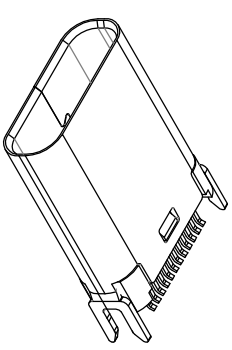


# ROHS 客户图



- NOTES:
- MATERIAL: MOLDING: LCP UL94 V-0  
CONTACT: COPPER ALLOY.  
GOLD PLATING ALL OVER 50u" Min NICKEL AND 100u" Min Tin ALL OVER 50u" Min NICKEL ON SOLDER AREA
  - MECHANICAL: SHELL: SUS304-H,T=0.30±0.03mm 50u" NICKEL PLATING OVER ALL. SHILD: SUS304-H,T=0.12±0.03mm
  - ELECTRICAL: INSERTION: 5~20N. EXTRACTON: 8~20N. DURABILITY: 10000 CYCLES
  - ENVIRONMENTAL: CURRENT: 5A MIN FOR VBUS; 0.25A MIN FOR OTHER. VOLTAGE: 20 V MAX WITHSTANDING VOLTAGE: 100V AC. CONTACT RESISTANCE: 40mΩ MAX. INSULATION RESISTANCE: 100MΩ MIN.



产品图  
PRODUCT CHART DWG

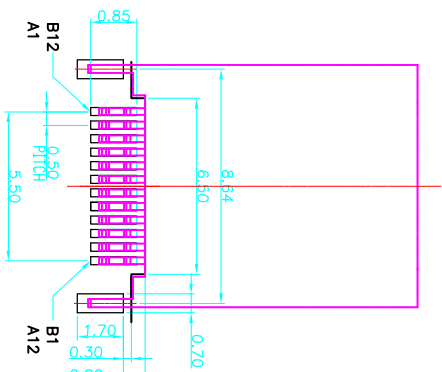
深圳市鑫风雷电子有限公司

公差一览表		单位	MM	制图	王冠	产品料号	XFJF001-UCAR002-X	
TOLERANCE UNLESS OTHERWISE	UNITS	SCALE	DATE	DRAWING	审核	雷永健	产品名称	TYPE C母座夹板0.8 L=10.5
X ±0.30	X'	±5°					角法	版本
X ±0.25	X'	±2°	2009/10/20				角法	版本
XX ±0.30	XX'	±1°					角法	版本
XXX ±0.15	XXX'	±0.5°					角法	版本

# ROHS 客户图

目錄 MAPX	變更內容 MODIFICATION	日期 DATE
A0	NEW	09-10-20

RECOMMENDED P.C.B. LAYOUT (T:1.00mm)  
TOLERANCE UNSPECIFIED ±0.05mm



PIN	Signal Name	Description	PIN	Signal Name	Description
A1	GND	Ground return	B12	GND	Ground return
A2	SSTXp1	Positive half of first SuperSpeed TX differential pair	B11	SSRXp1	Positive half of first SuperSpeed RX differential pair
A3	SSTXn1	Negative half of first SuperSpeed TX differential pair	B10	SSRXn1	Negative half of first SuperSpeed RX differential pair
A4	Vbus	Bus Power	B9	Vbus	Bus Power
A5	CC1	Configuration Channel 1	B8	SBU2	Sideband Use (SBU)
A6	Dp1	Positive half of the USB 2.0 differential pair-Position 1	B7	Dn2	Negative half of the USB 2.0 differential pair-Position 2
A7	Dn1	Negative half of the USB 2.0 differential pair-Position 1	B6	Dp2	Positive half of the USB 2.0 differential pair-Position 2
A8	SBU1	Sideband Use (SBU)	B5	CC2	Configuration Channel
A9	Vbus	Bus Power	B4	Vbus	Bus Power
A10	SSRXp2	Negative half of second SuperSpeed RX differential pair	B3	SSTXn2	Negative half of second SuperSpeed TX differential pair
A11	SSRXp2	Positive half of second SuperSpeed RX differential pair	B2	SSTXp2	Positive half of second SuperSpeed TX differential pair
A12	GND	Ground return	B1	GND	Ground return

## 产品图

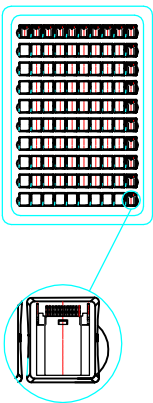
公差一览表  
TOLERANCE UNLESS OTHERWISE SPECIFIED

公差一览表 TOLERANCE UNLESS OTHERWISE SPECIFIED	单位 UNITS	比例 SCALE	日期 DATE	制图 DRAWING	审核 CHKD	核准 APPD	产品料号 PRODUCT PART NO.	产品名称 PRODUCT NO.	角法 VIEW	版本 VER
X	±0.30	X'	±5°	王冠	雷永健	雷永健	XFLPF001-UCAP002-X	TYPE C母座夹板0.8 L=10.5	⊕	A0
X	±0.25	X'	±2°							
XX	±0.30	XX'	±1°							
XXX	±0.15	XXX'	±0.5°							

# ROHS 客户图

將成品依同一方向放入真空盤內,如圖所示:

At same direction, put product onto the tray.  
Direction refers to below drawing.



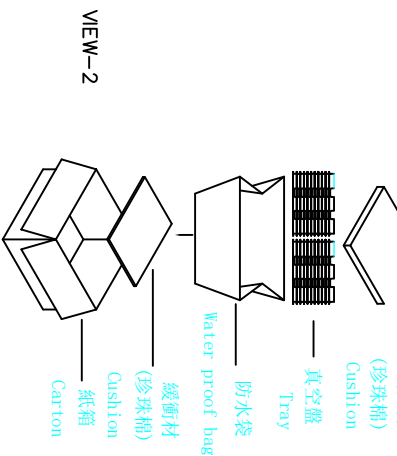
VIEW-1

- 1) 一只紙箱可放置之包裝盤(包括上蓋)見下表
- 1) trays per carton, please see next table.

2). 每1個紙箱用的包裝數量詳見下表。

2) The Qty of products per carton please see next table.  
將裝滿成品的真空盤用 PE帶捆緊後放在塑膠袋內(10盤一捆),裝完後再封箱。

- 3) Bind the trays with PE tape and then( a bundle of 10 trays ),put them into the poly bag. Seal the carton with tape.



VIEW-2

## 包裝明細表

(The detail of the packing)

產品料號 (Product No.)	包裝容量 (Packing Capacity)		重量 (Weight (Kg))	
	pcs/box	boxes/Carton	Pcs/Box	N.W./Pcs N.W./Box G.W./Box
	100	70	7000	

## 產品圖

PRODUCT CHAIR DWG

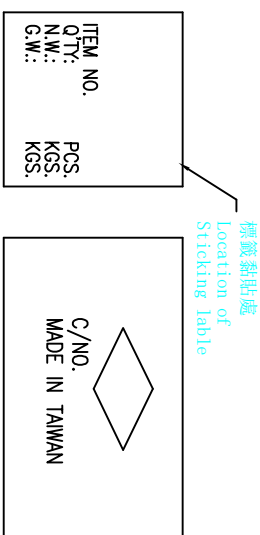
### 公差一覽表

TOLERANCE	UNITS	OTHERWISE
X	±0.30	X'
X	±0.25	X''
XX	±0.30	XX'
XXX	±0.15	XXX'

## 深圳市鑫风雷电子有限公司

單位 UNITS	MM	制圖 DRAWING	王冠	產品料號 PRODUCT PART NO.	XFLEF001-UCAP002-X
比例 SCALE	1:1	審核 CHKD	雷永健	產品名稱 PRODUCT NO.	TYPE C母座夾板0.8 L=10.5
日期 DATE	2009/10/20	核准 APPD	雷永健	角法 VIEW	版本 VER
					A0

- 1). 將標籤貼於紙箱側上方  
Stick the needful label On the up-right corner of the side of carton.



VIEW-3

### 備註(REMARK)

1. 若有未裝滿之零數箱,必須以緩衝材塞滿。  
The unfilling-carton must be filled with assuagement.
2. 防水袋需用膠帶貼實且封口。  
waterproof plastic bag must be folded up.
3. 裝滿成品后之外箱,最大堆積箱數: 5箱  
About the box fully filled with products, the MAX accumulating quantity of boxes is 5.
4. 如須貼Bar-code,請依Bar-code作業辦法執行  
If barcode labile is required,do it according to the related barcode labile operation standards.