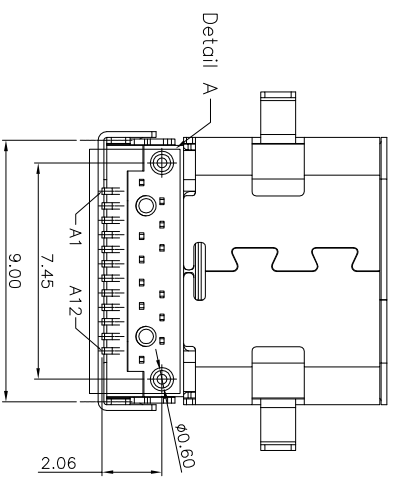
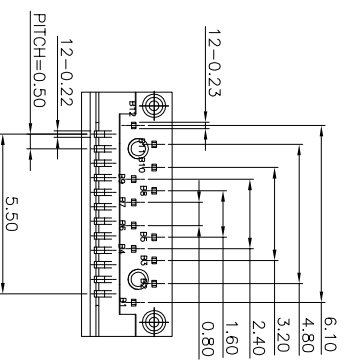
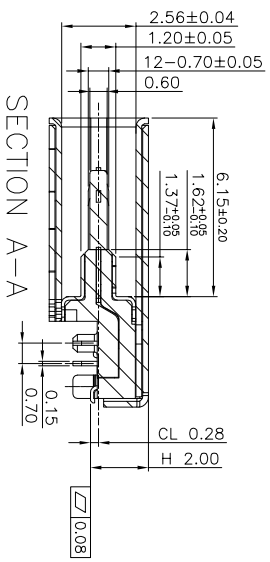
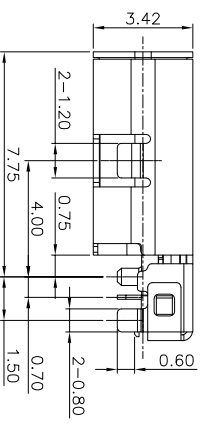
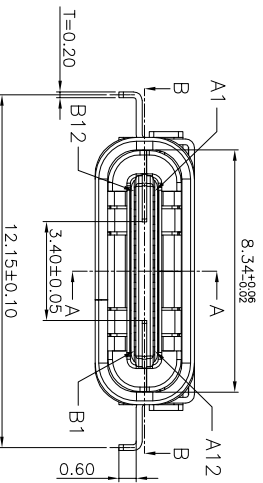
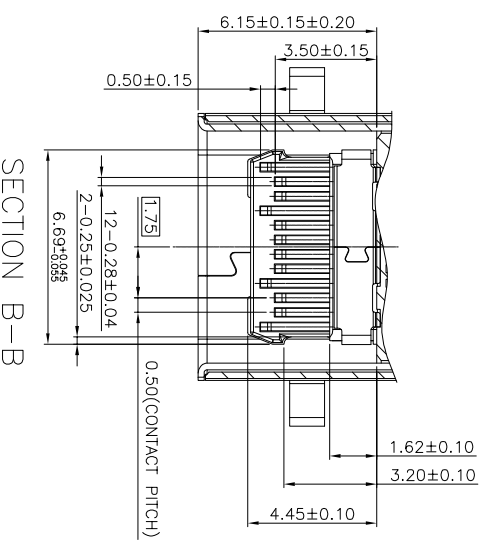
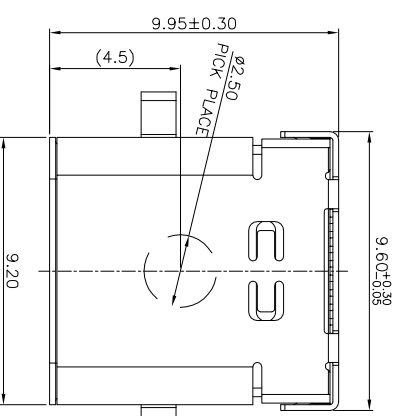


ROHS 客户图



NOTES: 1. MATERIAL:

MOLDING: LCP UL94 V-0
CONTACT: COPPER ALLOY.

GOLD PLATED Min ON CONTACT AREA, 100u”

Min TIN (LEAD FREE) ON SOLDER AREA,

SHELL: SUS304-H, T=0.30±0.03mm

50u” NICKEL PLATING OVER ALL.

SHLD: SUS304-H, T=0.12±0.03mm

2. MECHANICAL:

INSERTION: 5~20N.

EXTRACTION: 8~20N.

DURABILITY: 10000 CYCLES

3. ELECTRICAL:

CURRENT: 5A MIN FOR VBUS;

0.25A MIN FOR OTHER.

VOLTAGE: 20 V MAX

WITHSTANDING VOLTAGE: 100V AC.

CONTACT RESISTANCE: 40mΩ MAX.

INSULATION RESISTANCE: 100MΩ MIN.

4. ENVIRONMENTAL

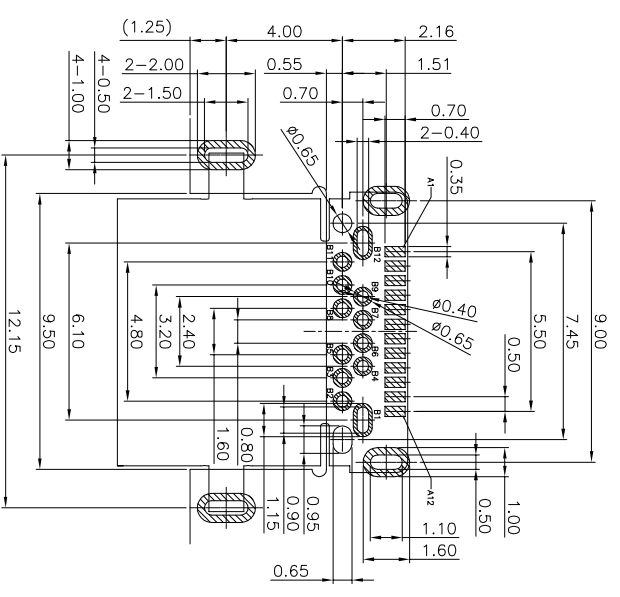
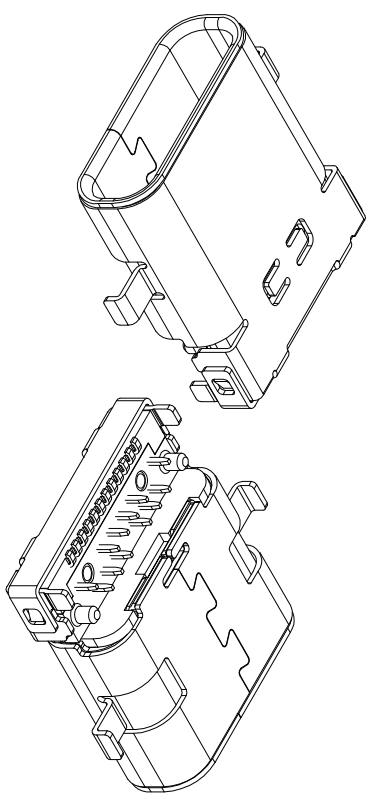
TEMPERATURE RANGE -55°C ~ +85°C

产品图 PRODUCT CHART DWG		单位 UNITS		MM	制图 DRAWING	王冠	产品料号 PRODUCT PART NO.	XFLF001-UCAP012-X
公差一览表 TOLERANCE UNLESS OTHERWISE		X	±0.30	X'	±5°	审核 CHECK	产品名称 PRODUCT NO.	TYPE C 原装双壳充电器模块DIT-SMT 24P L=10.0
X	±0.25	X'	±2°	比例 SCALE	1:1	核准 APPD	雷永健	版本 VER
XXX	±0.15	XXX'	±0.5°	日期 DATE	2009/10/20	雷永健	角法 VIEW	A0

深圳市鑫风雷电子有限公司

目錄 MAPX	变更内容 MODIFICATION	日期 DATE
A0	NEW	09-10-20

ROHS 客户图



RECOMMEND P.C.B LAYOUT(COMPONENT SIDE)
TOLERANCE FOR PCB LAYOUT IS ± 0.05
KEEP OUT ARE

USB TYPE-C FULL-FEATURED RECEPTACLE INTERFACE PIN ASSIGNMENTS

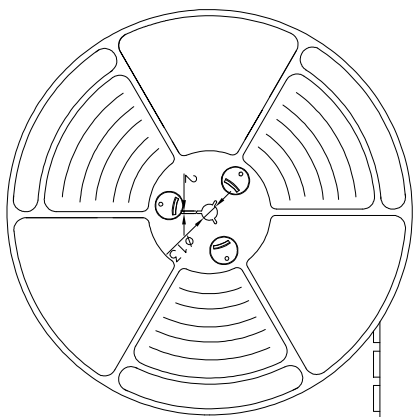
PIN	Signal Name	Description	PIN	Signal Name	Description
A1	GND	Ground return	B12	GND	Ground return
A2	SSTxp1	Positive half of first SuperSpeed TX differential pair	B11	SSRXp1	Positive half of first SuperSpeed RX differential pair
A3	SSTxm1	Negative half of first SuperSpeed TX differential pair	B10	SSRXm1	Negative half of first SuperSpeed RX differential pair
A4	Vbus	Bus Power	B9	Vbus	Bus Power
A5	CC1	Configuration Channel	B8	SBU2	Sideband Use (SBU)
A6	Dp1	Positive half of the USB 2.0 differential pair-Position 1	B7	Dn2	Negative half of the USB 2.0 differential pair-Position 2
A7	Dn1	Negative half of the USB 2.0 differential pair-Position 1	B6	Dp2	Positive half of the USB 2.0 differential pair-Position 2
A8	SR01	Sideband Use (SR0)	B5	CC2	Configuration Channel
A9	Vbus	Bus Power	B4	Vbus	Bus Power
A10	SSRXm2	Negative half of second SuperSpeed RX differential pair	B3	SSTXm2	Negative half of second SuperSpeed TX differential pair
A11	SSRXp2	Positive half of second SuperSpeed RX differential pair	B2	SSTXp2	Positive half of second SuperSpeed TX differential pair
A12	GND	Ground return	B1	GND	Ground return

产品图

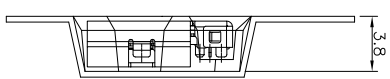
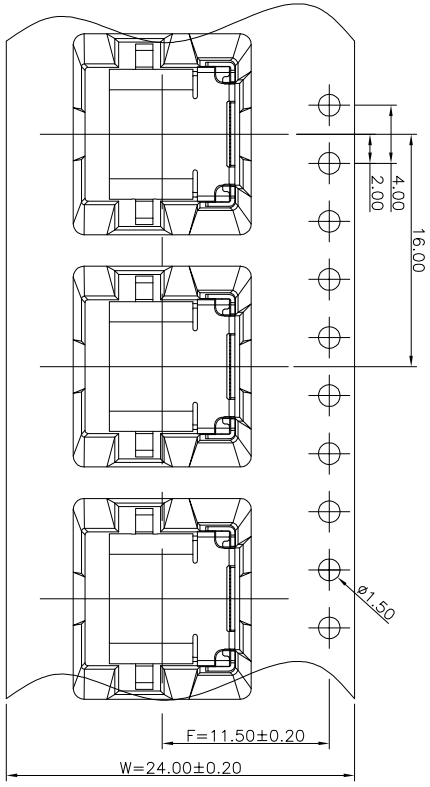
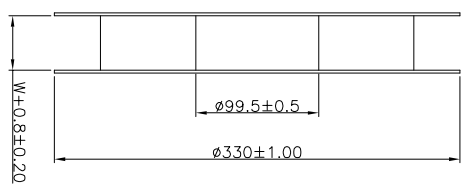
公差一览表

TOLERANCE UNLESS OTHERWISE SPECIFIED	公差一览表	单位 UNITS	MM	制图 DRAWING	王冠	产品料号 PRODUCT PART NO.	XFJF001-UCAF012-X
X	±0.30	X'	±5°	审核 CHKD	雷永健	产品名称 PRODUCT NO.	TYPE C母座沉板双壳前插后插D19-SMT 24P L=10.0
X	±0.25	X'	±2°	核准 APPD	雷永健	角法 VIEW	
XX	±0.30	XX'	±1°	日期 DATE	2009/10/20	版本 VER	A0
XXX	±0.15	XXX'	±0.5°				

ROHS 客户图

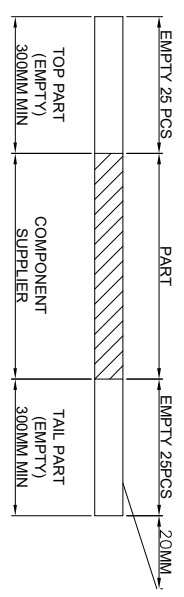


出料方向
PULL OUT DIRECTION

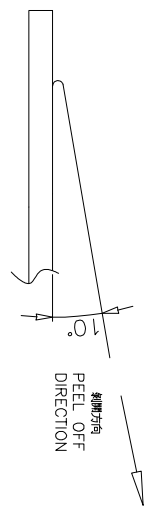


NOTES

1. 帶子引導長度
LEAD TAPE LENGTH
出料方向
PULL OUT DIRECTION



2. 上帶 剝力力為: 0.1~1.3N(10.2gf~130gf)
PEELING OFF FORCE OF TOP TAPE: 0.1~1.3N(10.2gf~130gf)
出貨運輸過程中一定注意:
THIS REQUIREMENT SHOULD BE APPLIED AT SHIPMENT:
卷帶在運輸過程中不能散開
PEELING OFF SHOULD NOT BE ALLOWED DURING TRANSPORTATION



產品圖

深圳市鑫风雷电子有限公司

公差一览表
TOLERANCE UNLESS OTHERWISE

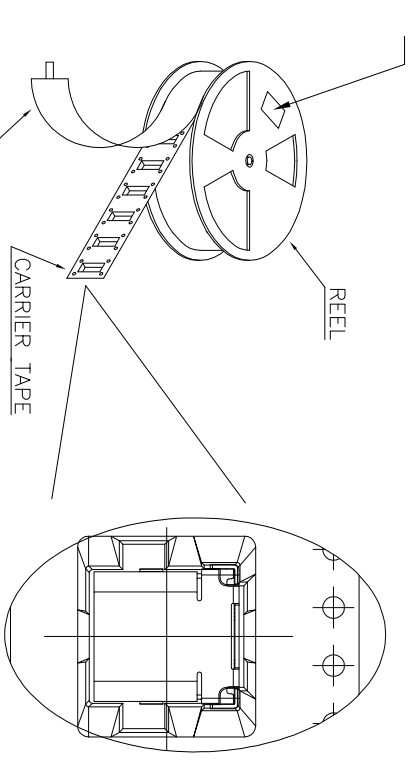
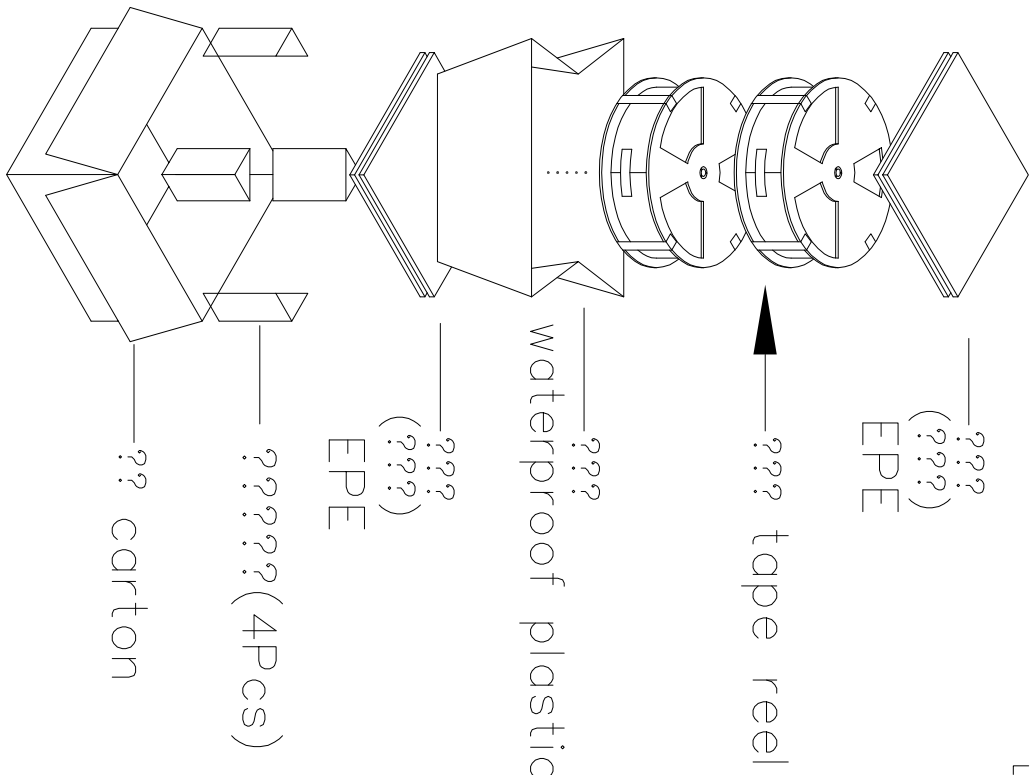
X	±0.30	X'	±5°
X	±0.25	X'	±2°
XX	±0.30	XX'	±1°
.XXX	±0.15	.XXX'	±0.5°

單位 UNITS	MM	制圖 DRAWING	王冠	產品料號 PRODUCT PART NO.	XFLF001-UCAF012-X
比例 SCALE	1:1	審核 CHECK	雷永健	產品名稱 PRODUCT NO.	TYPE C 母座沉板 双壳前插后插DIP-SMT 2HP L=1.0.0
日期 DATE	2009/10/20	核准 APPD	雷永健	角法 VIEW	版本 VER
					A0

RoHS 客户图

目錄 MAPX A0	變更內容 MODIFICATION NEW	日期 DATE 09-10-20
------------------	-----------------------------	------------------------

at small positioning hole of the carrier tape side).
 ??? (?????????????)
 Location of label sticking (label



- NOTE:
1. 每捲包裝數量及每箱裝箱數量如左下表格
Packing qty of each reel & carton as below table shown.
 2. 以上膠帶覆蓋下包裝帶經包裝機熱熔包裝
Use cover tape to cover and hot melt machine to seal up.
 3. 每個紙箱放2個珍珠棉
Every carton use 2pcs EPE.
 4. 將裝滿產品的卷盤放入紙箱並以膠帶封口
Put reels in the carton and use adhesive tape to seal up.

產品圖

公差一览表

深圳市鑫风雷电子有限公司

TOLERANCE UNLESS OTHERWISE	X	X'	X''	X'''	比例 SCALE	日期 DATE	制圖 DRAWING	審核 CHKD	核准 APPD	產品料號 PRODUCT PART NO.	產品名稱 PRODUCT NO.	角法 VIEW	版本 VER
±0.30	X	±5°	±2°	.XXX	1:1	2009/10/20	王冠	雷永健	雷永健	XFLF001-UCAF012-X	TYPE C每盤放6個元件的插齒輪011-SMT 24P L=10.0	⊕	A0

包裝容重 (PACKING CAPACITY)	重量 WEIGHT (Kg)
PCS/REEL	N.W./PCS
REELS/CARTON	N.W./BOX
PCS/CARTON	G.W./BOX
1000	8
8000	