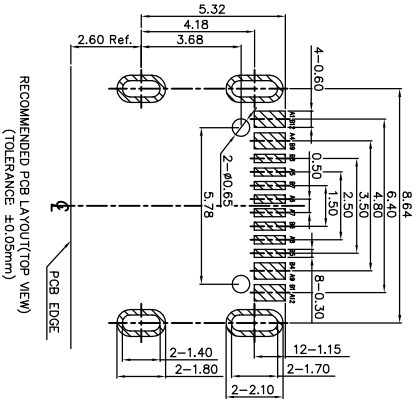
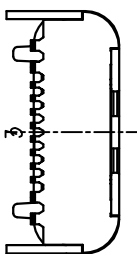
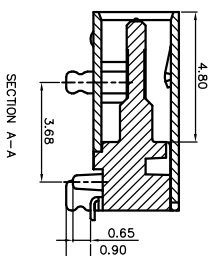
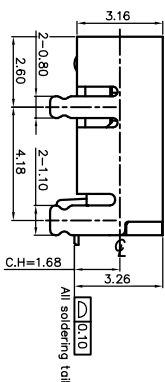
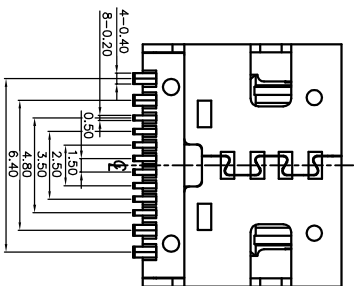
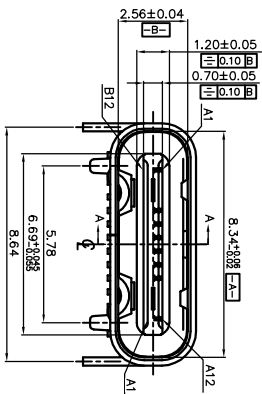
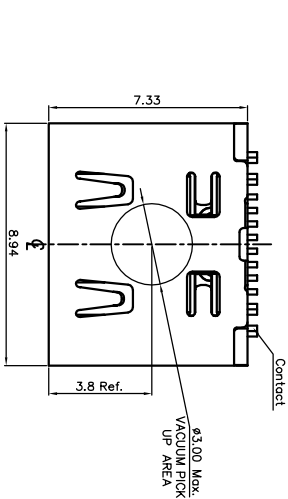
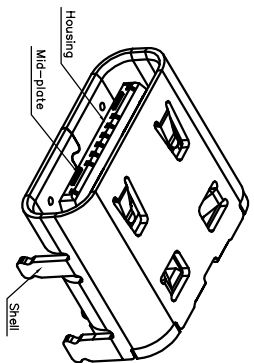


RoHS 客户图



PIN ASSIGNMENT:

PIN NO.	Signal Name	PIN NO.	Signal Name
A1	GND	B12	GND
A4	VBUS	B9	VBUS
A5	CC1	B8	SBUS
A6	DP1	B7	DN2
A7	DN1	B6	DP1
A8	SBUS	B5	CC2
A9	VBUS	B4	VBUS
A12	GND	B1	GND

- Materials
 - Housing: LCP, Black, UL94 V-0;
 - Contact: High conductivity copper alloy, Gold Plating of mating area & solder tail, oil over Nickel;
 - Shell: Stainless steel, oil over Nickel;
 - Mid-Plate: stainless steel,
- Rating
 - Voltage Rating: 5V AC;
 - Current Rating: 5A ;
 - Operating Temperature: -40℃ ~ 85℃
- Electrical Requirement:
 - ILCR: 40mΩ Max.(Initial), 50mΩ Max.(Final);
 - Dielectric Withstanding Voltage: 100V AC (RMS) for 1 minute;
 - Insulation Resistance: 100MΩ Min. @ 500V DC;
- Mechanical Performance:
 - Insertion force: 5~20N. (from 1~10,000 Cycles);
 - Withdrawal force: 8~20N.(from 1~1,000 Cycles); 6~20N.(from 1,001~10,000 Cycles);
 - Durability life: 10,000 Cycles;

Notes:

- Materials
 - Housing: LCP, Black, UL94 V-0;
 - Contact: High conductivity copper alloy, Gold Plating of mating area & solder tail, oil over Nickel;
 - Shell: Stainless steel, oil over Nickel;
 - Mid-Plate: stainless steel,

产品图

深圳市鑫风雷电子有限公司

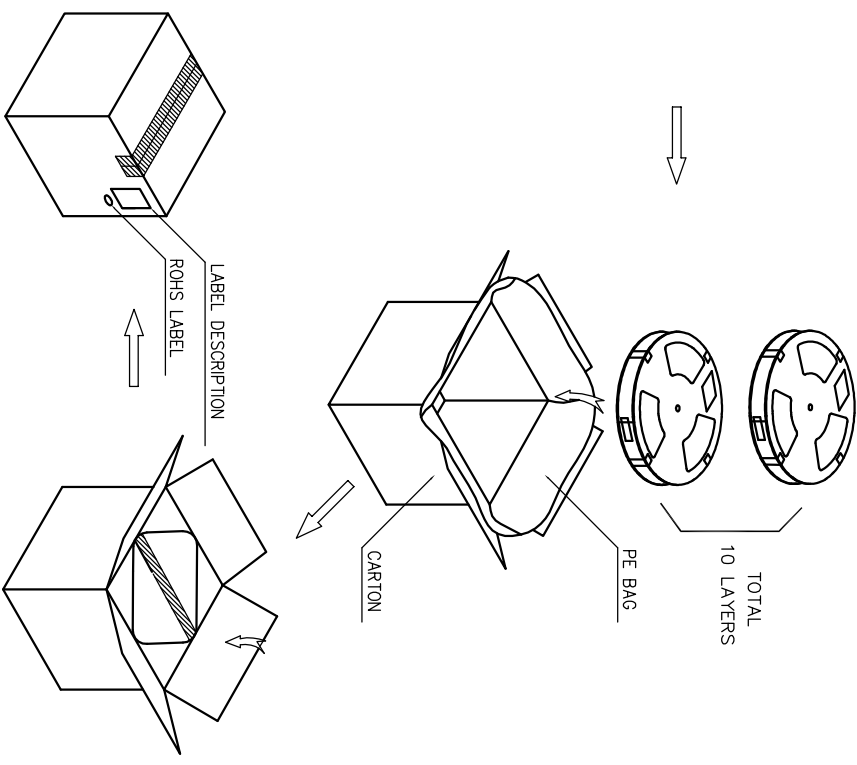
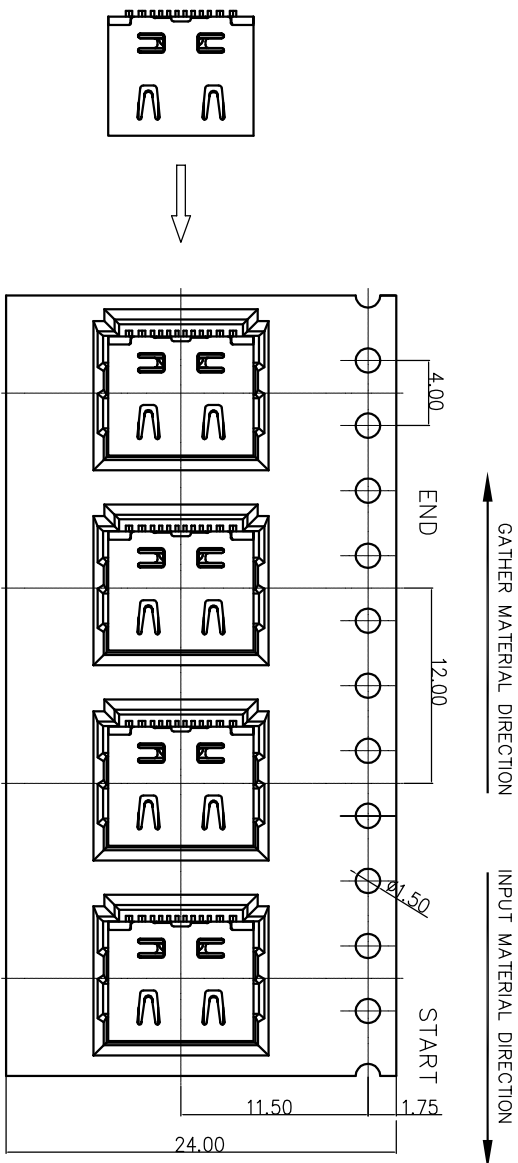
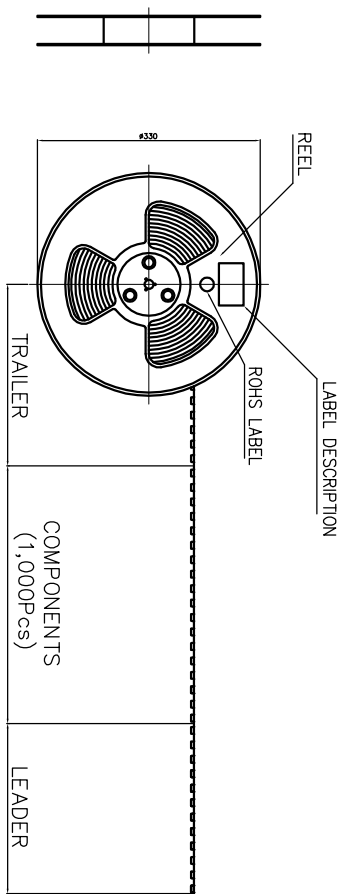
公差一览表		单位	MM	制图	王冠	产品料号	XF1P003-UCAP001-X
TOLERANCE UNLESS OTHERWISE	UNITS	SCALE	1:1	审核	雷永健	产品名称	TYPE C母座板上单排16P
X	±0.30	X'	±5'	核准 <th>雷永健</th> <th>画法</th> <th>版本</th>	雷永健	画法	版本
X	±0.25	X''	±2'	日期 <td>2009/10/20 <td>视图 <td>A0</td> </td></td>	2009/10/20 <td>视图 <td>A0</td> </td>	视图 <td>A0</td>	A0
XX	±0.30	XX'	±1'	日期 <td>2009/10/20 <td>视图 <td>A0</td> </td></td>	2009/10/20 <td>视图 <td>A0</td> </td>	视图 <td>A0</td>	A0
XXX	±0.15	XXX'	±0.5'	日期 <td>2009/10/20 <td>视图 <td>A0</td> </td></td>	2009/10/20 <td>视图 <td>A0</td> </td>	视图 <td>A0</td>	A0

1 2 3 4 5 6 7 8 9 10

RoHS

客户图

目錄 MAPX	變更內容 MODIFICATION	日期 DATE
A0	NEW	09-10-20



- NOTES:
1. THE START AND END OF EACH REEL,BASED ON THE ACTUAL QUANTITY RESERVED 20--25PCS SPACE;
 2. PEEL OFF FORCE OF TOP TAPE: 10g~130g, PEEL DEG.:165度 75°;
 3. PEEL SPEED:250~300MM /MIN.
 4. CARTON SIZE: 350*350*315MM.
 5. QTY: 1,000PCS/REEL, 10REEL/CARTON, TOTAL 10,000PCS/CARTON.

公差一览表		单位		制图		王冠		产品料号	
TOLERANCE UNLESS OTHERWISE		UNITS		DRAWING		CORONA		PRODUCT PART NO.	
X	±0.30	X'	±5'	审核	雷永健	产品名称	TYPE	XF1P003-UCAR001-X	单排16P
.XX	±0.30	.XX'	±2'	核准	雷永健	角法	TYPE	C	母座板上
.XXX	±0.15	.XXX'	±1.5'	日期	2009/10/20	版本	VERSION	A0	

深圳市鑫风雷电子有限公司