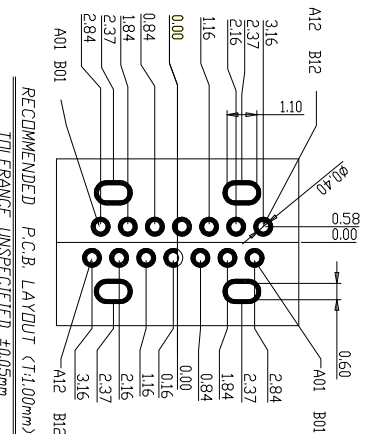
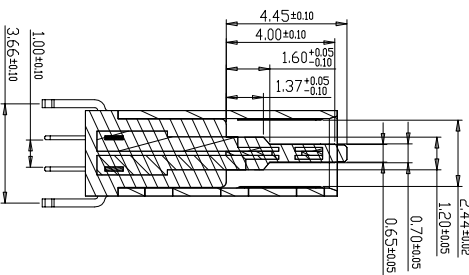
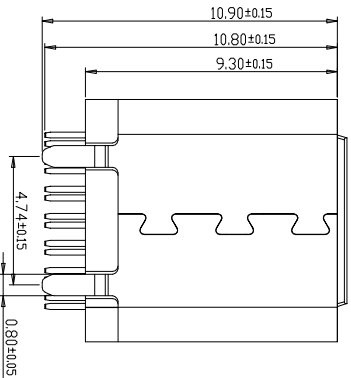
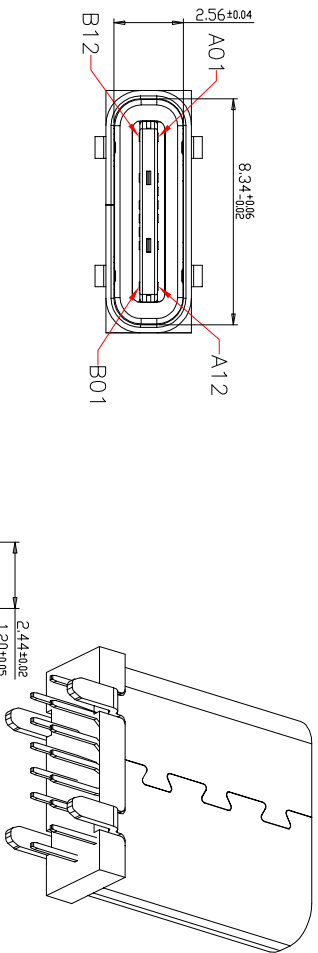


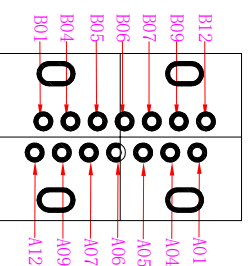
RoHS 客户图

目錄 MAPX	變更內容 MODIFICATION	日期 DATE
A0	NEW	09-10-20

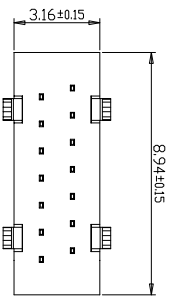


RECOMMENDED PCB LAYOUT (T1.00mm)

TOLERANCE UNSPECIFIED ±0.05mm



截面 1-1



A1	GND	B12	GND
A4	VBUS	B9	VBUS
A5	CCI		
A6	DP1	B7	DP2
A7	DN1	B6	DN2
A9	VBUS	B5	CC2
A12	GND	B4	VBUS
		B1	GND
PN	SIGNAL NAME	PN	SIGNAL NAME

产品图

深圳市鑫风雷电子有限公司

PRODUCT CHART DWG

公差一览表

公差	单位	比例
±0.30	MM	1:1
±0.25	MM	±2°
±0.30	MM	±1°
±0.15	MM	±0.5°

NO.	DESCRIPTION	MATERIAL	REMARKS	QTY
6	SHELL	STAINLESS STEEL	Ni Plated	IPCS
5	SHIELDING PLATE	STAINLESS STEEL	---	IPCS
4	MD	HIGH TEMPERATURE PLASTIC	BLACK	IPCS
3	CONTACT	COPPER ALLOY	Au/Ni Plated	1SET
2	CONTACT	COPPER ALLOY	Au/Ni Plated	1SET
1	HOUSING	HIGH TEMPERATURE PLASTIC	BLACK	IPCS

单位 UNITS	MM	制图 DRAWING	王冠	产品料号 PRODUCT PART NO.	XFLJ012-UCAF001-A
比例 SCALE	1:1	审核 CHKD	雷永健	产品名称 PRODUCT NO.	TYPE C 14P母座180度 H=9.3
日期 DATE	2009/10/20	核准 APPD	雷永健	角法 VIEW	版本 VER
					A0

SPECIFICATIONS:

- ELECTRICAL CHARACTERISTICS:
 - CONTACT RESISTANCE: 30mΩ MAX.
 - DIELECTRIC WITHSTANDING VOLTAGE: 100V AC FOR ONE MINUTE.
 - INSULATION RESISTANCE: 100MΩ MIN. MEASURED BY 500 VDC.
- MECHANICAL CHARACTERISTICS:
 - INSERTION FORCE :0.5-2.0KG(FREF)
 - WITHDRAWAL FORCE :0.8-2.0KG(FREF)
- LIFE TEST: 10,000 CYCLES.
- TO CONFORM TO THE KCDCNN HAZARDOUS SUBSTANCE FREE SPEC.