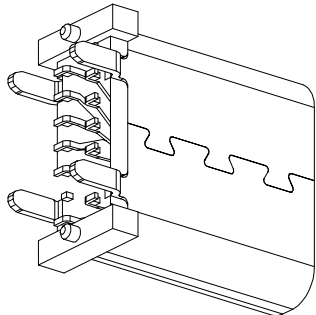
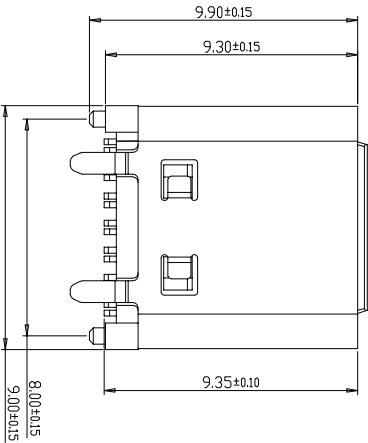
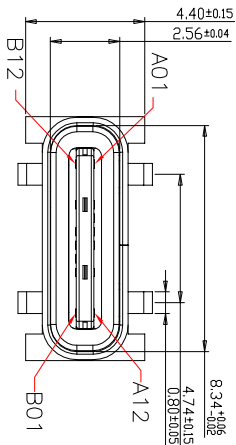
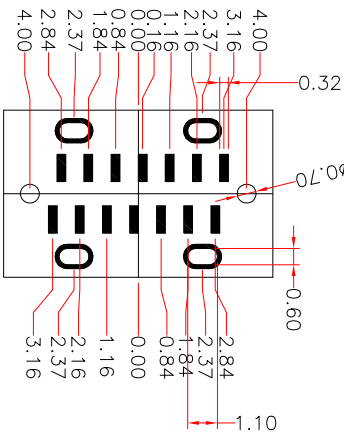


RoHS 客户图



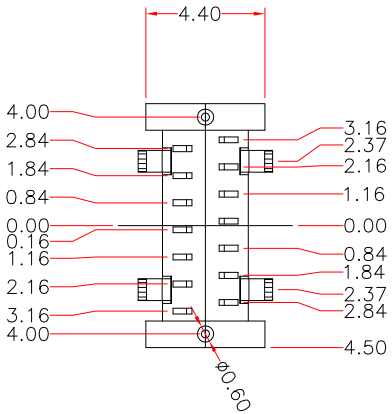
SPECIFICATIONS:

- ELECTRICAL CHARACTERISTICS:
 - CONTACT RESISTANCE: 30mΩ MAX.
 - DIELECTRIC WITHSTANDING VOLTAGE: 100V AC FOR ONE MINUTE.
 - INSULATION RESISTANCE: 100MΩ MIN. MEASURED BY 500 VDC.
- MECHANICAL CHARACTERISTICS:
 - INSERTION FORCE: 0.5~2.0kgf(REF.)
 - WITHDRAWAL FORCE: 0.8~2.0kgf(REF.)
 - LIFE TEST: 10,000 CYCLES.
 - TO CONFORM TO THE KRCCDN HAZARDOUS SUBSTANCE FREE SPEC.



RECOMMENDED PCB LAYOUT (T:1.00mm)
TOLERANCE UNSPECIFIED ±0.05mm

截面 1-1



A1	GND	B12	GND
A4	VBUS	B9	VBUS
A5	CCI	B7	DNP
A6	DNP	B6	DNP
A7	DNP	B5	CC2
A9	VBUS	B4	VBUS
A12	GND	B1	GND
PN	SIGNAL NAME	PN	SIGNAL NAME

产品图

深圳市鑫风雷电子有限公司

公差一览表		单位	MM
TOLERANCE UNLESS OTHERWISE SPECIFIED	X	±0.30	±5°
	.X	±0.25	±2°
	.XX	±0.30	XX°
	.XXX	±0.15	XXX°
比例	1:1	日期	2009/10/20
制图	王冠	审核	雷永健
产品料号	XFJ1012-UCAF005-A	角法	第三角法
产品名称	TYPE C 14P母座180度SMT	版本	A0
产品图号		版本	
产品图号		版本	
产品图号		版本	

NO.	DESCRIPTION	MATERIAL	REMARKS	QTY
6	SHELL	STAINLESS STEEL	Ni Plated	1PCS
5	SHIELDING PLATE	STAINLESS STEEL	---	1PCS
4	MD	HIGH TEMPERATURE PLASTIC	BLACK	1PCS
3	CONTACT	COPPER ALLOY	Au/Ni Plated	1SET
2	CONTACT	COPPER ALLOY	Au/Ni Plated	1SET
1	HOUSING	HIGH TEMPERATURE PLASTIC	BLACK	1PCS