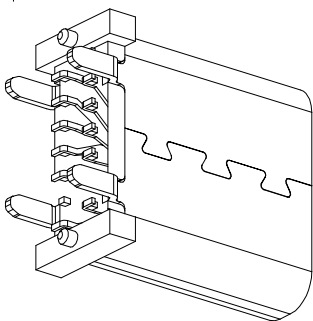
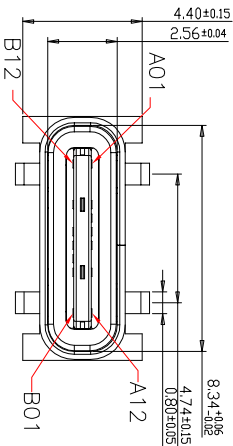
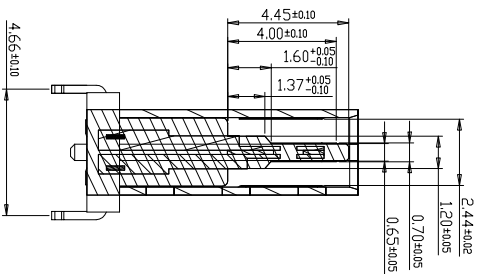
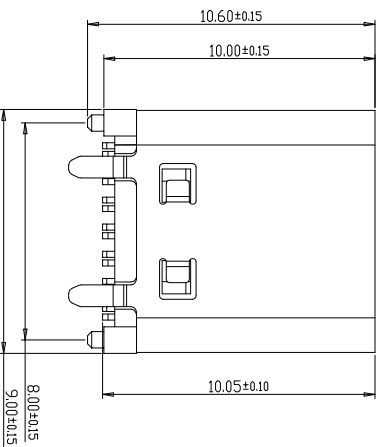


RoHS 客户图

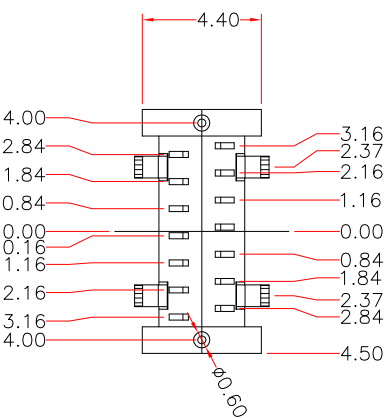
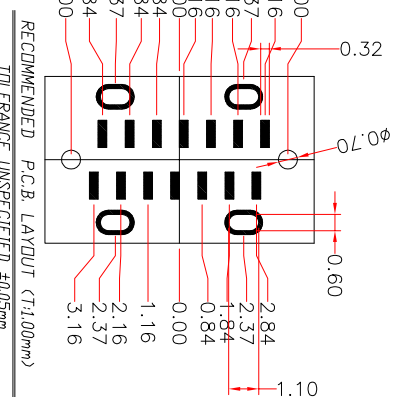
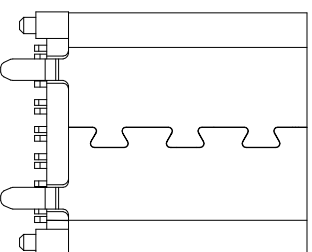
目錄 MAPX A0	變更內容 MODIFICATION NEW	日期 DATE 09-10-20
------------------	-----------------------------	------------------------



- SPECIFICATIONS:
- ELECTRICAL CHARACTERISTICS:
 - 1-1. CONTACT RESISTANCE: 30mΩ MAX.
 - 1-2. DIELECTRIC WITHSTANDING VOLTAGE: 100V AC FOR ONE MINUTE.
 - 1-3. INSULATION RESISTANCE: 100MΩ MIN. MEASURED BY 500 VDC.
 - MECHANICAL CHARACTERISTICS:
 - 2-1. INSERTION FORCE: 0.5-2.0kgf(REF.)
 - 2-2. WITHDRAWAL FORCE: 0.8-2.0kgf(REF.)
 - LIFE TEST: 10,000 CYCLES.
 - TO CONFORM TO THE KRODINN HAZARDOUS SUBSTANCE FREE SPEC.



截面 1-1



A1	GND	B12	GND
A4	VBUS	B9	VBUS
A5	CCI		
A6	DPI	B7	DNI
A7	DNI	B6	DPE
A9	VBUS	B5	CC2
A12	GND	B4	VBUS
		B1	GND
PIN	SIGNAL NAME	PIN	SIGNAL NAME

产品图

深圳市鑫风雷电子有限公司

公差一览表

公差一览表	单位	比例	日期	制图	审核	核准	产品料号
TOLERANCE UNLESS OTHERWISE	UNITS	SCALE	DATE	DRAWING	CHKD	APPD	PRODUCT PART NO.
X	±0.30	X	±5°	王冠	雷永健	雷永健	XFLJ012-UCAF006-A
.XX	±0.25	.X	±2°				
.XXX	±0.15	.XXX	±1°				
	±0.15	.XXX	±0.5°				

6	SHELL	STAINLESS STEEL	Ni Plated	IPCS
5	SHIELDING PLATE	STAINLESS STEEL	---	IPCS
4	MD	HIGH TEMPERATURE PLASTIC	BLACK	IPCS
3	CONTACT	COPPER ALLOY	Au/Ni Plated	ISST
2	CONTACT	COPPER ALLOY	Au/Ni Plated	ISST
1	HOUSING	HIGH TEMPERATURE PLASTIC	BLACK	IPCS
NO.	DESCRIPTION	MATERIAL	REMARKS	QTY