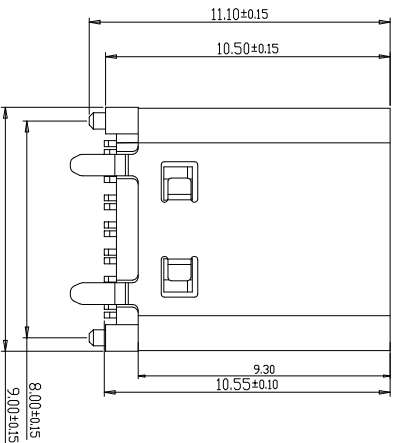
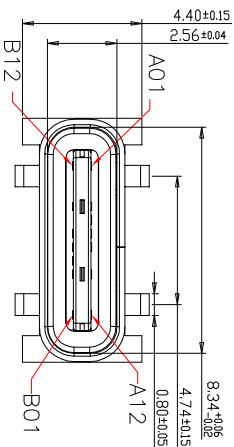
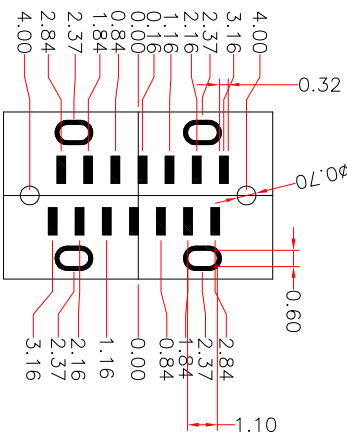
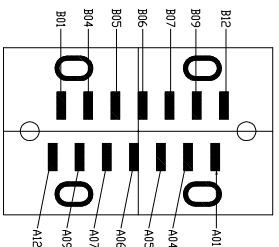
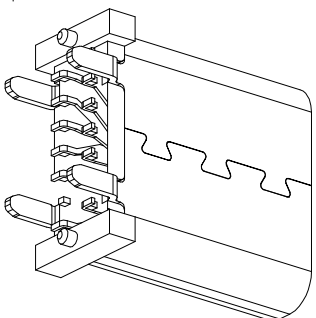


# RoHS 客户图

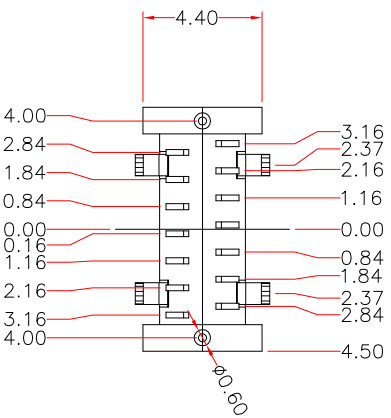


截面 1-1



RECOMMENDED PCB LAYOUT (T:1.00mm)  
TOLERANCE UNSPECIFIED ±0.05mm

- SPECIFICATIONS:
- ELECTRICAL CHARACTERISTICS:
    - CONTACT RESISTANCE: 30mΩ MAX.
    - DIELECTRIC WITHSTANDING VOLTAGE: 100V AC FOR ONE MINUTE.
    - INSULATION RESISTANCE: 100MΩ MIN. MEASURED BY 500 VDC.
  - MECHANICAL CHARACTERISTICS:
    - INSERTION FORCE: 0.5-2.0kgf(REF.)
    - WITHDRAWAL FORCE: 0.8-2.0kgf(REF.)
  - LIFE TEST: 10,000 CYCLES.
  - DO CONFORM TO THE ROHS/REACH HAZARDOUS SUBSTANCE FREE SPEC.



A1	GND	B12	GND
A4	VBUS	B9	VBUS
A5	CCI		
A6	DP1	B7	DP2
A7	DN1	B6	DN2
		B5	CC2
A9	VBUS	B4	VBUS
A12	GND	B1	GND
PN	SIGNAL NAME	PN	SIGNAL NAME

## 产品图

## 深圳市鑫风雷电子有限公司

### 公差一览表

公差一览表	单位	MM	制图	王冠	产品料号	XFLJ012-UCAF007-A
PRODUCT CHART DWG	UNITS		DRAWING	审核	产品名称	TYPE C 14P母座180度SMT H=10.5
TOLERANCE UNLESS OTHERWISE	SCALE	1:1	CHD	雷永健	PRODUCT NO.	
.XX ±0.30	DATE	2009/10/20	核准	雷永健	角法	
.X ±0.25			APPD		版本	A0
.XXX ±0.15					VIEW	

NO.	DESCRIPTION	MATERIAL	REMARKS	QTY
6	SHELL	STAINLESS STEEL	Ni Plated	1PCS
5	SHIELDING PLATE	STAINLESS STEEL	---	1PCS
4	MD	HIGH TEMPERATURE PLASTIC	BLACK	1PCS
3	CONTACT	COPPER ALLOY	Au/Ni Plated	1SET
2	CONTACT	COPPER ALLOY	Au/Ni Plated	1SET
1	HOUSING	HIGH TEMPERATURE PLASTIC	BLACK	1PCS