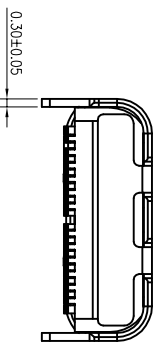
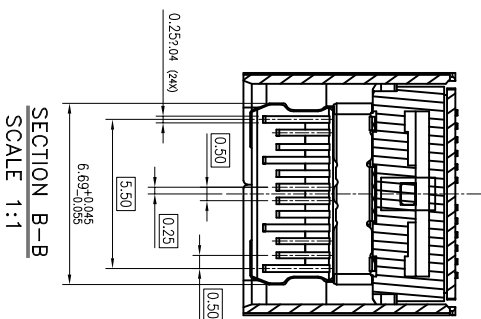
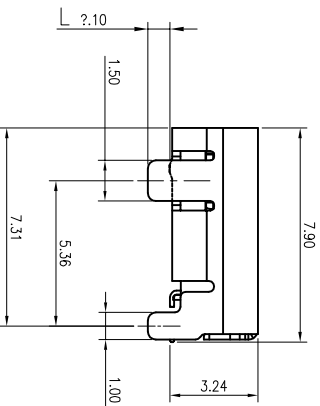
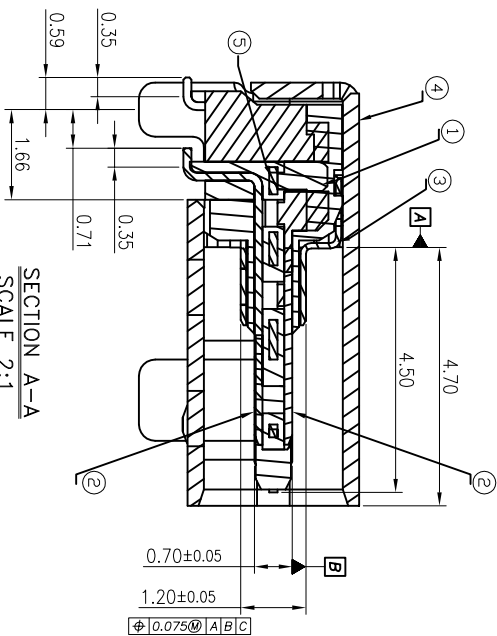
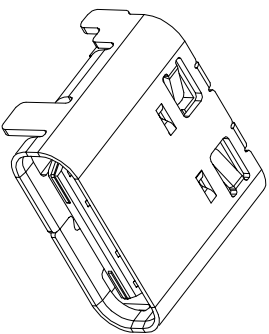
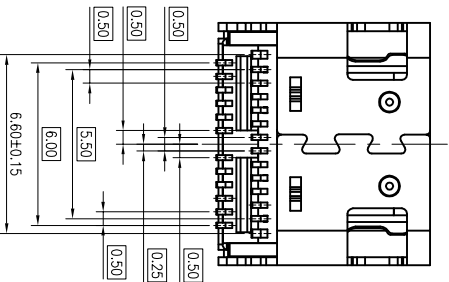
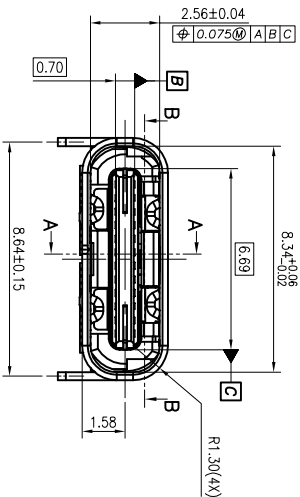
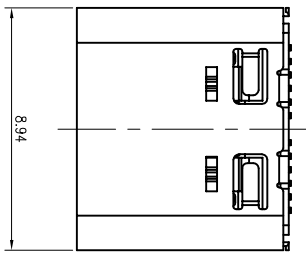


RoHS 客户图

目錄 MAPX A0	變更內容 MODIFICATION NEW	日期 DATE 09-10-20
------------------	-----------------------------	------------------------



产品图

深圳市鑫风雷电子有限公司

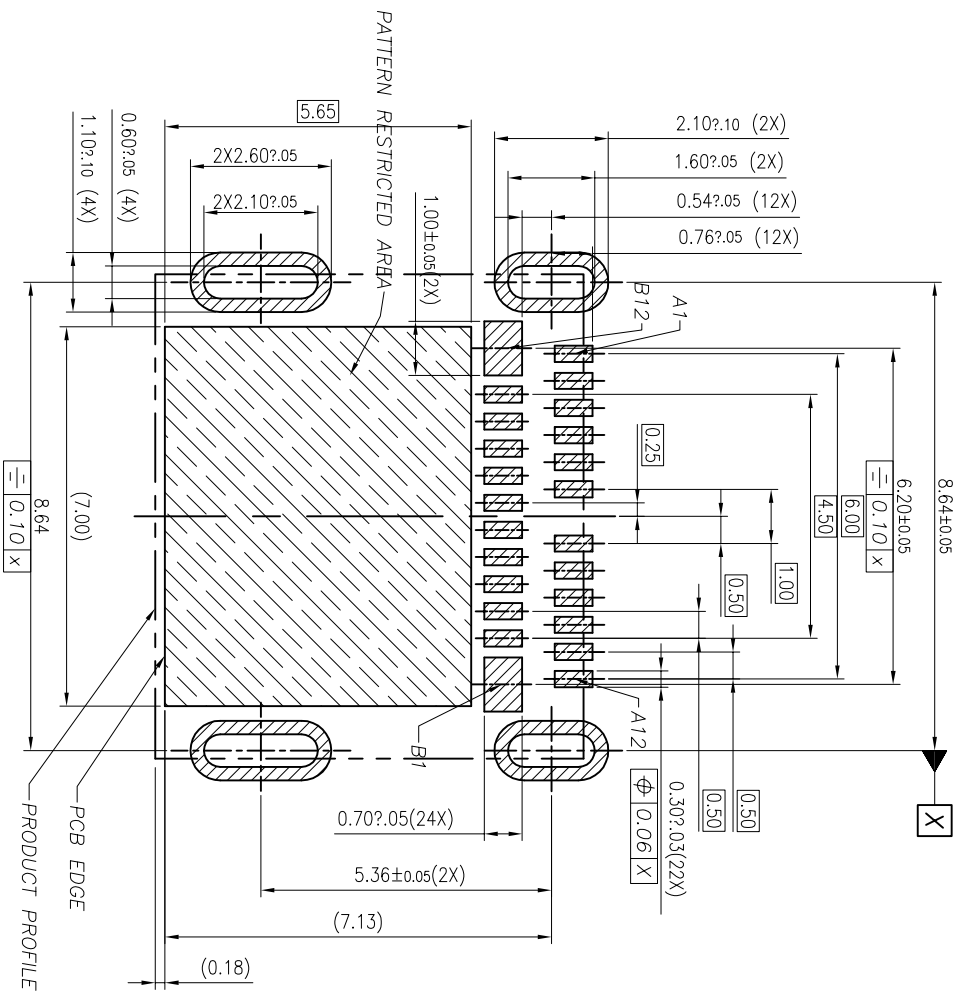
PRODUCT CHART DWG

公差一览表

TOLERANCE UNLESS OTHERWISE SPECIFIED	UNIT	MM	DRAWING	王冠	产品料号	XF1Z012-UCAF002-X
X	±0.30	X	±5°	雷永健	产品名称	TYPE C 24P母插座上双排SMT (MOLEX款)
.X	±0.25	.X	±2°	审核	比例	1:1
.XX	±0.30	.XX	±1°	核准	日期	2009/10/20
.XXX	±0.15	.XXX	±0.5°		角法	

RoHS 客户图

目錄 MAPX	變更內容 MODIFICATION	日期 DATE
A0	NEW	09-10-20



RECOMMENDED PCB LAYOUT(TOP VIEW)
DEFAULT TOLERANCE:±0.05

PIN ASSIGNMENT											
A1	A2	A3	A4	A5	A6	A7	A8	A9	A10	A11	A12
GND	TX1+	TX1-	VBUS	CC1	D+	D-	SBUS1	VBUS	RX2-	RX2+	GND
B12	B11	B10	B9	B8	B7	B6	B5	B4	B3	B2	B1
	RX1+	RX1-	VBUS	SBUS2	D-	D+	CC2	VBUS	TX2-	TX2+	GND

产品图

深圳市鑫风雷电子有限公司

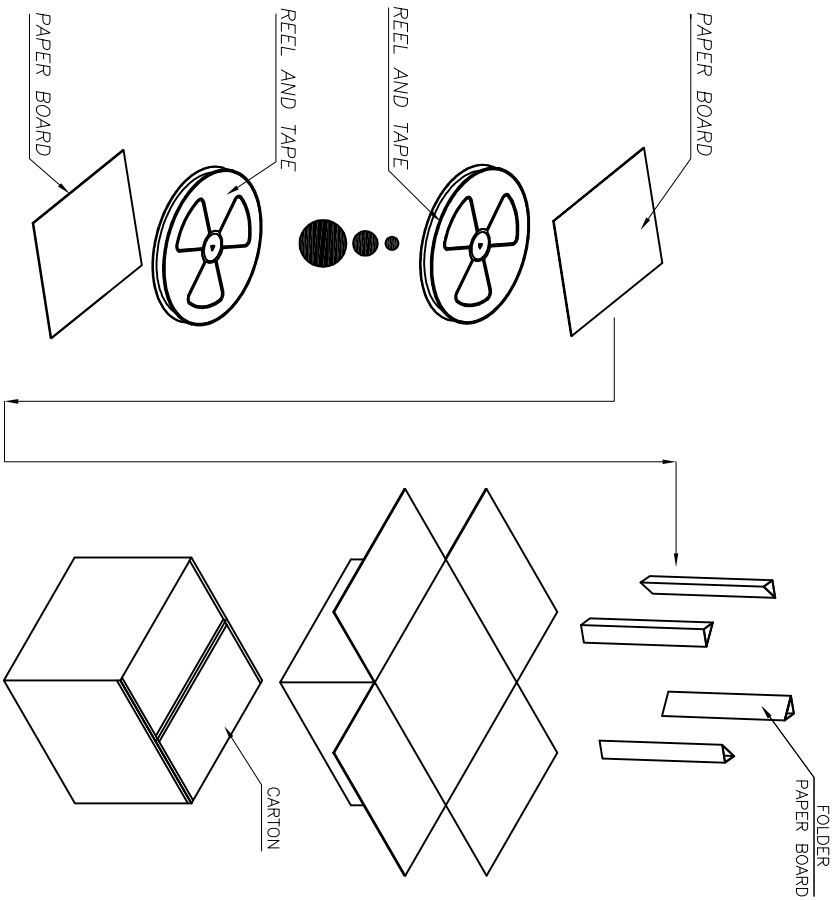
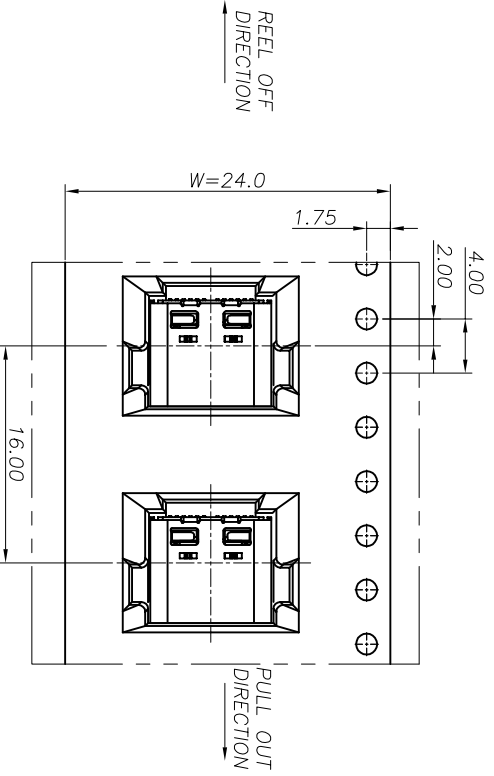
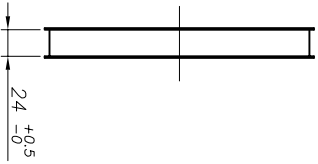
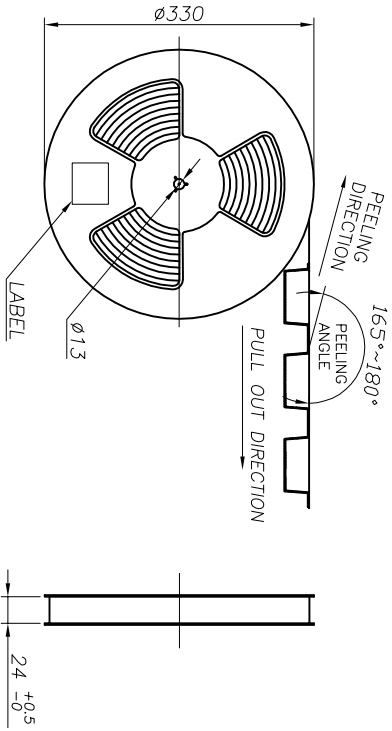
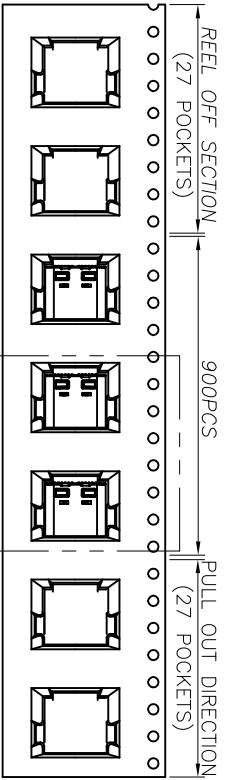
公差一览表
TOLERANCE UNLESS OTHERWISE SPECIFIED

X	±0.30	X'	±5°
X	±0.25	X''	±2°
XX	±0.30	XX'	±1°
XXX	±0.15	XXX'	±0.5°

单位 UNITS	MM	制图 DRAWING	王冠	产品料号 PRODUCT PART NO.	XFLZ012-UCAF002-X
比例 SCALE	1:1	审核 CHKD	雷永健	产品名称 PRODUCT NO.	TYPE C 24P母板上双排SMT (MOLEX款)
日期 DATE	2009/10/20	核准 APPD	雷永健	角法 VIEW	
				版本 VER	A0

- NOTE:
- 1.MATERIAL SPECIFICATION: 1-1.HOUSING:HIGH TEMPERATURE RESISTANT PLASTIC, WITH 30%GLASS FILLED,UL94 V-0 BLACK.
 - 1-2.CONTACTS: COPPER ALLOY
 - 1-3.EMI SPRING: STAINLESS STEEL
 - 1-4.FRONT SHELL: STAINLESS STEEL
 - 1-5.MIDDLE BLADE: STAINLESS STEEL
 - 2.PLATING SPECIFICATION: 2-1.CONTACTS: NI 50u' MIN. UNDER PLATED OVER ALL. 1-30u' Au PLATED ON THE FUNCTIONAL AREA OF CONTACT. Au GOLD FLASH PLATED ON SOLDER AREA.
 - 2-2.EMI SPRING: CLEANING ONLY
 - 2-3.FRONT SHELL: NI 50u' MIN. UNDER PLATED OVER ALL.
 - 2-4.MIDDLE BLADE: NI 40u' MIN. UNDER PLATED OVER ALL. TIN 80u' Min PLATED ON SOLDER AREA.
 - 3.MECHANICAL PERFORMANCE, 3-1.INSERTION FORCE: 0.5~2.0kgf. 3-2.REMOVAL FORCE: 0.8kgf~2.0kgf. 3-3.DURABILITY: 10000 CYCLES.
 - 4.ELECTRICAL PERFORMANCE, 4-1. CURRENT RATING:5.0A VOLTAGE RATING:5.0V
 - 4-2. LCR: VBUS & GND PINS AND OTHER PINS: 40mΩ/PIN MAX. SHIELD: 50mΩ/MAX. LCR MAX. CHANGE OF ALL PINS: 10mΩ
 - 4-3.INSULATION RESISTANCE: 100MΩ MIN
 - 4-4.DIELECTRIC WITHSTAND VOLTAGE/AC 100V FOR 1 MINUTE.
 5. ENVIRONMENTAL PERFORMANCE: OPERATING TEMPERATURE: -25?~+85?.
 - 6.IR REFLOW: THE PEAK TEMPERATURE ON THE BOARD SHALL BE MAINTAINED FOR 10 SECONDS AT 260°C.

RoHS 客户图



CONNECTOR (PCS)	REEL	CARTON
	900	9000

产品图

PRODUCT CHART DWG

公差一览表

TOLERANCE UNLESS OTHERWISE	X	XX	XXX
±0.30	X	XX	XXX
±0.25	X	XX	XXX
±0.30	X	XX	XXX
±0.15	X	XX	XXX

单位 UNITS	MM	英寸 INCHES
比例 SCALE	1:1	
日期 DATE	2009/10/20	
制图 DRAWING	王冠	
审核 CHECK	雷永健	
核准 APPROVE	雷永健	
产品料号 PRODUCT PART NO.	XFLZ012-UCAF002-X	
产品名称 PRODUCT NAME	TYPE C 24P母插座上双排SMT (MOLEX款)	
角法 VIEW		
版本 VER	A0	