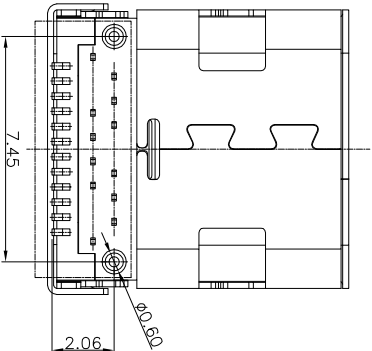
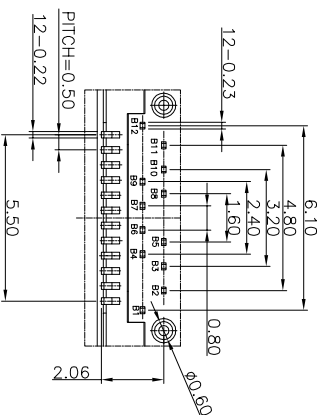
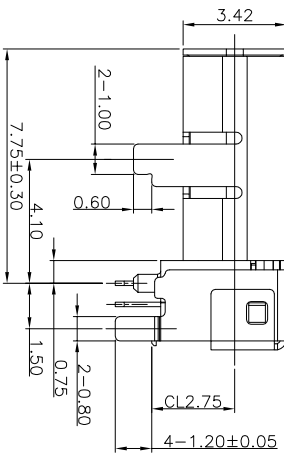
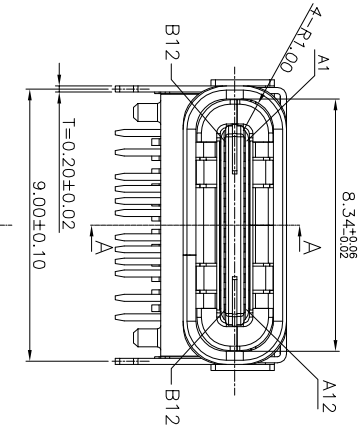
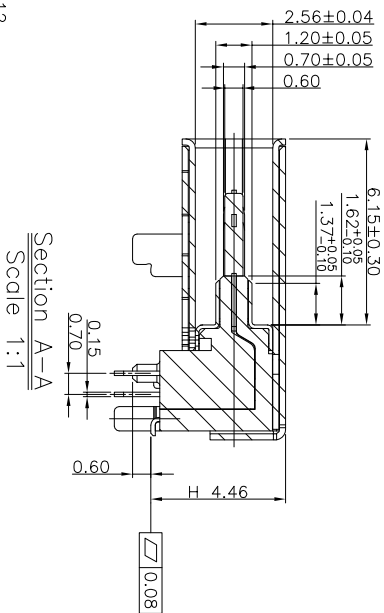
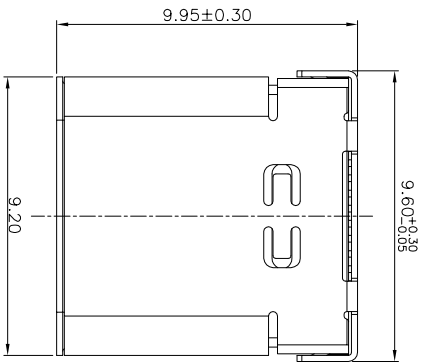


RoHS 客户图

目錄 MAPX	變更內容 MODIFICATION	日期 DATE
A0	NEW	09-10-20



NOTES:

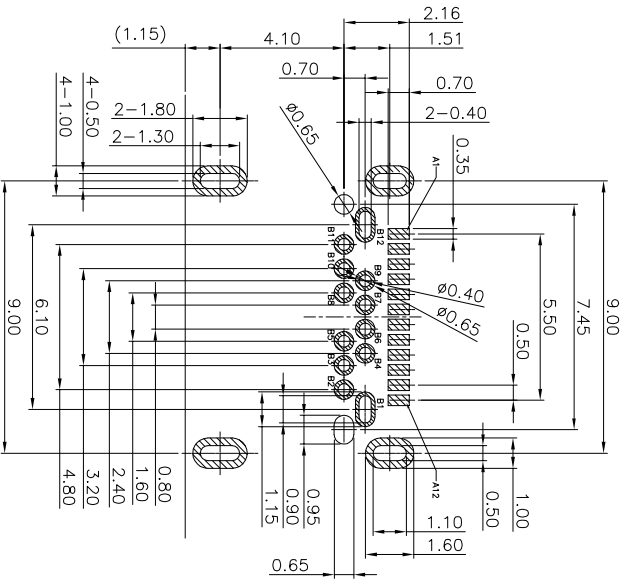
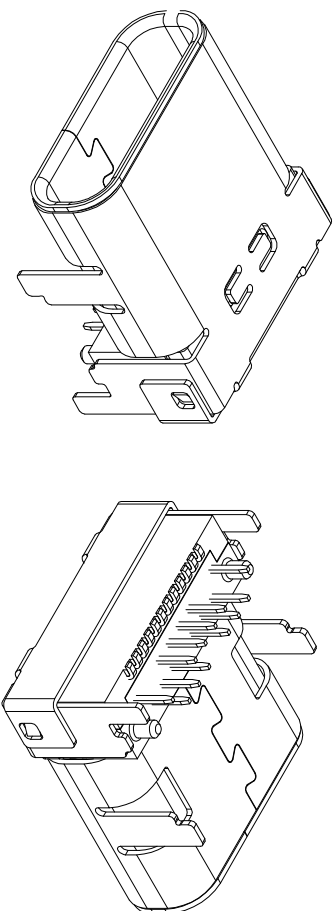
- MATERIAL:
MOLDING: LCP UL94 V-0
CONTACT: COPPER ALLOY.
GOLD PLATED Min ON CONTACT AREA, 100u"
Min TIN (LEAD FREE) ON SOLDER AREA,
SHELL: SUS304-H, T=0.20±0.03mm
50u" NICKEL PLATING OVER ALL.
SHLD: SUS304-H, T=0.12±0.03mm
- MECHANICAL:
INSERTION: 5~20N.
EXTRACTION: 8~20N AFTER TEST.
DURABILITY: 10000 CYCLES
- ELECTRICAL:
CURRENT: 5A FOR VBUS;
1.25A FOR GND PIN.
0.25A FOR OTHER.
VOLTAGE: 20 V MAX
WITHSTANDING VOLTAGE: 100V AC R.M.S.
CONTACT RESISTANCE: 40mΩ MAX.
INSULATION RESISTANCE: 100MΩ MIN.
- ENVIRONMENTAL
TEMPERATURE RANGE -55°C ~ +85°C

产品图

深圳市鑫风雷电子有限公司

公差一览表 TOLERANCE UNLESS OTHERWISE SPECIFIED		单位 UNITS		制图 DRAWING		产品料号 PRODUCT PART NO.	
X	±0.30	X'	±5°	王冠	XFLF001-UCAF016-B		
XX	±0.25	X''	±2°	雷永健			
XXX	±0.15	XXX'	±0.5°	雷永健			
比例 SCALE		日期 DATE		审核 CHKD		角法 VIEW	
1:1		2009/10/20		APPD		版本 VER	
						A0	

RoHS 客户图



RECOMMEND P.C.B LAYOUT(COMPONENT SIDE)
TOLERANCE FOR PCB LAYOUT IS ± 0.05

目錄 MAPX	變更內容 MODIFICATION	日期 DATE
A0	NEW	09-10-20

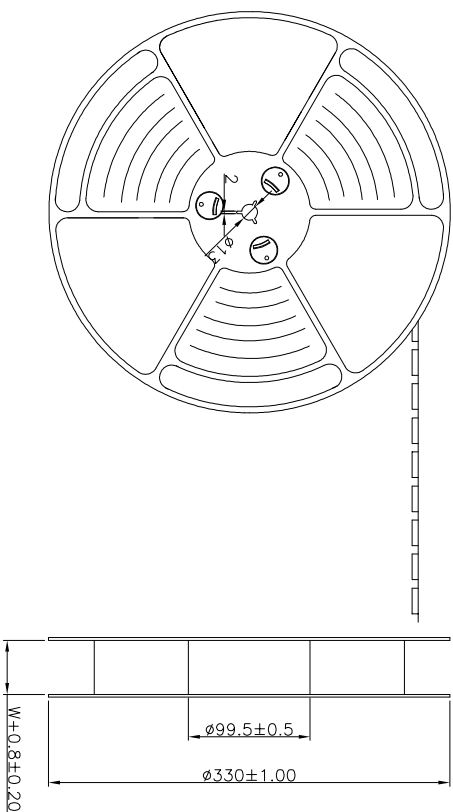
USB TYPE-C FULL-FEATURED RECEPTACLE INTERFACE PIN ASSIGNMENTS

Pin	Signal Name	Description	Pin	Signal Name	Description
A1	GND	Ground return	B12	GND	Ground return
A2	SS1RXd1	Positive half of first Super-Speed TX differential pair	B11	SS1RXd1	Positive half of first Super-Speed TX differential pair
A3	SS1TXd1	Negative half of first Super-Speed TX differential pair	B10	SS1RXd1	Negative half of first Super-Speed TX differential pair
A4	Vbus	Bus Power	B9	Vbus	Bus Power
A5	CC1	Configuration Channel 1	B8	SR02	Sideband Use (SR0)
A6	Dp1	Positive half of the USB 2.0 differential pair-Position 1	B7	Dm2	Negative half of the USB 2.0 differential pair-Position 2
A7	Dn1	Negative half of the USB 2.0 differential pair-Position 1	B6	Dp2	Positive half of the USB 2.0 differential pair-Position 2
A8	SR01	Sideband Use (SR0)	B5	CC2	Configuration Channel
A9	Vbus	Bus Power	B4	Vbus	Bus Power
A10	SS1RXd2	Negative half of second Super-Speed TX differential pair	B3	SS1TXd2	Negative half of second Super-Speed TX differential pair
A11	SS1TXd2	Positive half of second Super-Speed TX differential pair	B2	SS1RXd2	Positive half of second Super-Speed TX differential pair
A12	GND	Ground return	B1	GND	Ground return

产品图

公差一览表 TOLERANCE UNLESS OTHERWISE SPECIFIED		单位 UNITS	比例 SCALE	日期 DATE	制图 DRAWING	审核 CHECK	核准 APPROV	产品料号 PRODUCT PART NO.	产品名称 PRODUCT NO.	角法 VIEW	版本 VER
X	±0.30	X'	±5'	2009/10/20	王冠	雷永健	雷永健	XHLF001-UCAF016-B	TYPE C母座板上 24P L=10.0加高=4.46	⊕	A0
.XX	±0.25	.X'	±2'								
.XXX	±0.15	.XXX'	±0.5'								

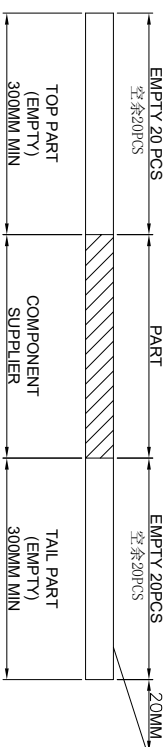
RoHS 客户图



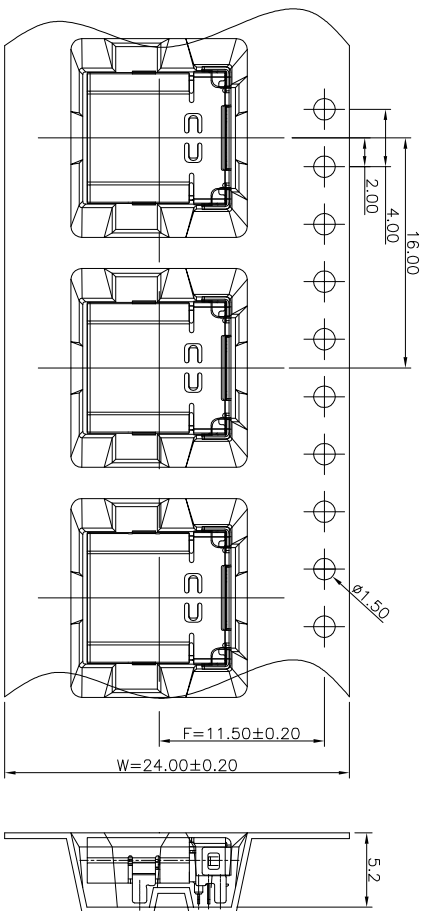
出料方向
PULL OUT DIRECTION

NOTES

1. 带子引导长度
LEAD TAPE LENGTH
出料方向
PULL OUT DIRECTION



2. 出货运输过程中一定注意:
THIS REQUIREMENT SHOULD BE APPLIED AT SHIPMENT:
卷带在运输过程中不能散开
PEELING OFF SHOULD NOT BE ALLOWED DURING TRANSPORTATION



产品图

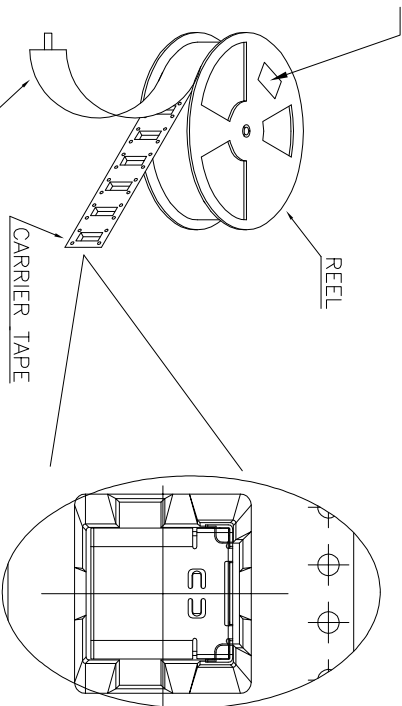
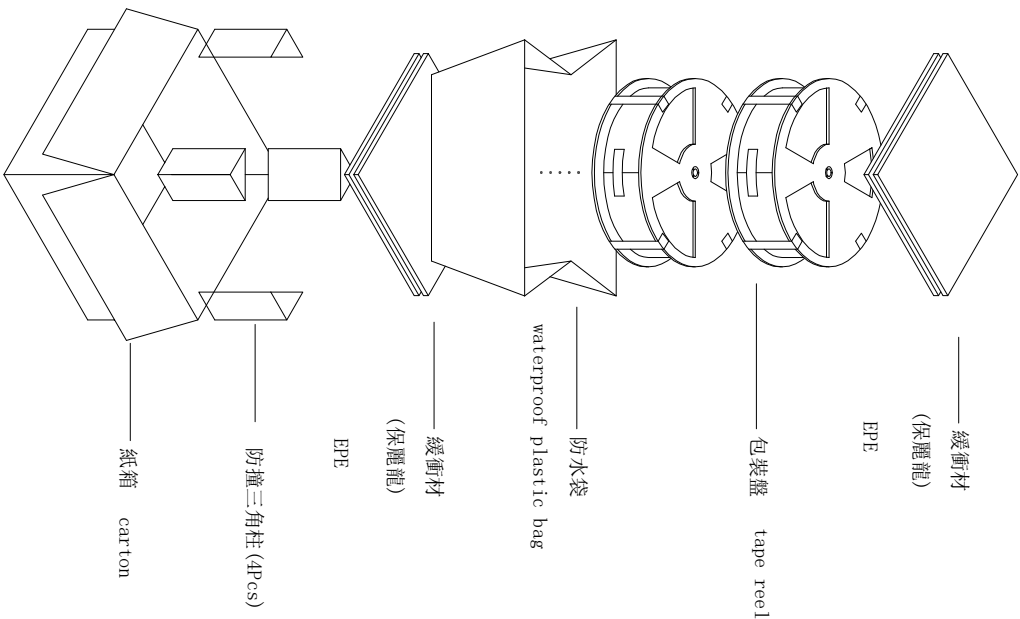
深圳市鑫风雷电子有限公司

公差一览表		单位		比例		日期		制图		产品料号	
TOLERANCE UNLESS OTHERWISE		UNITS		SCALE		DATE		DRAWING		PRODUCT PART NO.	
X	±0.30	X'	±5°	1:1	王冠	XFLF001-UCAF016-B	审核		雷永健		
X	±0.25	X'	±2°		雷永健		核准		雷永健		
XX	±0.30	XX'	±1°		雷永健		日期		2009/10/20		
XXX	±0.15	XXX'	±0.5°		雷永健		角法		第一角法		

RoHS 客户图

目錄 MAPX A0	變更內容 MODIFICATION NEW	日期 DATE 09-10-20
------------------	-----------------------------	------------------------

at small positioning hole of the carrier tape side).
標簽黏貼處 (朝捲裝包材的小定位孔一側)
Location of label sticking (label)



NOTE:

1. 每捲包裝數量及每箱裝箱數量如左下表格
Packing qty of each reel & carton as below table shown.
2. 以上膠帶覆蓋下包裝帶經包裝機自粘包裝
Use cover tape to cover and hot melt machine to seal up.
3. 每個紙箱放2個珍珠棉
Every carton use 2pcs EPE.
4. 將裝滿產品的卷盤放入紙箱並以膠帶封口
Put reels in the carton and use adhesive tape to seal up.

產品圖

PRODUCT CHART DWG

深圳市鑫風雷电子有限公司

公差一览表 TOLERANCE UNLESS OTHERWISE		單位 UNITS	MM	制圖 DRAWING	王冠 CORONA	產品料號 PRODUCT PART NO.	XFLF001-UCAF016-B
X	±0.30	X'	±5'	審核 CHECK	雷永健 LEI YONGJIAN	產品名稱 PRODUCT NO.	TYPE C母座板上 24P L=10.0加高H=4.46
.X	±0.25	.X'	±2'	核准 APPROVE	雷永健 LEI YONGJIAN	角法 VIEW	⊕
.XX	±0.30	.XX'	±1'	日期 DATE	2009/10/20	版本 VER	A0
.XXX	±0.15	.XXX'	±0.5'				

包裝容量 (PACKING CAPACITY)	重量 (Kg)
PCS/REEL	N.W./PCS
REELS/CARTON	N.W./BOX
PCS/CARTON	G.W./BOX
5200	0.704
8	
650	