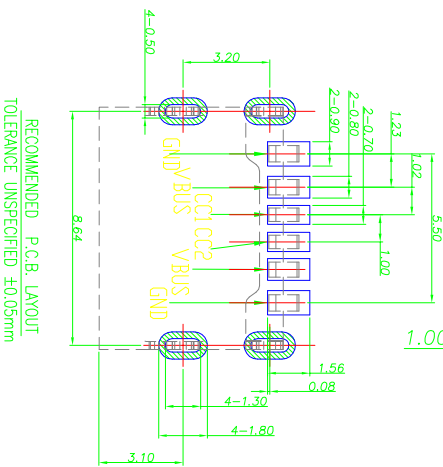
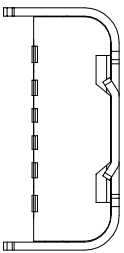
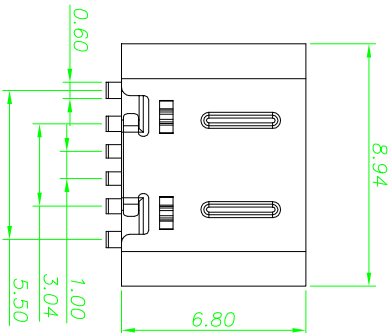
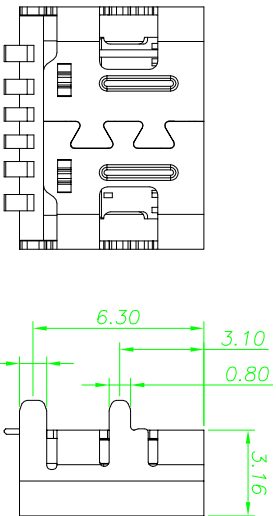
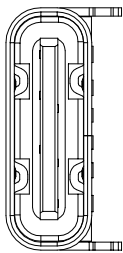
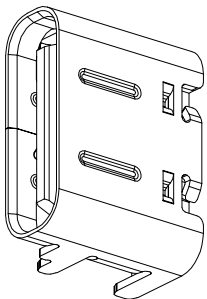


RoHS 客户图



RECOMMENDED P.C.B. LAYOUT
TOLERANCE UNSPECIFIED +0.05mm

目錄 MAPX A0	變更內容 MODIFICATION NEW	日期 DATE 09-10-20
------------------	-----------------------------	------------------------

NOTES:

- 1.MATERIAL:**
MOLDING: LCP UL94 V-0
CONTACT: COPPER ALLOY.
GOLD PLATED MIN ON CONTACT AREA: 100u"
Min TIN (LEAD FREE) ON SOLDER AREA,
SHELL: SUS304-H, I=0.30±0.03mm
50u" NICKEL PLATING OVER ALL.
- 2.MECHANICAL:**
INSERTION: 5~20N.
EXTRACTION: 8~20N AFTER TEST.
DURABILITY: 10000 CYCLES
- 3.ELECTRICAL:**
CURRENT: 5A FOR VBUS;
1.25A FOR GND PIN,
0.25A FOR OTHER.
VOLTAGE: 20 V MAX
WITHSTANDING VOLTAGE: 100V AC R.M.S.
CONTACT RESISTANCE: 40mΩ MAX.
INSULATION RESISTANCE: 100MΩ MIN.
4. ENVIRONMENTAL
TEMPERATURE RANGE -25°C ~ +85°C

B12	GND
B9	VBUS
B5	CC2
A5	CC1
A9	VBUS
A12	GND
PIN	SIGNAL NAME

6	SHELL	STAINLESS STEEL	Ni Plated	IPCS
5	SHIELDING PLATE	STAINLESS STEEL	---	IPCS
4	MD	HIGH TEMPERATURE PLASTIC	BLACK	IPCS
3	CONTACT	COPPER ALLOY	Au/Ni Plated	1SET
2	CONTACT	COPPER ALLOY	Au/Ni Plated	1SET
1	HOUSING	HIGH TEMPERATURE PLASTIC	BLACK	IPCS
NO.	DESCRIPTION	MATERIAL	REMARKS	QTY

产品图

PRODUCT CHART DWG

公差一览表

TOLERANCE UNLESS OTHERWISE SPECIFIED	UNIT	SCALE	DATE	制图	审核	核准	产品料号	产品名称	TYPE	版本
X	±0.30	X'	±5'	王冠	雷永健	雷永健	XFLJ012-UCAF008-A	6P母座板上SMT特殊款	C	A0
XX	±0.25	X'	±2'	雷永健	雷永健	雷永健				
XXX	±0.15	XXX'	±0.5'	2009/10/20	雷永健	雷永健				