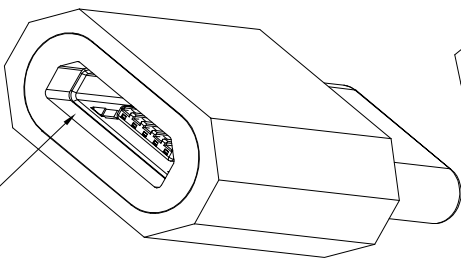
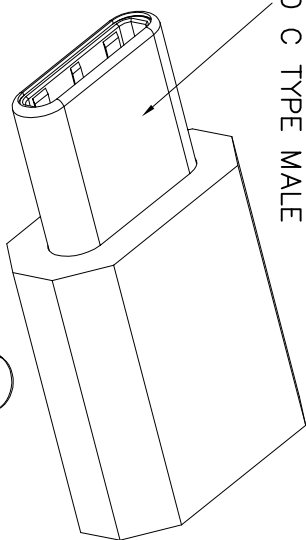
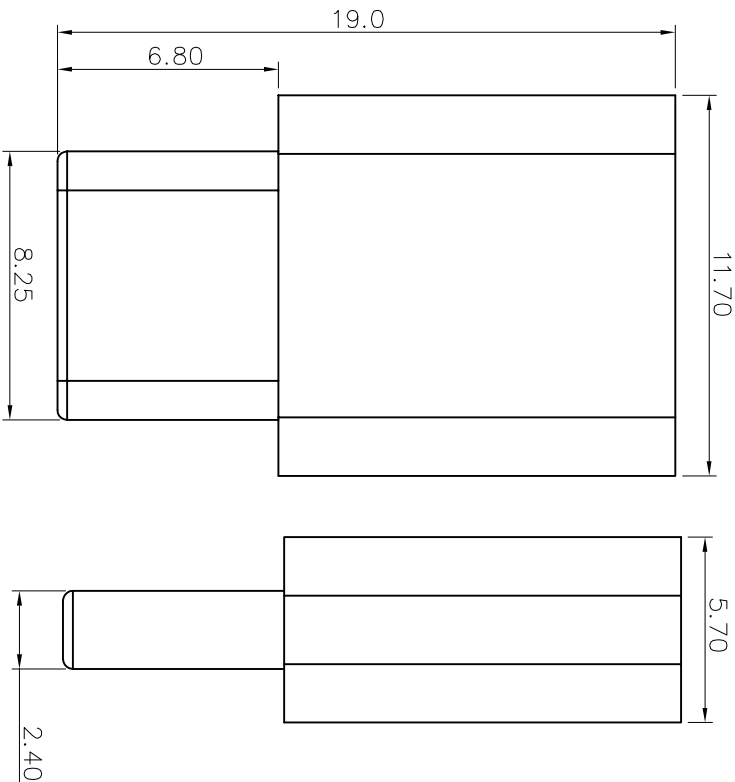
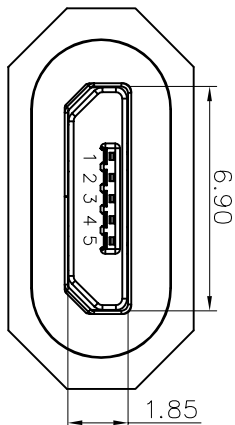
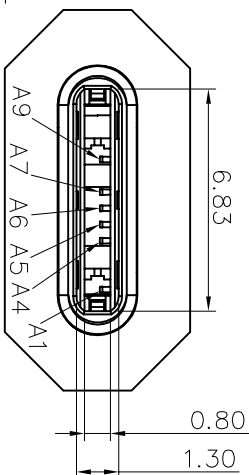


客户图

USB 2.0 C TYPE MALE

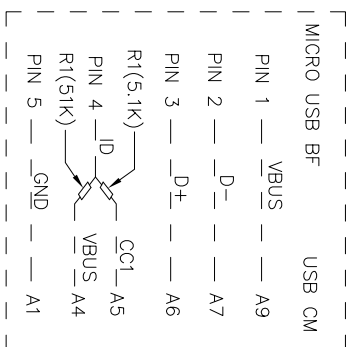


MICRO USB 2.0 BF



| MICRO USB BF | PIN 1 | PIN 2 | PIN 3 | PIN 4 | PIN 5 |
|--------------|-------|-------|-------|-------|-------|
| SIGNAL NAME | VBUS | D- | D+ | ID | GND |
| USB CM | A9 | A7 | A6 | A5 | A4 |
| SIGNAL NAME | VBUS | D- | D+ | CC1 | VBUS |
| | | | | | GND |

| 目錄 MAPX | 修改內容 MODIFICATION | 日期 DATE |
|------------|----------------------|------------|
| A0 | NEW | 09-10-20 |



NOTE:

- MATERIAL:
 - INSULATOR: HIGH TEMPERATURE PLASTIC LCP; BLACK
 - CONTACT: COPPER ALLOY (T=0.15mm)
 - MICRO USB SHELL: SUS201 (T=0.30mm)
 - USB CM SHELL: SUS316L (T=0.15mm)
 - LATCH: SUS301 (T=0.40mm)
- ELECTRICAL CHARACTERISTICS:
 - CONTACT RESISTANCE: 80mΩ Max
 - CONTACT CURRENT RATING: 1.5 A
 - DIELECTRIC WITHSTANDING VOLTAGE: 100 V R. M. S.
 - INSULATION RESISTANCE 100 MEGOHMS Min
 - OPERATING TEMPERATURE: -25 °C ~ 75 °C
- MECHANICAL CHARACTERISTICS:
 - MATING FORCE: USB CM 5*20N & MICRO USB 35N Max.
 - UNMATED FORCE: USB CM 8*20N & MICRO USB 10N Min.
- PLATING
 - TERMINAL CONTACT: (SEE TAB) GOLD PLATING
ALL OVER 50u" MIN NICKEL
 - SHELL: 50u" MIN. NICKEL ALL OVER

深圳市鑫风雷电子有限公司

| 产品图 PRODUCT CHART DWG | | 公差一览表 TOLERANCE UNLESS OTHERWISE | | 单位 UNITS | | 比例 SCALE | | 日期 DATE | |
|--------------------------|-------|-------------------------------------|-------|-------------|-----|-------------|--|------------|--|
| X | ±0.30 | X | ±5° | MM | 1:1 | 2009/10/20 | | | |
| .XX | ±0.25 | .X | ±2° | | | | | | |
| .XXX | ±0.15 | .XX | ±1° | | | | | | |
| | | .XXX | ±0.5° | | | | | | |