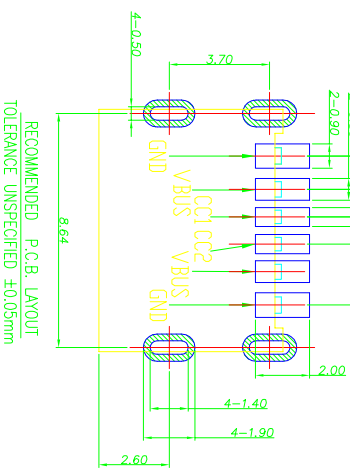
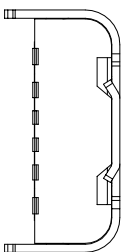
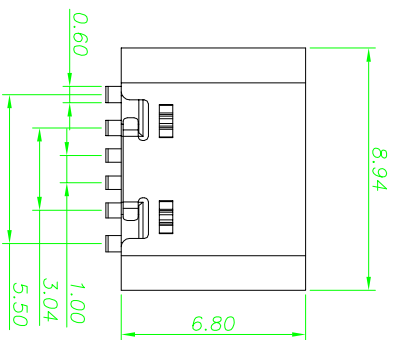
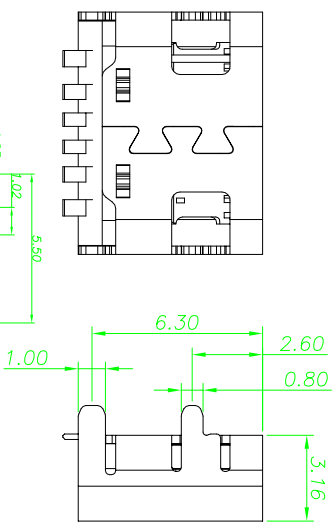
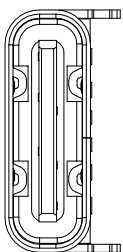
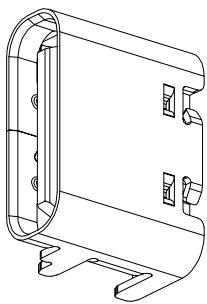


RoHS 客户图



RECOMMENDED P.C.B. LAYOUT
TOLERANCE UNSPECIFIED ±0.05mm

| | | |
|------------------|-----------------------------|------------------------|
| 目錄 MAPX A0 | 變更內容 MODIFICATION NEW | 日期 DATE 09-10-20 |
|------------------|-----------------------------|------------------------|

NOTES:

- 1.MATERIAL:
MOLDING: LCP UL94 V-0
CONTACT: COPPER ALLOY.
GOLD PLATED MIN ON CONTACT AREA: 100u"
Min TIN (LEAD FREE) ON SOLDER AREA,
SHELL: SUS304-H, L=0.30±0.03mm
50u" NICKEL PLATING OVER ALL.
- 2.MECHANICAL:
INSERTION: 5~20N.
EXTRACTION: 8~20N AFTER TEST.
DURABILITY: 10000 CYCLES
- 3.ELECTRICAL:
CURRENT: 5A FOR VBUS;
1.25A FOR GND PIN,
0.25A FOR OTHER.
VOLTAGE: 20 V MAX
WITHSTANDING VOLTAGE: 100V AC R.M.S.
CONTACT RESISTANCE: 40mΩ MAX.
INSULATION RESISTANCE: 100MΩ MIN.
4.ENVIRONMENTAL
TEMPERATURE RANGE -25°C ~ +85°C

| | |
|-----|-------------|
| B12 | GND |
| B9 | VBUS |
| B5 | CC2 |
| A5 | CC1 |
| A9 | VBUS |
| A12 | GND |
| PIN | SIGNAL NAME |

| | | | | |
|-----|-----------------|--------------------------|--------------|------|
| 6 | SHELL | STAINLESS STEEL | Ni Plated | IPCS |
| 5 | SHIELDING PLATE | STAINLESS STEEL | --- | IPCS |
| 4 | MD | HIGH TEMPERATURE PLASTIC | BLACK | IPCS |
| 3 | CONTACT | COPPER ALLOY | Au/Ni Plated | 1SET |
| 2 | CONTACT | COPPER ALLOY | Au/Ni Plated | 1SET |
| 1 | HOUSING | HIGH TEMPERATURE PLASTIC | BLACK | IPCS |
| NO. | DESCRIPTION | MATERIAL | REMARKS | QTY |

产品图

PRODUCT CHART DWG

公差一览表

| TOLERANCE UNLESS OTHERWISE | 公差 |
|----------------------------|-------|
| X | ±0.30 |
| .X | ±0.25 |
| .XX | ±0.30 |
| .XXX | ±0.15 |

| | |
|-------------|------------|
| 单位 UNITS | MM |
| 比例 SCALE | 1:1 |
| 日期 DATE | 2009/10/20 |

| | | | |
|---------------|-----|--------------------------|---------------------|
| 制图 DRAWING | 王冠 | 产品料号 PRODUCT PART NO. | 01012-UCAP008-B |
| 审核 CHKD | 雷永健 | 产品名称 PRODUCT NO. | TYPE C 6P母座板上SMT常规款 |
| 核准 APPR | 雷永健 | 角法 VIEW | 版本 VER |
| | | | A0 |