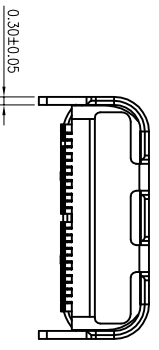
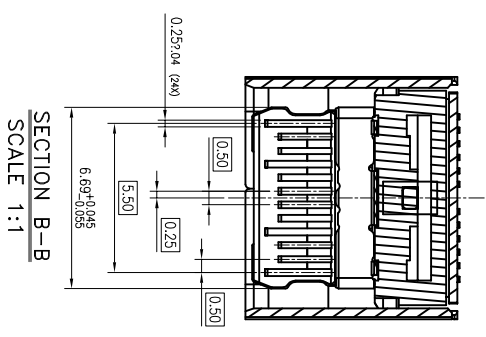
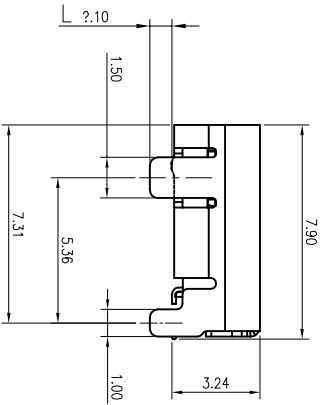
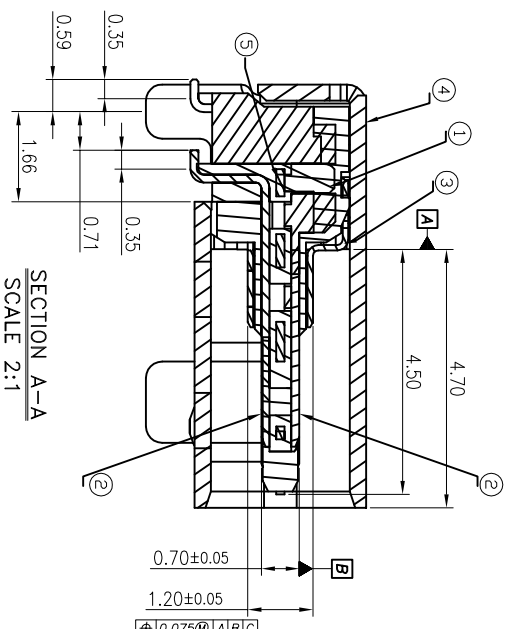
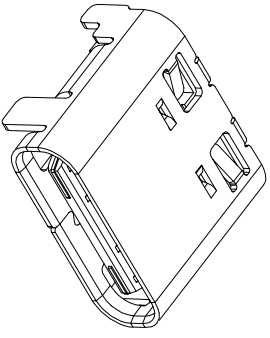
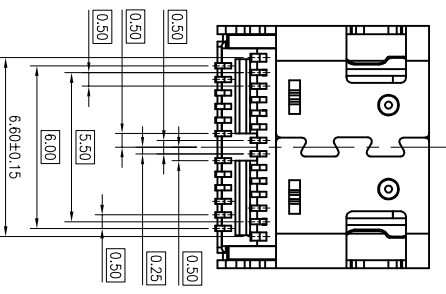
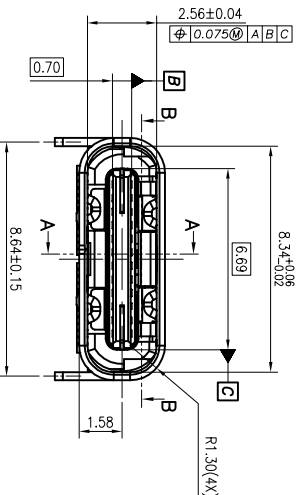
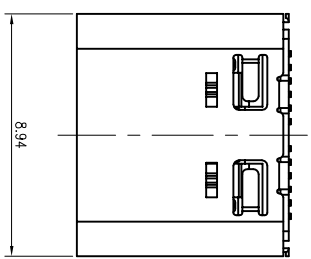


ROHS 客户图

目錄 MAPX A0	變更內容 MODIFICATION NEW	日期 DATE 09-10-20
------------------	-----------------------------	------------------------



产品图

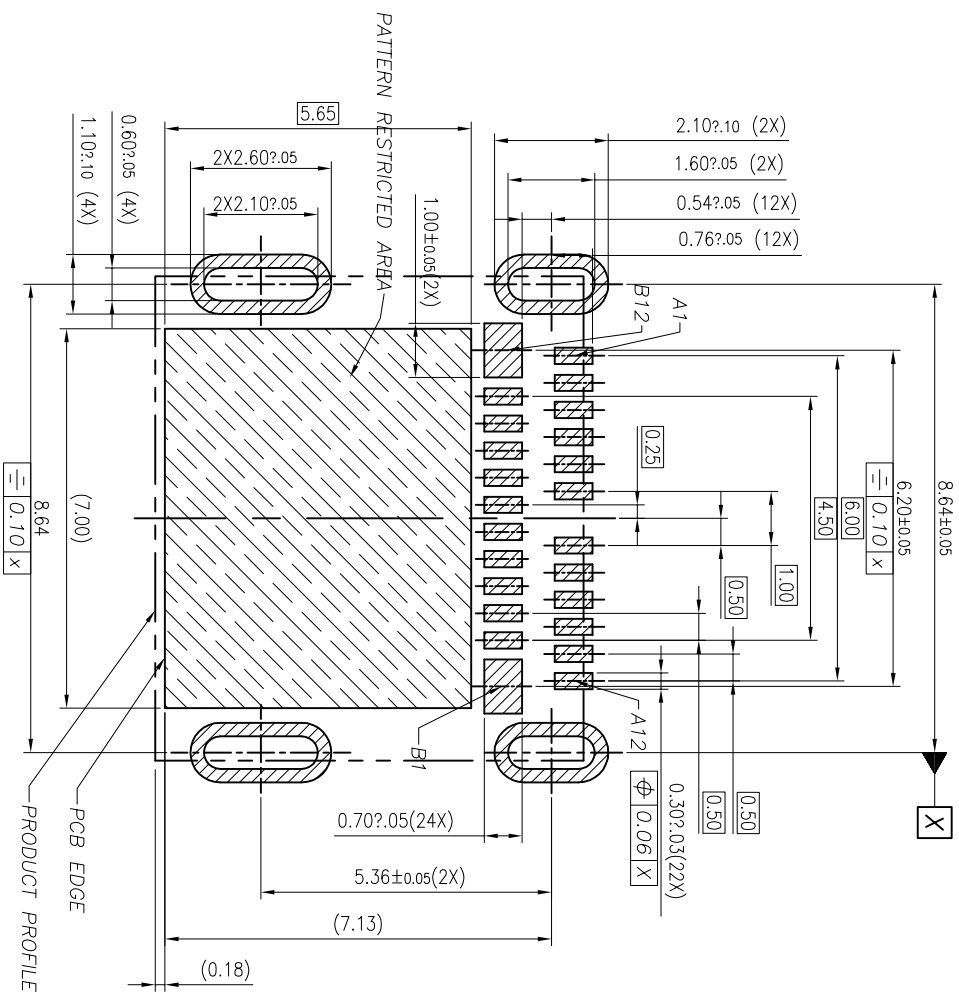
深圳市鑫风雷电子有限公司

公差一览表
TOLERANCE UNLESS OTHERWISE SPECIFIED

公差	单位	比例	日期	制图	审核	核准	产品料号	产品名称	角法	版本
	UNITS	SCALE	DATE	DRAWING	CHKD	APPD	PRODUCT PART NO.	PRODUCT NO.	TYPE	VER
X	±0.30	X	±5°	MM	1:1	2009/10/20	12006-UCAF002-X	24P母板上双排SMT (MOLEX®)		A0
X	±0.25	X	±2°							
XX	±0.30	XX	±1°							
XXX	±0.15	XXX	±0.5°							

RoHS 客户图

目錄 MAPX	變更內容 MODIFICATION	日期 DATE
A0	NEW	09-10-20



RECOMMENDED PCB LAYOUT(TOP VIEW)
DEFAULT TOLERANCE:±0.05

PIN ASSIGNMENT											
A1	A2	A3	A4	A5	A6	A7	A8	A9	A10	A11	A12
GND	TX1+	TX1-	VBUS	CC1	D+	D-	SBUS1	VBUS	RX2-	RX2+	GND
B12	B11	B10	B9	B8	B7	B6	B5	B4	B3	B2	B1
GND	RX1+	RX1-	VBUS	SBUS2	D-	D+	CC2	VBUS	TX2-	TX2+	GND

产品图

PRODUCT CHART DWG

公差一览表

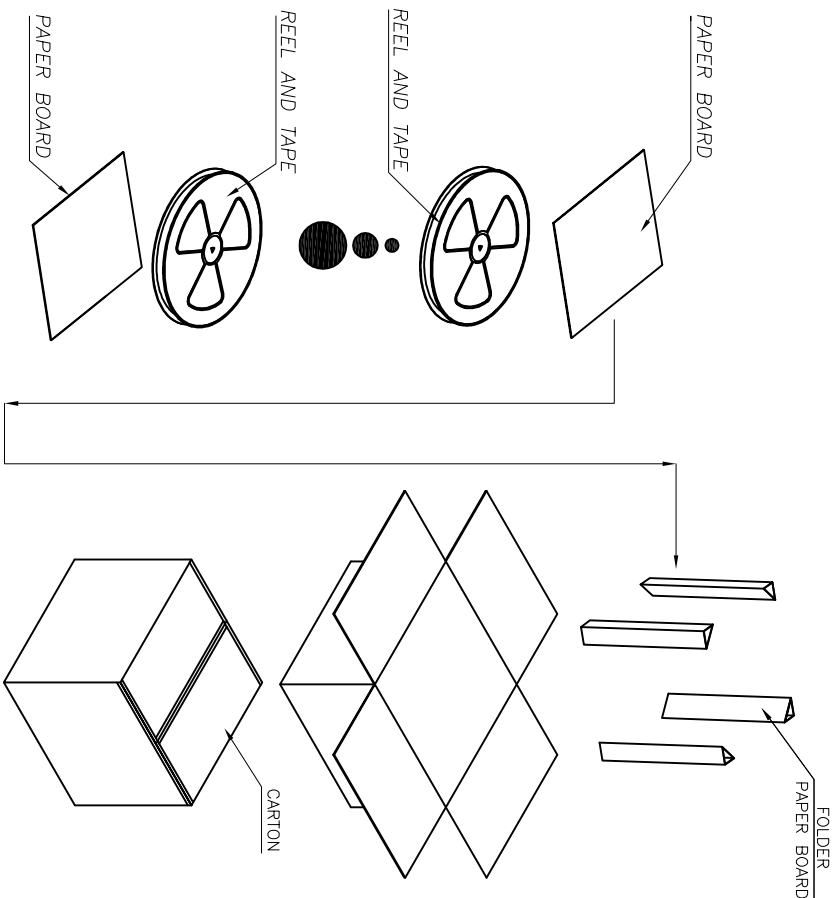
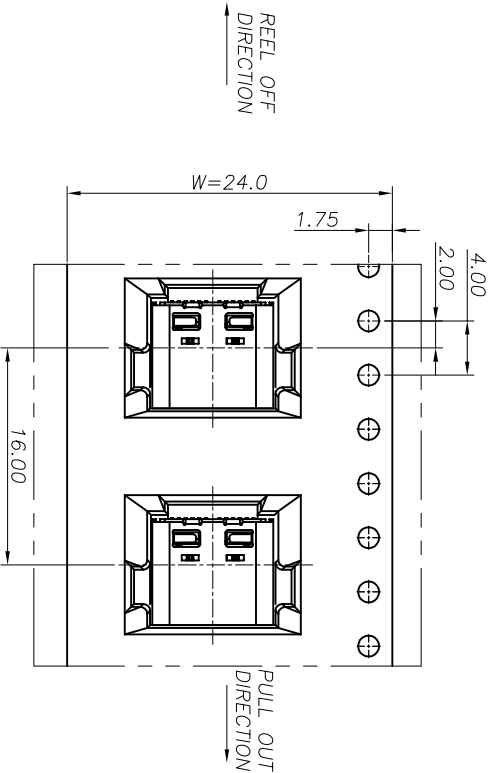
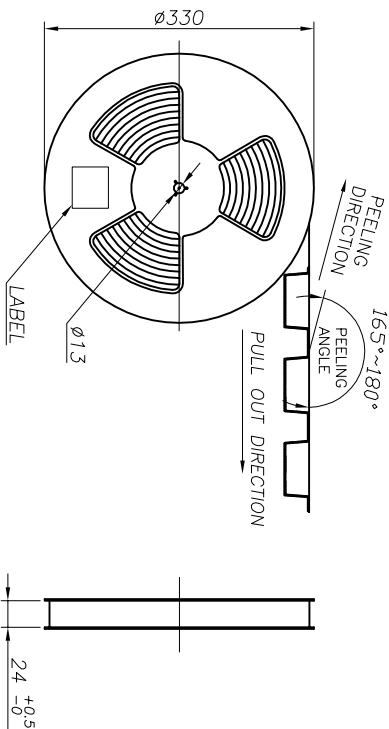
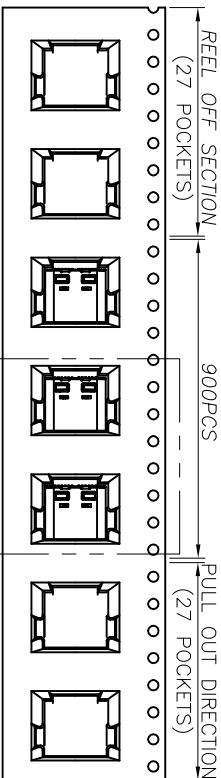
TOLERANCE UNLESS OTHERWISE SPECIFIED	公差
X	±0.30
XX	±0.25
XXX	±0.15

深圳市鑫风雷电子有限公司

单位 UNITS	MM	制图 DRAWING	王冠	产品料号 PRODUCT PART NO.	12006-UCAF002-X
比例 SCALE	1:1	审核 CHKD	雷永健	产品名称 PRODUCT NO.	TYPE C 24P母板上双排SMT (MOLEX款)
日期 DATE	2009/10/20	核准 APPD	雷永健	角法 VIEW	版本 VER
					A0

- NOTE:
- 1.MATERIAL SPECIFICATION: 1-1.HOUSING:HIGH TEMPERATURE RESISTANT PLASTIC, WITH 30%GLASS FILLED,UL94 V-0 BLACK.
 - 1-2.CONTACTS: COPPER ALLOY
 - 1-3.EMI SPRING: STAINLESS STEEL
 - 1-4.FRONT SHELL: STAINLESS STEEL
 - 1-5.MIDDLE BLADE: STAINLESS STEEL
 - 2.PLATING SPECIFICATION:
 - 2-1.CONTACTS: NI 50u" MIN. UNDER PLATED OVER ALL. 1-30u" Au PLATED ON THE FUNCTIONAL AREA OF CONTACT. Au GOLD FLASH PLATED ON SOLDER AREA.
 - 2-2.EMI SPRING: CLEANING ONLY
 - 2-3.FRONT SHELL: NI 50u" MIN. UNDER PLATED OVER ALL.
 - 2-4.MIDDLE BLADE: NI 40u" MIN. UNDER PLATED OVER ALL. TIN 80u" Min PLATED ON SOLDER AREA.
 - 3.MECHANICAL PERFORMANCE,
 - 3-1.INSERTION FORCE: 0.5~2.0kgf.
 - 3-2.REMOVAL FORCE: 0.8kgf~2.0kgf.
 - 3-3.DURABILITY: 10000 CYCLES.
 - 4.ELECTRICAL PERFORMANCE,
 - 4-1. CURRENT RATING:5.0A VOLTAGE RATING:5.0V
 - 4-2. LCR: VBUS & GND PINS AND OTHER PINS: 40mΩ/PIN MAX. SHIELD: 50mΩ/MAX. LCR MAX. CHANGE OF ALL PINS: 10mΩ
 - 4-3.INSULATION RESISTANCE: 100MΩ MIN
 - 4-4.DIELECTRIC WITHSTAND VOLTAGE:AC 100V FOR 1 MINUTE.
 5. ENVIRONMENTAL PERFORMANCE:
 - OPERATING TEMPERATURE: -25?~+85?.
 - 6.IR REFLOW: THE PEAK TEMPERATURE ON THE BOARD SHALL BE MAINTAINED FOR 10 SECONDS AT 260°C.

ROHS 客户图



目錄 MAPX A0	變更內容 MODIFICATION NEW	日期 DATE 09-10-20
------------------	-----------------------------	------------------------

产品图

PRODUCT CHART DWG

公差一览表

TOLERANCE UNLESS OTHERWISE	X'	XX'	XXX'
±0.30	±0.25	±0.30	±0.15

深圳市鑫风雷电子有限公司

单位 UNITS	MM	制图 DRAWING	王冠	产品料号 PRODUCT PART NO.	12006-UCAF002-X
比例 SCALE	1:1	审核 CHKD	雷永健	产品名称 PRODUCT NO.	TYPE C 24P母板上双排SMT (MOLEX款)
日期 DATE	2009/10/20	核准 APPD	雷永健	角法 VIEW	版本 VER

CONNECTOR (PCS)	REEL	CARTON
	900	9000