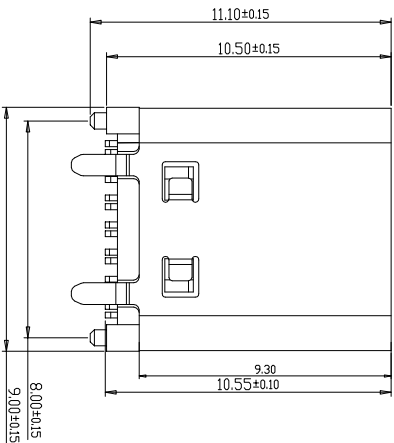
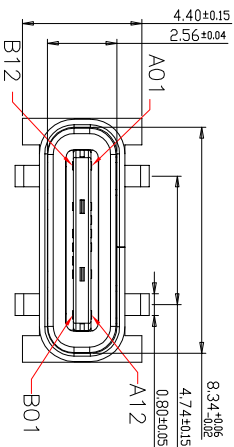
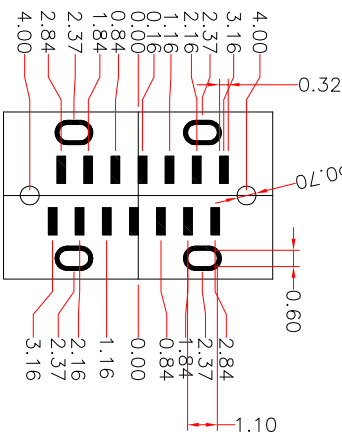
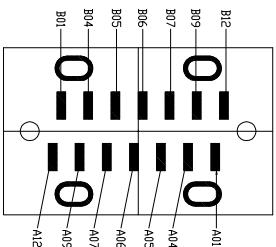
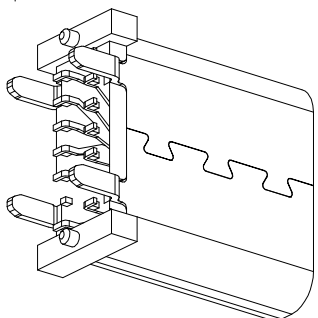


RoHS 客户图

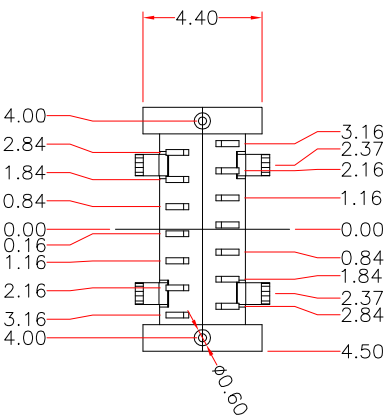


截面 1-1



RECOMMENDED PCB LAYOUT (T:1.00mm)
TOLERANCE UNSPECIFIED ±0.05mm

- SPECIFICATIONS:
- ELECTRICAL CHARACTERISTICS:
 - 1-1. CONTACT RESISTANCE: 30mΩ MAX.
 - 1-2. DIELECTRIC WITHSTANDING VOLTAGE: 100V AC FOR ONE MINUTE.
 - 1-3. INSULATION RESISTANCE: 100MΩ MIN. MEASURED BY 500 VDC.
 - MECHANICAL CHARACTERISTICS:
 - 2-1. INSERTION FORCE: 0.5-2.0kgf(REF.)
 - 2-2. WITHDRAWAL FORCE: 0.8-2.0kgf(REF.)
 - LIFE TEST: 10,000 CYCLES.
 - DO CONFORM TO THE ROHS/REACH HAZARDOUS SUBSTANCE FREE SPEC.



A1	GND	B12	GND
A4	VBUS	B9	VBUS
A5	CCI	B7	DN2
A6	DP1	B6	DP2
A7	DN1	B5	CC2
A9	VBUS	B4	VBUS
A12	GND	B1	GND
PN	SIGNAL NAME	PN	SIGNAL NAME

产品图

深圳市鑫风雷电子有限公司

公差一览表

公差一览表	单位	比例	日期	审核	批准	产品料号	产品名称	角法	版本
PRODUCT CHART DWG	UNITS	SCALE	DATE	CHD	APPD	PRODUCT PART NO.	TYPE C 14P母座180度SMT H=10.5	VIEW	VER
TOLERANCE UNLESS OTHERWISE	MM	1:1	2009/10/20	雷永健	雷永健	01012-UCAP007-A			A0
X	±0.30	±5°							
X	±0.25	±2°							
XX	±0.30	XX°							
.XXX	±0.15	XXX°							

NO.	DESCRIPTION	MATERIAL	REMARKS	QTY
6	SHELL	STAINLESS STEEL	Ni Plated	1PCS
5	SHIELDING PLATE	STAINLESS STEEL	---	1PCS
4	MD	HIGH TEMPERATURE PLASTIC	BLACK	1PCS
3	CONTACT	COPPER ALLOY	Au/Ni Plated	1SET
2	CONTACT	COPPER ALLOY	Au/Ni Plated	1SET
1	HOUSING	HIGH TEMPERATURE PLASTIC	BLACK	1PCS