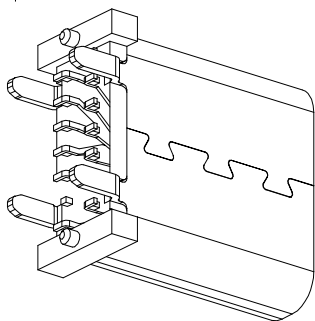
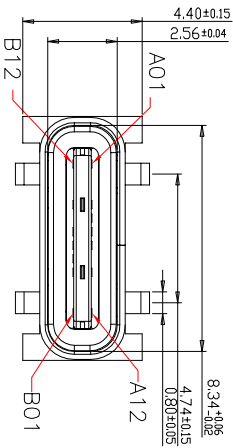
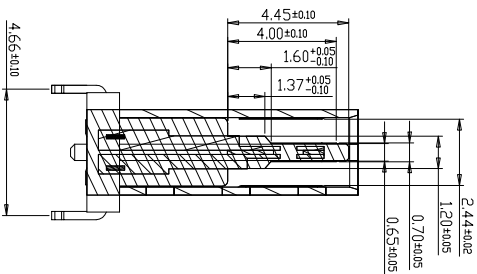
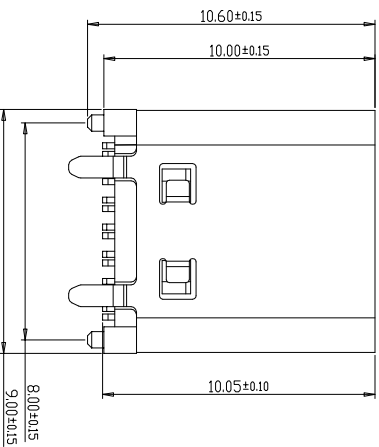


RoHS 客户图

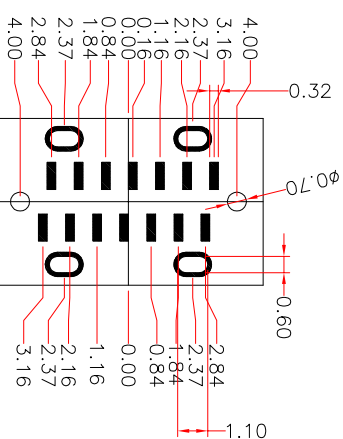
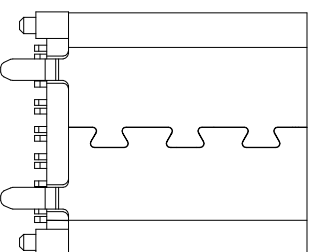
目錄 MAPX A0	變更內容 MODIFICATION NEW	日期 DATE 09-10-20
------------------	-----------------------------	------------------------



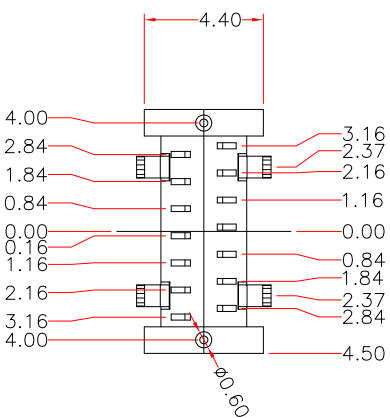
- SPECIFICATIONS:
- ELECTRICAL CHARACTERISTICS:
 - CONTACT RESISTANCE: 30mΩ MAX.
 - DIELECTRIC WITHSTANDING VOLTAGE: 100V AC FOR ONE MINUTE.
 - INSULATION RESISTANCE: 100MΩ MIN. MEASURED BY 500 VDC.
 - MECHANICAL CHARACTERISTICS:
 - INSERTION FORCE: 0.5-2.0kgf(REF.)
 - WITHDRAWAL FORCE: 0.8-2.0kgf(REF.)
 - LIFE TEST: 10,000 CYCLES.
 - TO CONFORM TO THE KRODNN HAZARDOUS SUBSTANCE FREE SPEC.



截面 1-1



RECOMMENDED P.C.B. LAYOUT (T1.00mm)
TOLERANCE UNSPECIFIED ±0.05mm



A1	GND	B12	GND
A4	VBUS	B9	VBUS
A5	CCI	B7	D12
A6	DP1	B6	DP2
A7	D11	B5	CC2
A9	VBUS	B4	VBUS
A12	GND	B1	GND
PIN	SIGNAL NAME	PIN	SIGNAL NAME

产品图

深圳市鑫风雷电子有限公司

公差一览表

公差一览表	公差	公差	公差
TOLERANCE UNLESS OTHERWISE SPECIFIED	±0.30	±0.25	±0.15
X	±0.30	±0.25	±0.15
XX	±0.30	±0.25	±0.15
XXX	±0.30	±0.25	±0.15

6	SHELL	STAINLESS STEEL	Ni Plated	IPCS
5	SHIELDING PLATE	STAINLESS STEEL	---	IPCS
4	MD	HIGH TEMPERATURE PLASTIC	BLACK	IPCS
3	CONTACT	COPPER ALLOY	Au/Ni Plated	1SET
2	CONTACT	COPPER ALLOY	Au/Ni Plated	1SET
1	HOUSING	HIGH TEMPERATURE PLASTIC	BLACK	IPCS
NO.	DESCRIPTION	MATERIAL	REMARKS	QTY

单位 UNITS	MM	制图 DRAWING	王冠	产品料号 PRODUCT PART NO.	01012-UCAP006-A
比例 SCALE	1:1	审核 CHKD	雷永健	产品名称 PRODUCT NO.	TYPE C 14P母座180度SMT H=10.0
日期 DATE	2009/10/20	核准 APPD	雷永健	画法 VIEW	
				版本 VER	A0