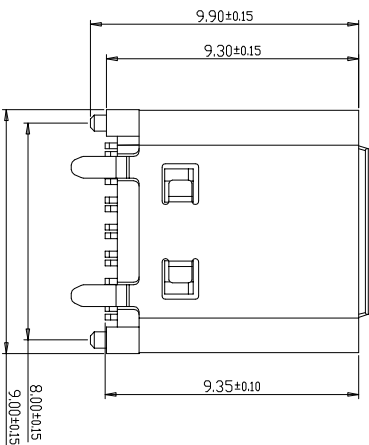
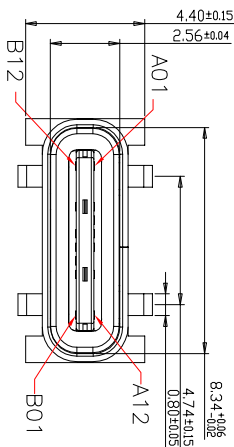
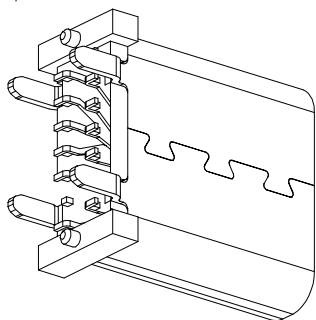


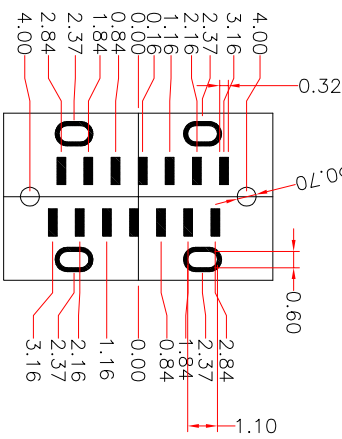
# RoHS 客户图



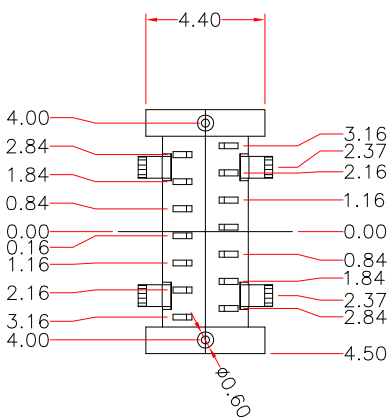
截面 1-1



- SPECIFICATIONS:
- ELECTRICAL CHARACTERISTICS:
    - CONTACT RESISTANCE: 30mΩ MAX.
    - DIELECTRIC WITHSTANDING VOLTAGE: 100V AC FOR ONE MINUTE.
    - INSULATION RESISTANCE: 100MΩ MIN. MEASURED BY 500 VDC.
  - MECHANICAL CHARACTERISTICS:
    - INSERTION FORCE: 0.5~2.0kgf(REF.)
    - WITHDRAWAL FORCE: 0.8~2.0kgf(REF.)
    - LIFE TEST: 10,000 CYCLES.
    - TO CONFORM TO THE KRCCM HAZARDOUS SUBSTANCE FREE SPEC.



RECOMMENDED PCB LAYOUT (T:1.00mm)  
TOLERANCE UNSPECIFIED ±0.05mm



A1	GND	B12	GND
A4	VBUS	B9	VBUS
A5	CCI		
A6	DPI	B7	DNE
A7	DNI	B6	DPE
A8		B5	CCE
A9	VBUS	B4	VBUS
A12	GND	B1	GND
PIN	SIGNAL NAME	PIN	SIGNAL NAME

## 产品图

PRODUCT CHART DWG

### 公差一览表

公差一览表	公差一览表	公差一览表	公差一览表
TOLERANCE UNLESS OTHERWISE SPECIFIED	TOLERANCE UNLESS OTHERWISE SPECIFIED	TOLERANCE UNLESS OTHERWISE SPECIFIED	TOLERANCE UNLESS OTHERWISE SPECIFIED
X	±0.30	X	±5°
.X	±0.25	.X	±2°
.XX	±0.30	.XX	±1°
.XXX	±0.15	.XXX	±0.5°

## 深圳市鑫风雷电子有限公司

NO.	DESCRIPTION	MATERIAL	REMARKS	QTY
6	SHELL	STAINLESS STEEL	Ni Plated	1PCS
5	SHIELDING PLATE	STAINLESS STEEL	---	1PCS
4	MD	HIGH TEMPERATURE PLASTIC	BLACK	1PCS
3	CONTACT	COPPER ALLOY	Au/Ni Plated	1SET
2	CONTACT	COPPER ALLOY	Au/Ni Plated	1SET
1	HOUSING	HIGH TEMPERATURE PLASTIC	BLACK	1PCS

## 产品图

单位	MM	制图	王冠	产品料号	01012-UCAR005-A
UNITS	MM	DRAWING		PRODUCT PART NO.	
比例	1:1	审核	雷永健	产品名称	TYPE C 14P母座180度SMT H=9.3
SCALE		CHD		PRODUCT NO.	
日期	2009/10/20	核准	雷永健	角法	
DATE		APPD		VIEW	
				版本	A0
				VER	