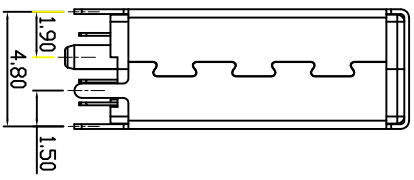
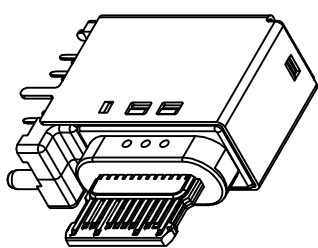
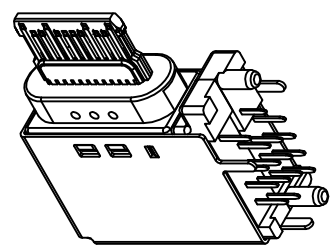
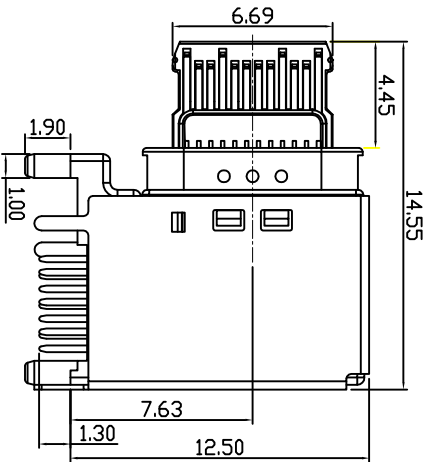
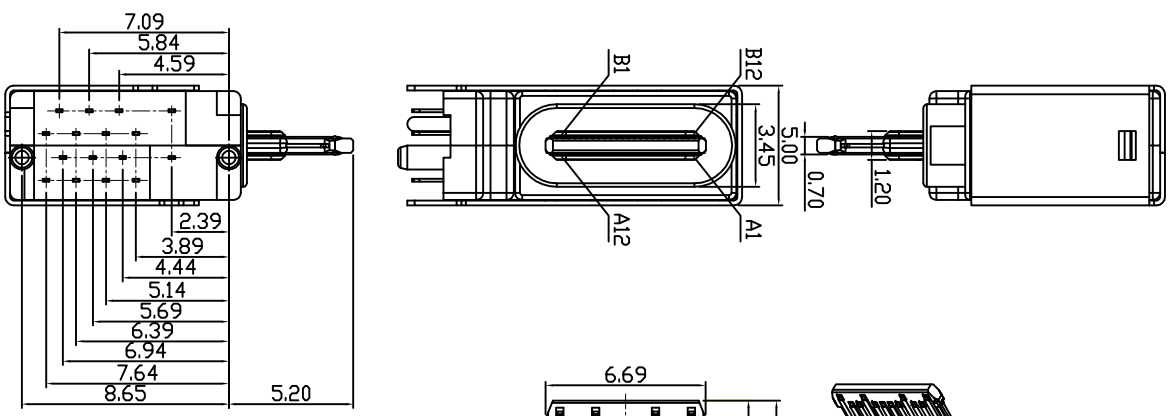


ROHS

客户图



- 备注:
1. 材质:
 - 1.1 胶芯: LCP+30%G.F UL94V-0
 - 1.2 端子: COPPER ALLOY;
 - 1.3 外壳: SUS304, T=0.20mm; 表面镀镍100μ”
 - 1.4 护板: 不锈钢, T=0.15mm;
 2. 主要特性:
 - 2.1 额定电流: 5A MIN FOR VBUS, 0.25A MIN FOR OTHER.
 - 2.2 接触阻抗: 40mΩ MAX
 - 2.3 绝缘阻抗: 100MΩ MIN 250V DC
 - 2.4 耐压测试: 250V AC
 - 2.5 沾锡性: 温度250±5℃, 时间5±0.5s
 - 2.6 整体插入力: 2.00kgf MAX
 - 2.7 整体拔出力: 0.80kgf MIN
 - 2.8 使用寿命: 100000次
 - 2.8 工作温度: -55℃~+85℃

产品图 PRODUCT CHART DWG		公差一览表 TOLERANCE UNLESS OTHERWISE			
X	±0.30				
X	±0.25	X''	±2'		
.XX	±0.30	.XX'	±1'		
.XXX	±0.15	.XXX'	±0.5'		

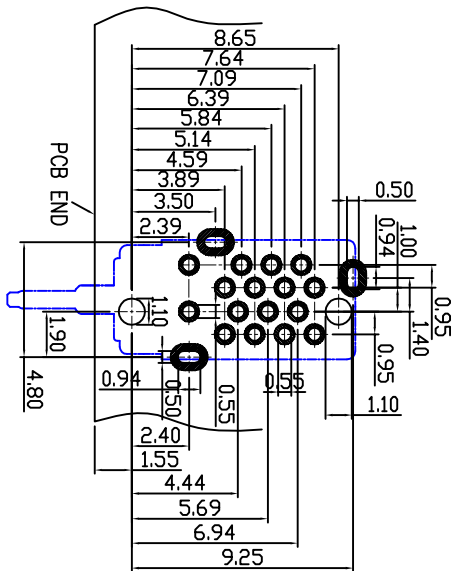
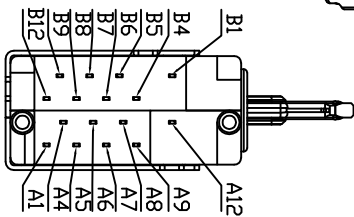
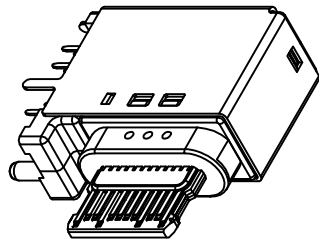
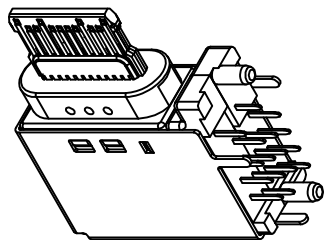
深圳市鑫风雷电子有限公司

单位 UNITS	MM	制图 DRAWING	王冠	产品料号 PRODUCT PART NO.	00201-DCAR001-X
比例 SCALE	1:1	审核 CHKD	雷永健	产品名称 PRODUCT NO.	Type c母座侧插16P纯塑
日期 DATE	2009/10/20	核准 APPD	雷永健	角法 VIEW	⊕ ⊖
				版本 VER	A0

目錄 MAPX	變更內容 MODIFICATION	日期 DATE
A0	NEW	09-10-20

ROHS

客户图



RECOMMEND P.C.B LAYOUT (THICKNESS=1.0mm)
(COMPONENT SIDE) TOLERANCE±0.02

目錄 MAPX	變更內容 MODIFICATION	日期 DATE
A0	NEW	09-10-20

Pin	Signal Name	Description	Pin	Signal Name	Description
A1	GND	Ground return	B12	GND	Ground return
A2	SSTXp1	Positive half of first SuperSpeed TX differential pair	B11	SSRXp1	Positive half of first SuperSpeed RX differential pair
A3	SSTXn1	Negative half of first SuperSpeed TX differential pair	B10	SSRXn1	Negative half of first SuperSpeed RX differential pair
A4	Vias	Bus Power	B9	Vias	Bus Power
A5	CC1	Configuration Channel	B8	SRU2	Sideband use (SRU) Channel 1
A6	Dp1	Positive half of the USB 2.0 differential pair-Position 1	B7	Dn2	Negative half of the USB 2.0 differential pair-Position 2
A7	Dn1	Negative half of the USB 2.0 differential pair-Position 1	B6	Dp2	Positive half of the USB 2.0 differential pair-Position 2
A8	SRU1	Sideband Use (SRU) Channel 1	B5	CC2	Configuration Channel 1
A9	Vias	Bus Power	B4	Vias	Bus Power
A10	SSRXn2	Negative half of second SuperSpeed RX differential pair	B3	SSTXn2	Negative half of second SuperSpeed TX differential pair
A11	SSRXp2	Positive half of second SuperSpeed RX differential pair	B2	SSTXp2	Positive half of second SuperSpeed TX differential pair
A12	GND	Ground return	B1	GND	Ground return

产品图

深圳市鑫风雷电子有限公司

公差一览表 TOLERANCE UNLESS OTHERWISE SPECIFIED		单位 UNITS	MM	制图 DRAWING	王冠	产品料号 PRODUCT PART NO.	00201-UCAR001-X
X	±0.30	X	±0.5°	审核 CHECK	雷永健	产品名称 PRODUCT NO.	Type c母座侧插16P纯塑
.XX	±0.30	.XX	±2°	核准 APPD	雷永健	角法 VIEW	版本 VERS
.XXX	±0.15	.XXX	±0.5°	日期 DATE	2009/10/20		A0