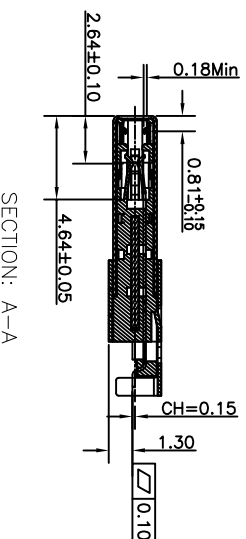
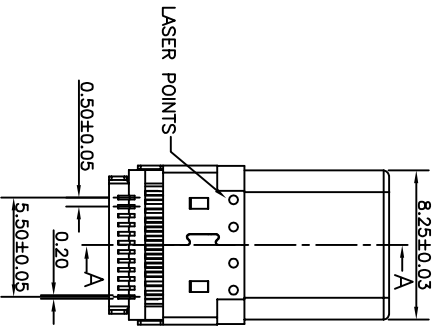
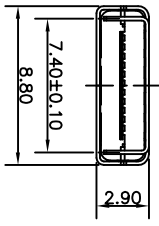
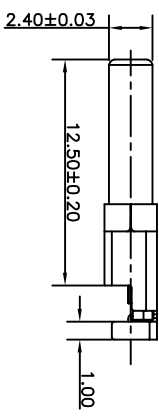
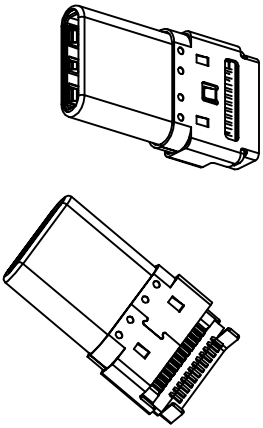
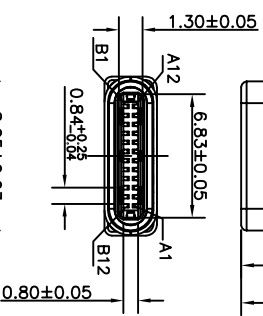
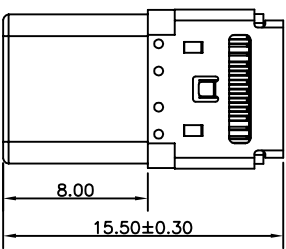


1 2 3 4 5 6 7 8 9 10

# RoHS

# 客户图

目錄 MAPX A0	變更內容 MODIFICATION NEW	日期 DATE 09-10-20
------------------	-----------------------------	------------------------



- NOTE:
- Electrical Characteristics:
    - Current Rating: 5A For Pin(A4,A9,B4,B9)  
1.25A For Others Pin
    - Insulation Resistance: 100MΩ Min.
    - Contact Resistance: 40 mΩ Max.
    - Dielectric Withstanding Voltage:100V/AC 1Minute
  - Mechanical Characteristics:
    - Insertion Force: 5~20N
    - Extraction Force: Initial: 8~20N  
After durability: 6~20N
  - Salt Spray :24H
  - Operating Temperature: -30°C TO +85°C

①	Shield	1	Stainless Steel	Bright Nickel Plating
②	Housing	4	LCP	Color: Black
③	Latch	1	Stainless Steel	
④	Contact	24	Copper Alloy	3μ" gold plated on Contact area, Matte Tin Plated on Solder joints, Nickel underplating over all
⑤	Emc Spring	2	Stainless Steel	
⑥	Shield	1	Stainless Steel	Bright Nickel Plating
ITEM	NAME	QTY	MATERIAL	DESCRIPTION

## 产品图

### PRODUCT CHART DWG

# 深圳市鑫风雷电子有限公司

公差一览表 TOLERANCE UNLESS OTHERWISE		单位 UNITS	MM	制图 DRAWING	王冠	产品料号 PRODUCT PART NO.	17003-UCAM001-X
X	±0.30	X'	±5'	审核 CHECK	雷永健	产品名称 PRODUCT NO.	TYPE C 24P公头拉伸沉板 L=15.5
.XX	±0.25	.X'	±2'	核准 APPD	雷永健	角法 VIEW	☉ ⊕
.XXX	±0.15	.XXX'	±0.5'	日期 DATE		版本 VER	A0
			2009/10/20				

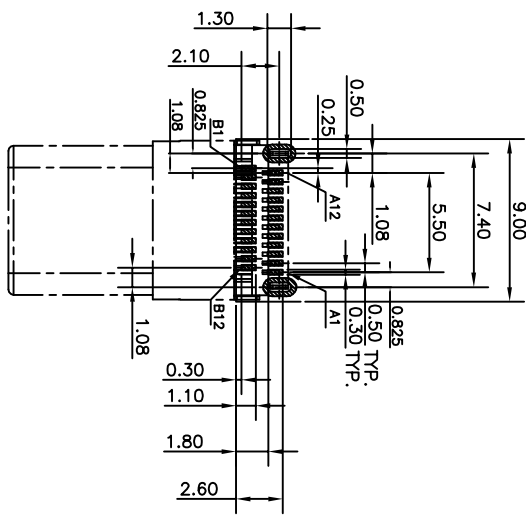
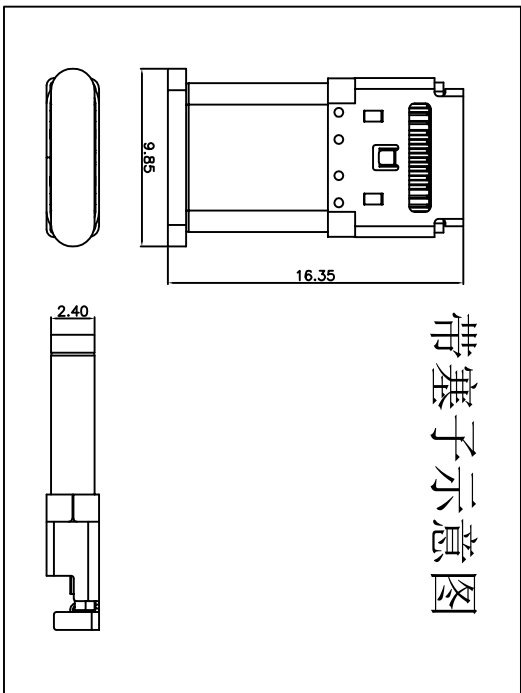
此图由深圳鑫风雷电子有限公司提供 THAT IS PROPRIETARY TO XINFENGLEI ELECTRONIC CO.,LTD AND SHOULD NOT BE USED WITHOUT WRITTEN PERMISSION

# RoHS

# 客户图

目録 MAPX A0	変更内容 MODIFICATION NEW	日期 DATE 09-10-20
------------------	-----------------------------	------------------------

## 带塞子示意图



USB TYPE-C FULL-FEATURED RECEPTACLE INTERFACE PIN ASSIGNMENTS

PIN	Signal Name	Description	PIN	Signal Name	Description
A1	GND	Ground return	B12	GND	Ground return
A2	SSTxp1	Positive half of first SuperSpeed TX differential pair	B11	SSRxp1	Positive half of first SuperSpeed RX differential pair
A3	SSTxn1	Negative half of first SuperSpeed TX differential pair	B10	SSRxn1	Negative half of first SuperSpeed RX differential pair
A4	Vbus	Bus Power	B9	VBUS	Bus Power
A5	CC1	Configuration Channel	B8	SBU2	Sideband Use(SBU)
A6	Dp1	Positive half of the USB 2.0 differential pair-Position 1	B7	Dn2	Positive half of the USB 2.0 differential pair-Position 2
A7	Dn1	Negative half of the USB 2.0 differential pair-Position 1	B6	Dp2	Negative half of the USB 2.0 differential pair-Position 2
A8	SBU1	Sideband Use(SBU)	B5	CC2	Configuration Channel
A9	VBUS	Bus Power	B4	VBUS	Bus Power
A10	SSRx2	Negative half of second SuperSpeed RX differential pair	B3	SSTx2	Negative half of second SuperSpeed TX differential pair
A11	SSRx2	Positive half of second SuperSpeed RX differential pair	B2	SSTx2	Positive half of second SuperSpeed TX differential pair
A12	GND	Ground return	B1	GND	Ground return

## 产品图

### 公差一览表

公差	UNIT	比例	日期	制图	审核	核准	产品料号	产品名称	角法	版本
±0.30	X	1:1	2009/10/20	王冠	雷永健	雷永健	17003-UCAM001-X	TYPE C 24P公头拉伸沉板 L=15.5	ISO	A0
±0.25	X	1:1								
±0.30	XX	1:1								
±0.15	XXX	1:1								

RECOMMENDED P.C.B. LAYOUT  
 T=0.80 OR 1.00mm  
 TOLERANCE UNSPECIFIED ±0.05mm

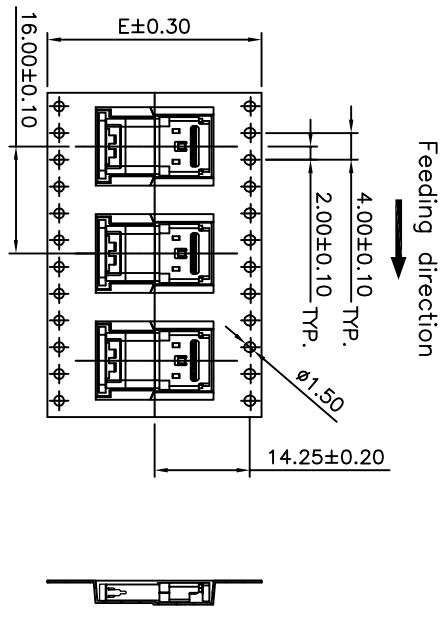
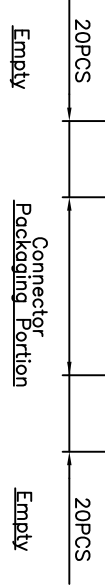
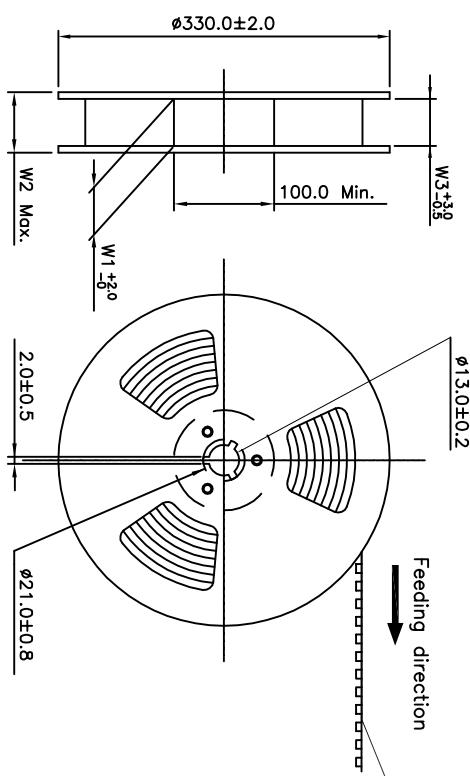
# RoHS

# 客户图

目錄 MAPX	變更內容 MODIFICATION	日期 DATE
A0	NEW	09-10-20

- NOTE :
- \* Reel Material : HIPS
  - \* Carrier Material : Clear, Conductive Polystyrene Alloy
  - \* Cover Tape Material : Polyester
  - \* Cover Tape Peel Strength : 0.1N - 1.3N
  - \* Carrier camber is within 1mm in 250mm
  - \* All dimensions meet EIA-481-B requirements.
  - \* Quantity : 1000 PCS/Reel

Dimension			Packing (Reel/Cartron)
E	W1	W2	6
32.0	32.5	36.5	
		W3	
		32.5	



WIDTH : 32 mm Carrier

### 产品图

## 深圳市鑫风雷电子有限公司

公差一览表 TOLERANCE UNLESS OTHERWISE		单位 UNITS	MM	制图 DRAWING	王冠	产品料号 PRODUCT PART NO.	17003-UCAM001-X
X	±0.30	X'	±5'	审核 CHKD	雷永健	产品名称 PRODUCT NO.	TYPE C 24P公头拉伸沉板 L=15.5
.XX	±0.25	.X'	±2'	核准 APPD	雷永健	角法 VIEW	TYPE C 24P公头拉伸沉板 L=15.5
.XX	±0.30	.XX'	±1'	日期 DATE	2009/10/20	版本 VER	A0
.XXX	±0.15	.XXX'	±0.5'				