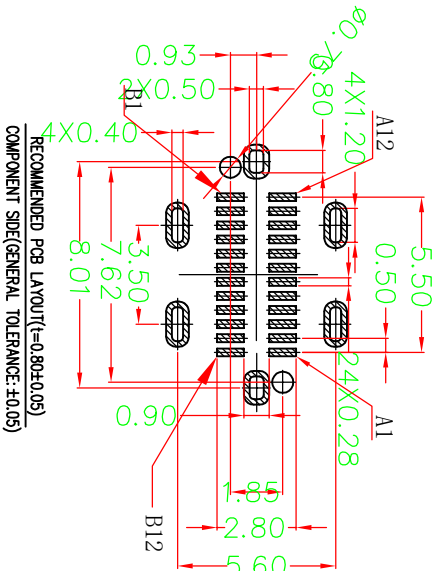
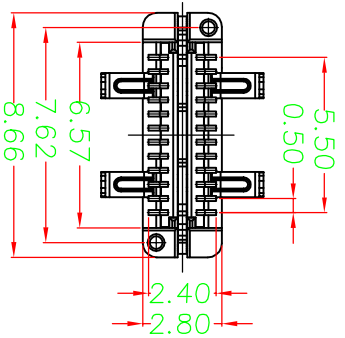
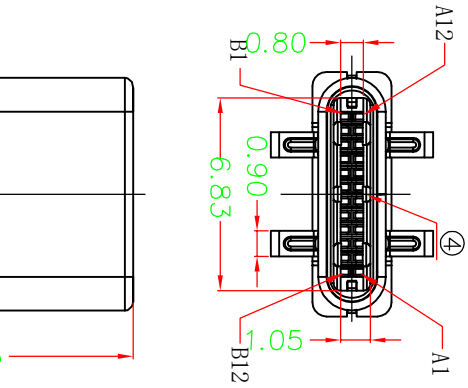
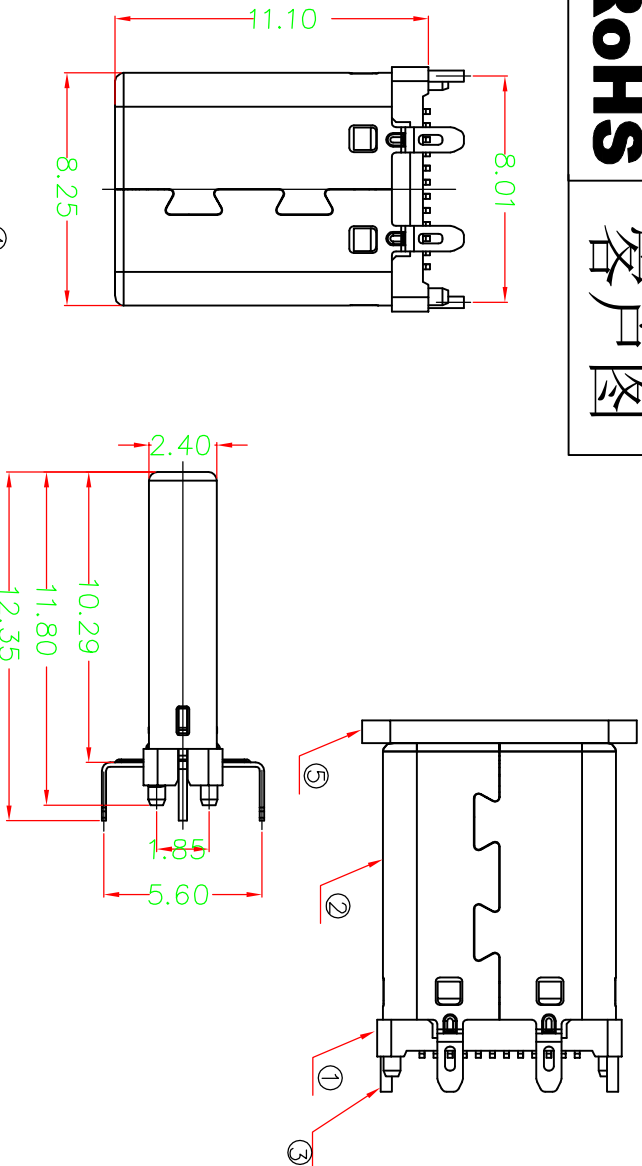


ROHS

客户图



RECOMMENDED PCB LAYOUT (=0.80±0.05)
COMPONENT SIDE(GENERAL TOLERANCE:±0.05)

- NOTES:
SPECIFICATION:
- CURRENT RATING: 3.0A MAX
 - VOLTAGE: 100 VAC
 - TEMPERATURE RANGE: - 30 °C ~ 85 °C
 - CONTACT RESISTANCE: 40 MILLIONHM MAX
 - INSULATION RESISTANCE: 100 MEGOHMS MIN.
 - INSERTION FORCE : 5N~20N
 - UNMATING FORCE: 8N~20N
 - DURABILITY: 10,000 CYCLES

Pin	Signal Name	Pin	Signal Name
A1	GND	B12	GND
A2	SSTXP1	B11	SSRXP1
A3	SSTXN1	B10	SSRXP1
A4	VBUS	B9	VBUS
A5	CCI	B8	SBU2
A6	DP1	B7	DN2
A7	DN1	B6	DP2
A8	SBU1	B5	CC2
A9	VBUS	B4	VBUS
A10	SSRXN2	B3	SSTXN2
A11	SSRXP2	B2	SSTXP2
A12	GND	B1	GND

产品图 PRODUCT CHART DWG		单位 UNITS		制图 DRAWING		产品料号 PRODUCT PART NO	
公差一览表 TOLERANCE UNLESS OTHERWISE		MM		王冠		00721-UCAM002-X	
X	±0.30	X	±5°	审核 CHECK		产品名称 PRODUCT NO	
X	±0.25	X	±2°	王冠		TYPE C公头直立式四支脚	
XX	±0.30	XX	±1°	日期 DATE		角法 VIEW	
XXX	±0.15	XXX	±0.5°	2009/10/20		版本 VER	
				批准 APPR		A0	
				雷永健			

深圳市鑫风雷电子有限公司