

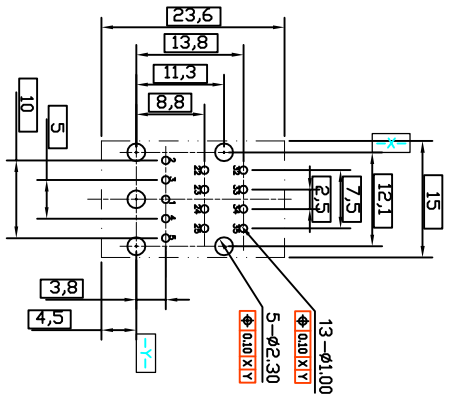
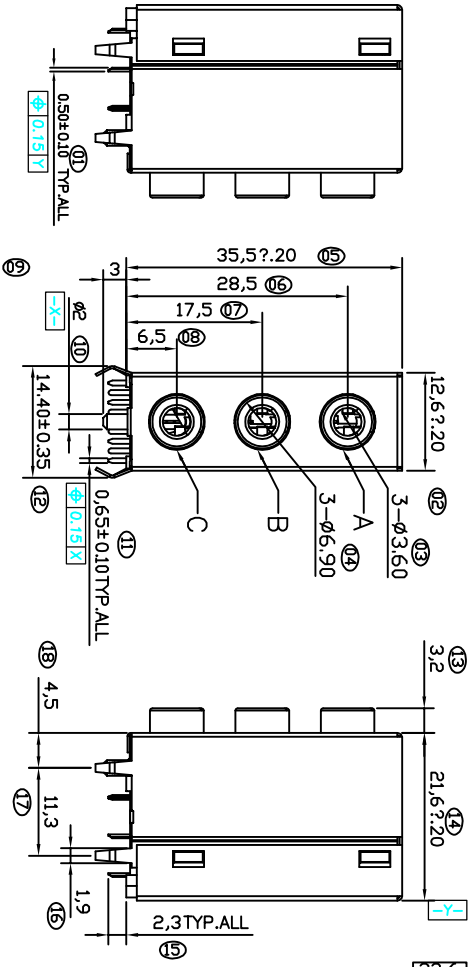
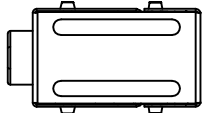
ROHS

客户图

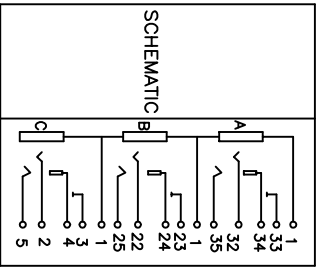
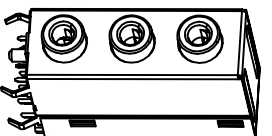
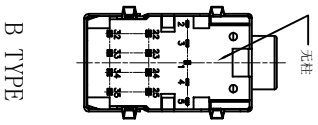
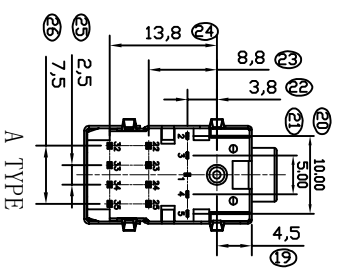
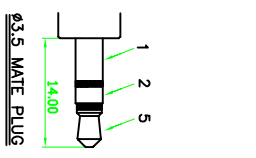
目錄
MAPX
A0

變更內容
MODIFICATION
NEW

日期
DATE
09-10-20



RECOMMENDED PCB LAYOUT
COMPONENT SIDE
TOLERANCE: ±0.05



ITEM	NAME	MATERIAL	FINISH	QTY
19	A-Plastic Bushing	PA66+15%GF, UL94V-0	Pantone #284C(Light Blue)	1
18	B-Plastic Bushing	PA66+15%GF, UL94V-0	Pantone #577C(Lime)	1
17	C-Plastic Bushing	PA66+15%GF, UL94V-0	Pantone #701C(Pink)	1
16	Housing	PBT+30%GF, UL94V-0	Black	1
15	Cover	PBT+30%GF, UL94V-0	Black	1
14	Shield	SPCC-SD	Bright Tin Plated Cover Nickel Plated	1
13	3-Tip Terminal	C2680R-EH	Tin Plated & Nickel Plated	1
12	3-TS Terminal	C2680R-EH	Au1-3" & Tin Plated & Nickel Plated	1
11	3-RS Terminal	C2680R-EH	Au1-3" & Tin Plated & Nickel Plated	1
10	3-Ring Terminal	C2680R-EH	Tin Plated & Nickel Plated	1
9	2-Tip Terminal	C2680R-EH	Tin Plated & Nickel Plated	1
8	2-TS Terminal	C2680R-EH	Tin Plated & Nickel Plated	1
7	2-RS Terminal	C2680R-EH	Tin Plated & Nickel Plated	1
6	2-Ring Terminal	C2680R-EH	Tin Plated & Nickel Plated	1
5	Tip Terminal	C2680R-EH	Tin Plated & Nickel Plated	1
4	TS Terminal	C2680R-EH	Tin Plated & Nickel Plated	1
3	RS Terminal	C2680R-EH	Tin Plated & Nickel Plated	1
2	Ring Terminal	C2680R-EH	Tin Plated & Nickel Plated	1
1	Sleeve Terminal	C2680R-EH	Au1-3" & Tin Plated & Nickel Plated	1

产品图

深圳市鑫风雷电子有限公司

公差一览表
TOLERANCE UNLESS OTHERWISE SPECIFIED

UNIT	SCALE	TOLERANCE
MM	1:1	±0.30
MM	1:1	±0.25
MM	1:1	±0.30
MM	1:1	±0.15

UNIT	SCALE	DATE	DATE
MM	1:1	2009/10/20	2009/10/20

THAT IS PROPRIETARY TO XINFENGLI ELECTRONIC CO.,LTD AND SHOULD NOT BE USED WITHOUT WRITTEN PERMISSION