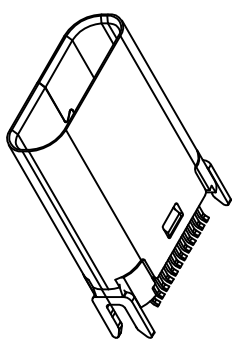
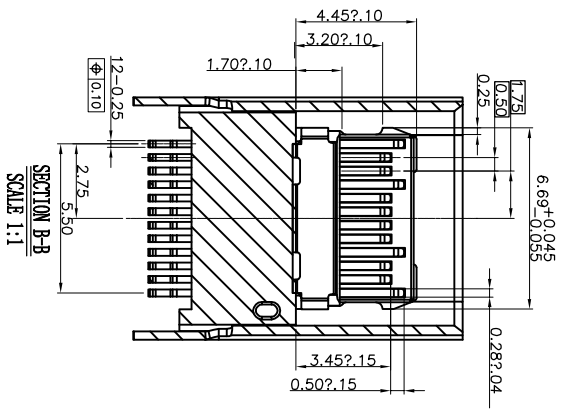
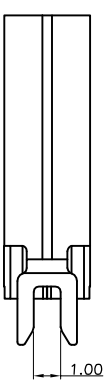
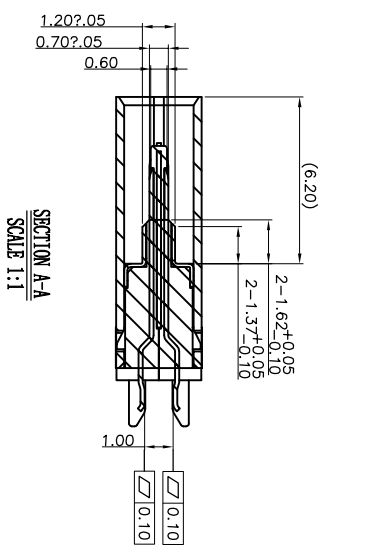
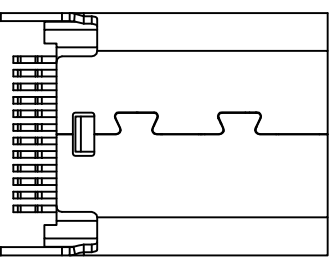
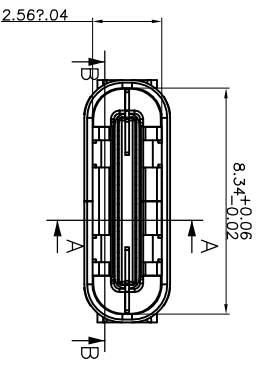
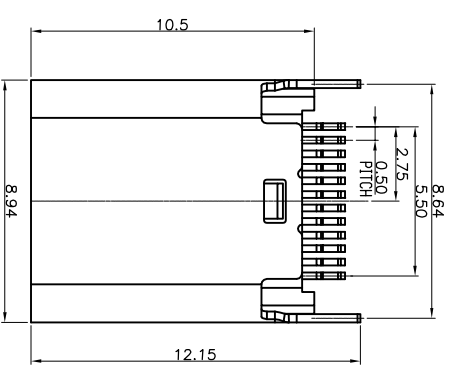


RoHS 客户图

目錄 MAPX	變更內容 MODIFICATION	日期 DATE
A0	NEW	09-10-20



- NOTES:
- 1.MATERIAL:
MOLDING: LCP UL94 V-0
CONTACT: COPPER ALLOY.
GOLD PLATING ALL OVER 50u" Min NICKEL
AND 100u" Min Tin ALL OVER 50u" Min NICKEL
ON SOLDER AREA
 - 2.MECHANICAL:
SHELL: SUS304-H,T=0.30±0.03mm
50u" NICKEL PLATING OVER ALL.
SHILD:SUS304-H,T=0.12±0.03mm
 - 3.ELECTRICAL:
INSERTION: 5~20N.
EXTRACTION: 8~20N.
DURABILITY: 10000 CYCLES
 - 4.ENVIRONMENTAL
CURRENT: 5A MIN FOR VBUS;
0.25A MIN FOR OTHER.
VOLTAGE: 20 V MAX
WITHSTANDING VOLTAGE: 100V AC.
CONTACT RESISTANCE: 40mΩ MAX.
INSULATION RESISTANCE: 100MΩ MIN.
TEMPERATURE RANGE -55°C ~ +85°C

产品图

PRODUCT CHART DWG

深圳市鑫风雷电子有限公司

公差一览表 TOLERANCE UNLESS OTHERWISE		单位 UNITS	MM	制图 DRAWING	王冠	产品料号 PRODUCT PART NO.	00501-UCAF001-X
X	±0.30	X'	±5'	审核 CHKD	雷永健	产品名称 PRODUCT NO.	TYPE C母座夹板: 0 L=10.5
XX	±0.25	XX'	±2'	核准 APPD	雷永健	角法 VIEW	⊕ ⊖
XXX	±0.50	XXX'	±1'	日期 DATE	2009/10/20	版本 VER	A0
XXX	±0.15	XXX'	±0.5'				

1

2

3

4

5

6

7

8

9

10

RoHS 客户图

目錄
MAPX

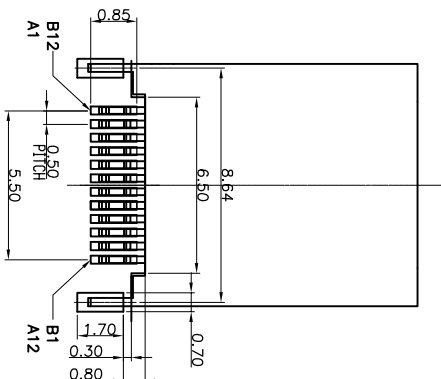
變更內容
MODIFICATION

日期
DATE

A0

NEW

09-10-20



RECOMMENDED P.C.B. LAYOUT (T:1.00mm)
TOLERANCE UNSPECIFIED ±0.05mm

PIN	Signal Name	Description	PIN	Signal Name	Description
A1	GND	Ground return	B12	GND	Ground return
A2	SSTKp1	Positive half of first SuperSpeed TX differential pair	B11	SSRkp1	Positive half of first SuperSpeed RX differential pair
A3	SSTKn1	Negative half of first SuperSpeed TX differential pair	B10	SSRkn1	Negative half of first SuperSpeed RX differential pair
A4	Vbus	Bus Power	B9	Vbus	Bus Power
A5	CC1	Configuration Channel	B8	SBu2	Sideband Use (SBU)
A6	Dp1	Positive half of the USB 2.0 differential pair-Position 1	B7	Dn2	Negative half of the USB 2.0 differential pair-Position 2
A7	Dn1	Negative half of the USB 2.0 differential pair-Position 1	B6	Dp2	Positive half of the USB 2.0 differential pair-Position 2
A8	SBu1	Sideband Use (SBU)	B5	CC2	Configuration Channel
A9	Vbus	Bus Power	B4	Vbus	Bus Power
A10	SSRKn2	Negative half of second SuperSpeed RX differential pair	B3	SSTKn2	Negative half of second SuperSpeed TX differential pair
A11	SSRkp2	Positive half of second SuperSpeed RX differential pair	B2	SSTKp2	Positive half of second SuperSpeed TX differential pair
A12	GND	Ground return	B1	GND	Ground return

产品图

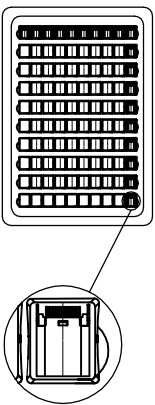
深圳市鑫风雷电子有限公司

公差一览表 TOLERANCE UNLESS OTHERWISE SPECIFIED		单位 UNITS	比例 SCALE	日期 DATE	制图 DRAWING	审核 CHKD	核准 APPD	产品料号 PRODUCT PART NO.	产品名称 PRODUCT NO.	角法 VIEW	版本 VER
X	±0.30	X'	±5'		王冠	雷永健	雷永健	00501-UCAP001-X	TYPE C母座夹板1.0 L=10.5	☉	A0
X	±0.25	X'	±2'		王冠	雷永健	雷永健			☐	
.XX	±0.30	.XX'	±1'							☐	
.XXX	±0.15	.XXX'	±0.5'	2009/10/20						☐	

RoHS 客户图

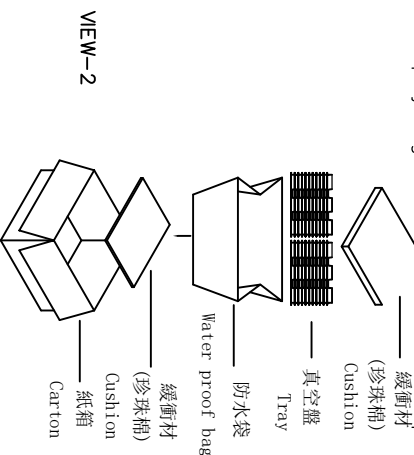
目錄 MAPX	變更內容 MODIFICATION	日期 DATE
A0	NEW	09-10-20

1. 將成品依同一方向放入真空盤內, 如圖所示。
At same direction, put product onto the tray.
Direction refers to below drawing.



2. 每1個紙箱可放置之包裝盤(包括上蓋)見下表。
1) trays per carton, please see next table.

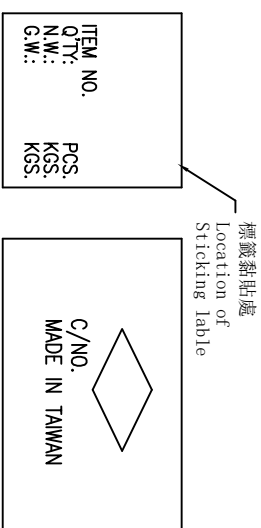
3) The Qty of products per carton please see next table.
將裝滿成品的真空盤用 PE 帶捆緊後放在塑膠袋內 (10 盤一捆), 裝完後再封箱。
3) Bind the trays with PE tape and then (a bundle of 10 trays), put them into the poly bag. Seal the carton with tape.



(The detail of the packing)

包裝明細表	(Packing Capacity)		Weight (Kg)			
產品料號 (Product No.)	包裝容量 pcs/box	boxes/Carton	Pcs/Box	N.W./Pcs	N.W./Box	G.W./Box
	100	70	7000			

3. 1). 將標籤貼於紙箱側上方。
Stick the needful label On the up-right corner of the side of carton.



備註(REMARK)
1. 若有未裝滿之零數箱, 必須以緩衝材塞滿。
The unfilling-carton must be filled with assuagement.
2. 防水袋需用膠帶貼實且封口。
waterproof plastic bag must be folded up.
3. 裝滿成品后之外箱, 最大堆積箱數: 5 箱
About the box fully filled with products, the MAX accumulating quantity of boxes is 5.
4. 如須貼Bar-code, 請依Bar-code 作業辦法執行
If barcode lable is required, do it according to the related barcode lable operation standards.

產品圖

深圳市鑫风雷电子有限公司

公差一覽表		單位	MM	制圖	王冠	產品料號	00501-UCAR001-X
TOLERANCE UNLESS OTHERWISE		UNITS		DRAWING	CHD	PRODUCT PART NO.	
X	±0.30	X	±5'	比例	1:1	審核	雷永健
.XX	±0.25	X'	±2'	日期	2009/10/20	核准	雷永健
.XXX	±0.15	XXX'	±1.5'	角法		PRODUCT NO.	TYPE C母座夾板1.0 L=10.5
				核對		VIEW	版本
							A0