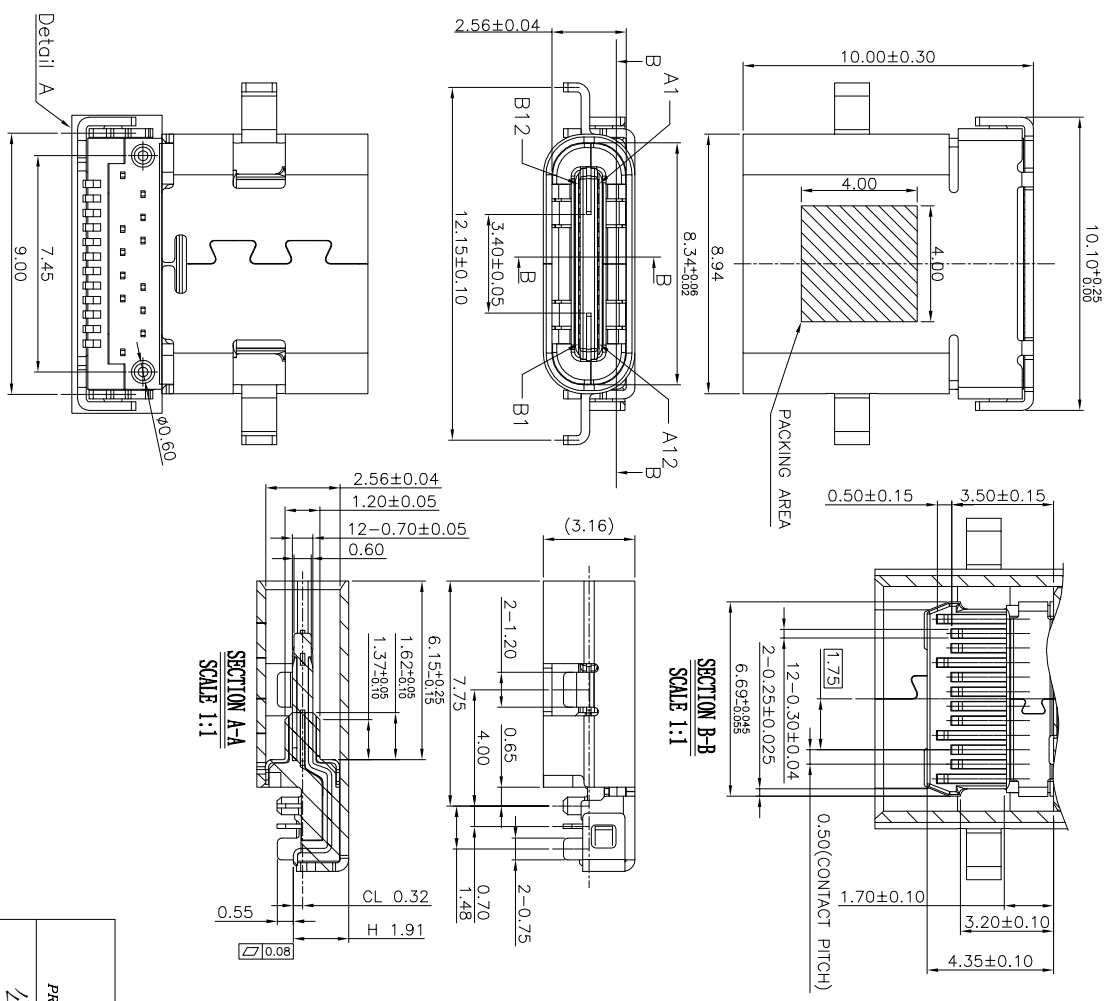


ROHS 客户图



NOTES: 1. MATERIAL:

MOLDING: LCP UL94 V-0
CONTACT: COPPER ALLOY.

GOLD PLATED Min ON CONTACT AREA, 100u"

Min TIN (LEAD FREE) ON SOLDER AREA,

SHELL: SUS304-H, T=0.30±0.03mm

50u" NICKEL PLATING OVER ALL.

SHLD: SUS304-H, T=0.12±0.03mm

2. MECHANICAL:

INSERTION: 5~20N.

EXTRACTION: 8~20N.

DURABILITY: 10000 CYCLES

3. ELECTRICAL:

CURRENT: 5A MIN FOR VBUS;

0.25A MIN FOR OTHER.

VOLTAGE: 20 V MAX

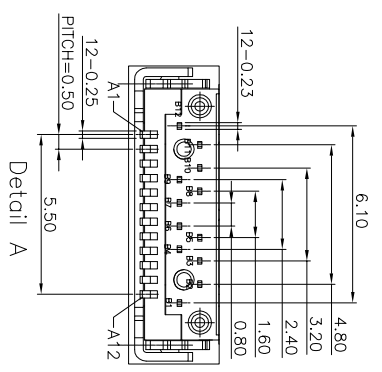
WITHSTANDING VOLTAGE: 100V AC.

CONTACT RESISTANCE: 40mΩ MAX.

INSULATION RESISTANCE: 100MΩ MIN.

4. ENVIRONMENTAL

TEMPERATURE RANGE -55°C ~ +85°C



产品图
PRODUCT CHART DWG

深圳市鑫风雷电子有限公司

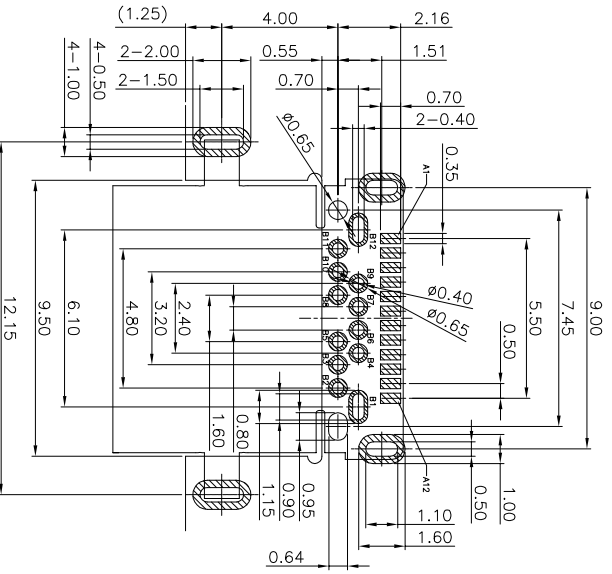
公差一览表 TOLERANCE UNLESS OTHERWISE		单位 UNITS	MM	制图 DRAWING	王冠	产品料号 PRODUCT PART NO.	00501-UCAF008-X
X	±0.30	X'	±5°	审核 CHKD	雷永健	产品名称 PRODUCT NO.	TYPE C母座沉板前置插01P-SMT 24P L=10.0
X	±0.25	XX'	±2'	核准 APPD	雷永健	角法 VIEW	版本 VER
XXX	±0.15	.XXX'	±0.5'	日期 DATE			A0

ROHS 客户图

目錄 MAPX	變更內容 MODIFICATION	日期 DATE
A0	NEW	09-10-20

USB TYPE-C FULL-FEATURED RECEPTACLE INTERFACE PIN ASSIGNMENTS

PIN	Signal Name	Description	PIN	Signal Name	Description
A1	GND	Ground return	B12	GND	Ground return
A2	SSTxp1	Positive half of first SuperSpeed TX differential pair	B11	SSRXp1	Positive half of first SuperSpeed RX differential pair
A3	SSTXn1	Negative half of first SuperSpeed TX differential pair	B10	SSRXn1	Negative half of first SuperSpeed RX differential pair
A4	Vbus	Bus Power	B9	Vbus	Bus Power
A5	CC1	Configuration Channel	B8	SBU2	Sideband Use (SBU)
A6	Dp1	Positive half of the USB 2.0 differential pair-Position 1	B7	Dn2	Negative half of the USB 2.0 differential pair-Position 2
A7	Dn1	Negative half of the USB 2.0 differential pair-Position 1	B6	Dp2	Positive half of the USB 2.0 differential pair-Position 2
A8	SR01	Sideband Use (SR0)	B5	CC2	Configuration Channel
A9	Vbus	Bus Power	B4	Vbus	Bus Power
A10	SSRXn2	Negative half of second SuperSpeed RX differential pair	B3	SSTXn2	Negative half of second SuperSpeed TX differential pair
A11	SSRXp2	Positive half of second SuperSpeed RX differential pair	B2	SSTXp2	Positive half of second SuperSpeed TX differential pair
A12	GND	Ground return	B1	GND	Ground return



RECOMMEND P.C.B LAYOUT(COMPONENT SIDE)
TOLERANCE FOR PCB LAYOUT IS ± 0.05
KEEP OUT ARE

产品图 深圳市鑫风雷电电子有限公司

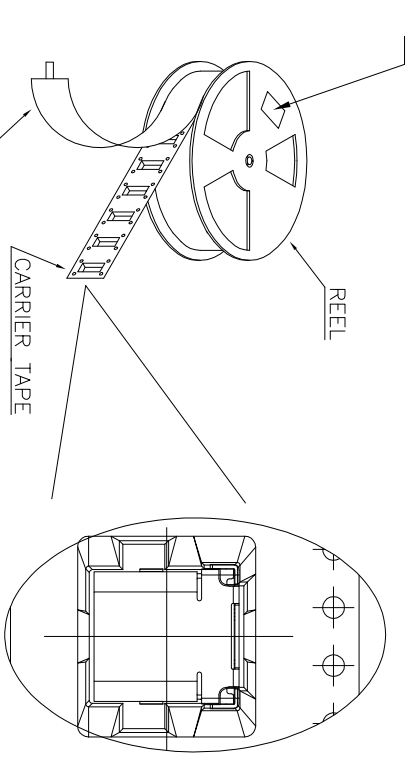
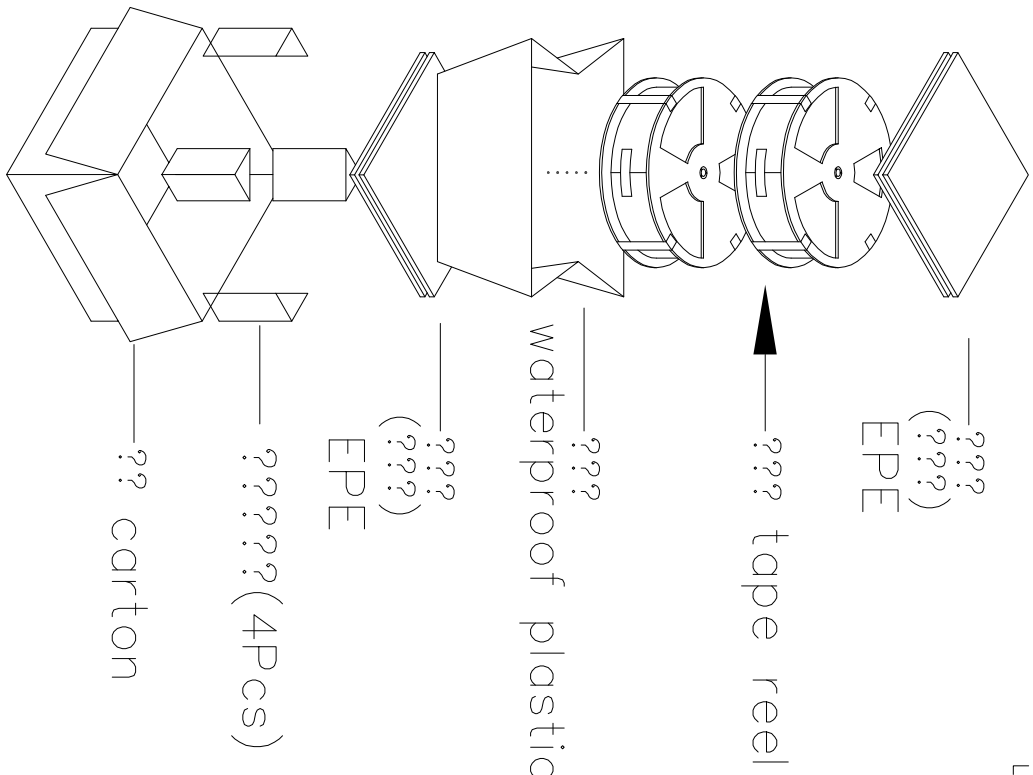
公差一览表 TOLERANCE UNLESS OTHERWISE SPECIFIED		单位 UNITS	MM	制图 DRAWING	王冠	产品料号 PRODUCT PART NO.	00501-UCAF008-X
X	±0.30	X'	±5°	比例 SCALE	1:1	审核 CHKD	雷永健
XX	±0.30	XX'	±2'	日期 DATE	2009/10/20	核准 APPD	雷永健
XXX	±0.15	XXX'	±0.5°	角法 VIEW		版本 VER	A0

RoHS 客户图

目錄 MAPX A0	變更內容 MODIFICATION NEW	日期 DATE 09-10-20
------------------	-----------------------------	------------------------

at small positioning hole of the carrier tape side).
 ??? (????????????????)

Location of label sticking (label



NOTE:

1. 每捲包裝數量及每箱裝箱數量如左下表格
Packing qty of each reel & carton as below table shown.
2. 以上膠帶覆蓋下包裝帶經包裝機熱熔包裝
Use cover tape to cover and hot melt machine to seal up.
3. 每個紙箱放2個珍珠棉
Every carton use 2pcs EPE.
4. 將裝滿產品的卷盤放入紙箱並以膠帶封口
Put reels in the carton and use adhesive tape to seal up.

產品圖

深圳市鑫風雷電子有限公司

PRODUCT CHART DMC

公差一覽表

TOLERANCE UNLESS OTHERWISE	X'	X"	X'''	±5°	±2°	±1°
X	±0.30	X'	X''	±5°	±2°	±1°
X	±0.25	X'	X''	±2°	±1°	±0.5°
XX	±0.30	XX'	XX''	±1°	±0.5°	±0.5°
.XXX	±0.15	.XXX'	.XXX''	±0.5°		

單位 UNITS	MM	制圖 DRAWING	王冠 CHAO	產品料號 PRODUCT PART NO.
比例 SCALE	1:1	審核 CHECK	雷永健	00501-UCAF008-X
日期 DATE	2009/10/20	核准 APPD	雷永健	產品名稱 PRODUCT NO.
				TYPE C每捲放載前抽后抽DIP-SMT 24P L=10.0
				角法 VIEW
				版本 VER
				A0

產品料號 (PRODUCT No.)	包裝 PCS/REEL	容量 REELS/CARTON	(PACKING CAPACITY)	重量 N.W./PCS	重量 N.W./BOX
XFL 01-UCAF008-X	1000	8	PCS/CARTON	8000	G.W./BOX