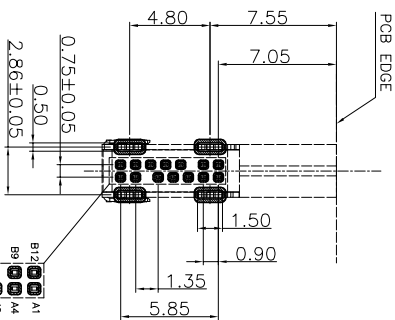
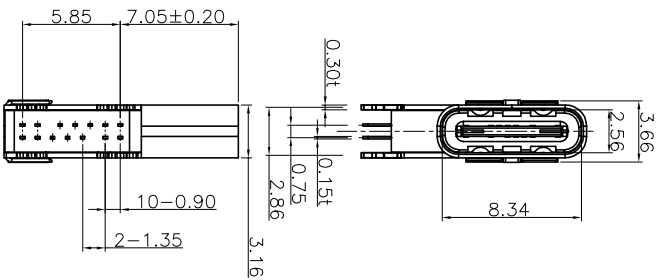
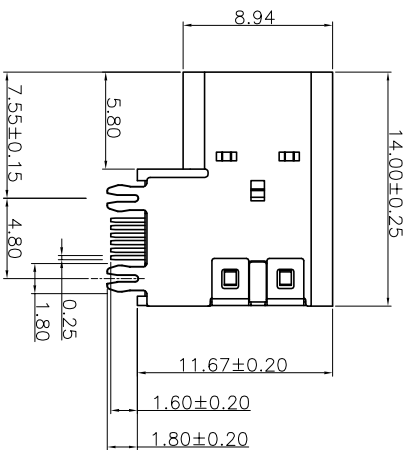
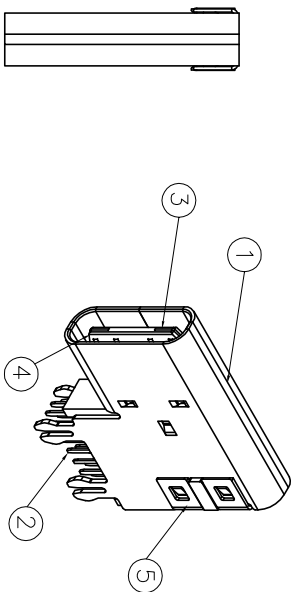


ROHS

客户图

目錄 MAPX A0	變更內容 MODIFICATION NEW	日期 DATE 09-10-20
------------------	-----------------------------	------------------------

PCB板厚建议1.0~1.2MM



RECOMMENDED P.C.B. LAYOUT TOLERANCE UNSPECIFIED ±0.05mm

- B12
- B9
- B8
- B7
- B6
- B5
- B4
- A9
- A8
- A7
- A6
- A5
- A4
- A1

PIN	SIGNAL NAME	PIN	SIGNAL NAME
A1	GND	B12	GND
A4	VBUS	B9	VBUS
A5	CC1	B7	DN2
A6	DP1	B6	DP2
A7	DN1	B5	CC2
A9	VBUS	B4	VBUS
A12	GND	B1	GND

- SPECIFICATIONS:
- MECHANICAL :
 - 1.1 INSERTION FORCE :5N~20N
 - 1.2 WITHDRAWAL FORCE :8N~20N AFTER 10,000 CYCLES MATING: 2N MIN.
 - ELECTRICAL :
 - 2.1 CONTACT CURRENT RATING: 3A .
 - 2.2 VOLTAGE RATING :30V AC (rms)
 - 2.3 WITHSTANDING VOLTAGE: 100 VAC FOR 1 MINUTE. INSULATION RESISTANCE: 100 MEGAOHMS MIN.
 - 2.4 CONTACT RESISTANCE: 40 MILLIOHMS MAX.
 - ENVIRONMENTAL :
 - 3.1 OPERATING TEMPERATURE: -25°C TO +85°C

NO.	DESCRIPTION	MATERIAL	COLOR	REMARK
1	SHELL	STAINLESS STEEL	—	Ni Plated
2	TYPE C TERMINAL	COPPER ALLOY	—	Gold Plated
3	CENTER PIECE	STAINLESS STEEL	—	NO Plated
4	TYPE C MD	HIGH TEMP	BLACK	UL 94V-0
5				
6				
7				

产品图

深圳市鑫风雷电子有限公司

公差一览表 TOLERANCE UNLESS OTHERWISE		单位 UNITS	MM	制图 DRAWING	王冠	产品料号 PRODUCT PART NO.	01008-UCAP003-X
X	±0.30	X'	±5'	比例 SCALE	1:1	审核 CHKD	雷永健
XX	±0.25	XX'	±2'	日期 DATE	2009/10/20	核准 APPD	雷永健
XXX	±0.15	XXX'	±0.5'	角法 VIEW		版本 VER	A0