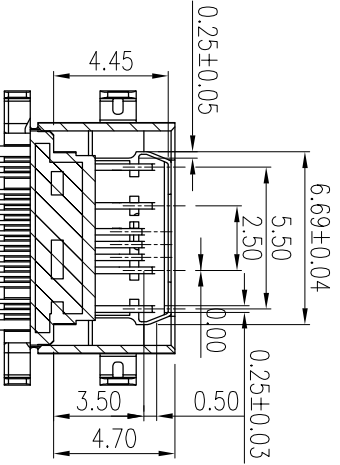
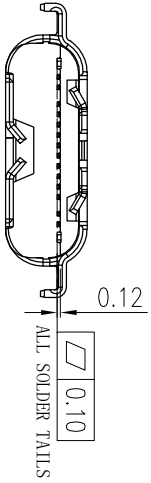
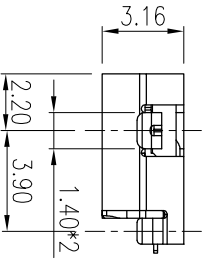
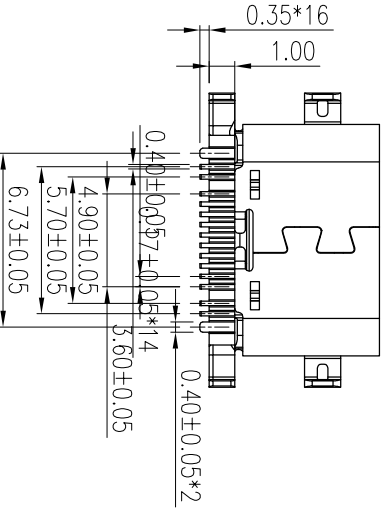
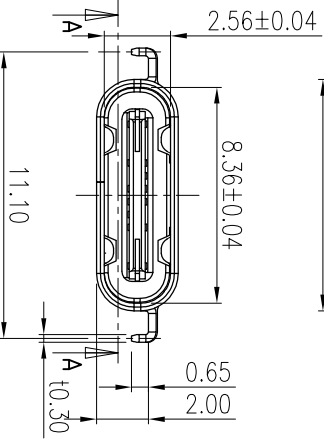
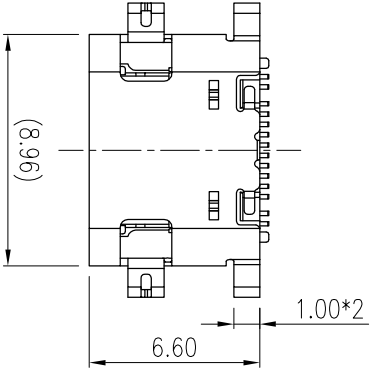
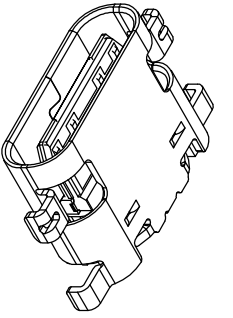
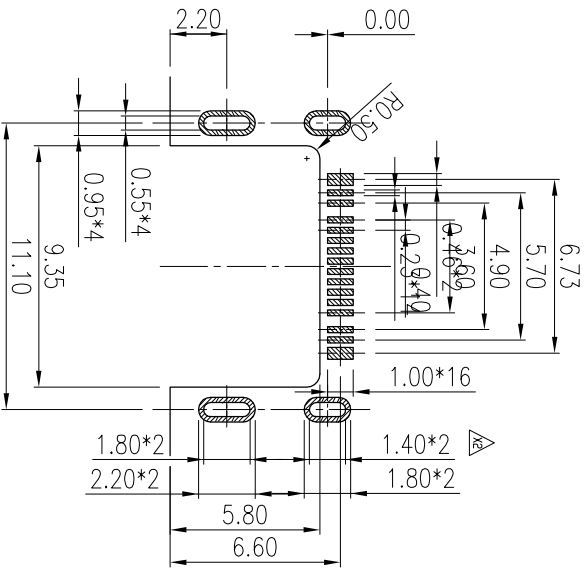


# RoHS 客户图



SECTION A-A



RECOMMENDED P.C. BOARD LAYOUT (TOP VIEW)  
TOLERANCES UNLESS OTHERWISE SPEC ±0.05

- NOTE:
- 1.1 MATERIAL: HIGH TEMPERATURE PLASTIC UL 94 V-0;
  - 1.2 CONTACT: COPPER ALLOY(T=0.12mm)
  - 1.3 SHELL: STAINLESS STEEL(T=0.30mm)
2. ELECTRICAL CHARACTERISTICS:
- 2.1 CONTACT RESISTANCE: 40mΩ Max FOR INITIAL, 10mΩ CHANGE AFTER TEST; MEASURE AT 20mV, 100mA.
  - 2.2 CONTACT CURRENT RATING: 1.5A FOR VBUS PIN; 1.5A FOR VCONN PIN.
  - 2.3 DIELECTRIC WITHSTANDING VOLTAGE: 100V AC R.M.S.
  - 2.4 INSULATION RESISTANCE 100MΩ Min
  - 2.5 OPERATING TEMPERATURE: -40° C ~ 85° C
3. MECHANICAL CHARACTERISTICS:
- 3.1 MATING FORCE: 5~20 N.
  - 3.2 UNMATED FORCE: 8~20N AFTER TEST
  - 3.3 DURABILITY: 5000 CYCLES

公差一览表 TOLERANCE UNLESS OTHERWISE		单位 UNITS	
X	±0.30	X	±5°
X	±0.25	X	±2°
XX	±0.30	XX	±1°
XXX	±0.15	XXX	±0.5°

比例 SCALE	日期 DATE	制图 DRAWING	审核 CHKD	核准 APPR	产品料号 PRODUCT PART NO.	产品名称 PRODUCT NO.	角法 VIEW	版本 VER
1:1	2009/10/20	王冠	雷永健	雷永健	12001-UCAR003-X	TYPE C母座单排14P 沉板2.0	⊕	A0

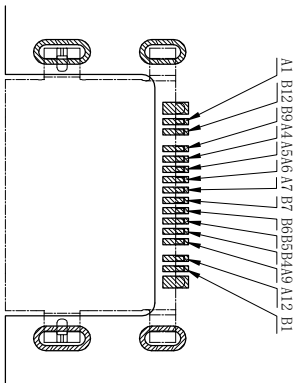
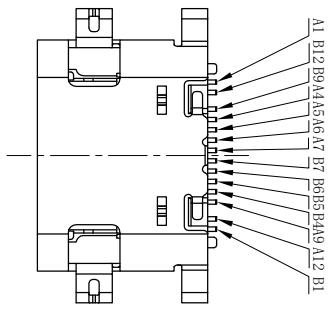
## 深圳市鑫风雷电子有限公司

产品图  
PRODUCT CHART DWG

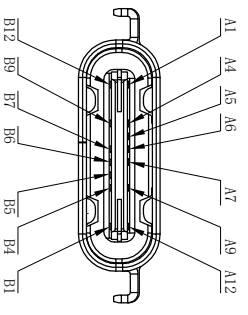
目録 MAPX	变更内容 MODIFICATION	日期 DATE
A0	NEW	09-10-20

# RoHS 客户图

目錄 MAPX	变更内容 MODIFICATION	日期 DATE
A0	NEW	09-10-20



PCB



USB TYPE C 2.0 单PIN温升示意图

1.5A	A9	
1.5A	A4	
1.5A	B4	
1.5A	B9	
1.5A	A1	
1.5A	A12	
1.5A	B1	
1.5A	B12	
0.25A	A7	
	A6	
	B7	
	B6	
	B5	

NO	NAME	DESCRIPTION	NO	NAME	DESCRIPTION
A1	GND	GROUND RETURN	B12	GND	GROUND RETURN
A4	VBUS	BUS POWER	B9	VBUS	BUS POWER
A5	CC1	CONFIGURATION CHANNEL	B7	DN2	NEGATIVE HALF OF USB 2.0 DIFFERENTIAL PAIR -POSITION1
A6	DP1	POSITIVE HALF OF USB 2.0 DIFFERENTIAL PAIR -POSITION1	B6	DP2	POSITIVE HALF OF USB 2.0 DIFFERENTIAL PAIR -POSITION1
A7	DN1	NEGATIVE HALF OF USB 2.0 DIFFERENTIAL PAIR -POSITION1	B5	CC2	CONFIGURATION CHANNEL
A9	VBUS	BUS POWER	B4	VBUS	BUS POWER
A12	GND	GROUND RETURN	B1	GND	GROUND RETURN

## 产品图

公差一览表 TOLERANCE UNLESS OTHERWISE SPECIFIED		单位 UNITS	MM	制图 DRAWING	王冠	产品料号 PRODUCT PART NO.	12001-UCAR003-X
X	±0.30	X	±5°	审核 CHECK	雷永健	产品名称 PRODUCT NO.	TYPE C母座单排14P 沉板2.0
.XX	±0.25	.X	±2°	核准 APPD	雷永健	角法 VIEW	TYPE C母座单排14P 沉板2.0
.XXX	±0.30	.XX	±1°	日期 DATE	2009/10/20	版本 VER	A0
	±0.15	.XXX	±0.5°				