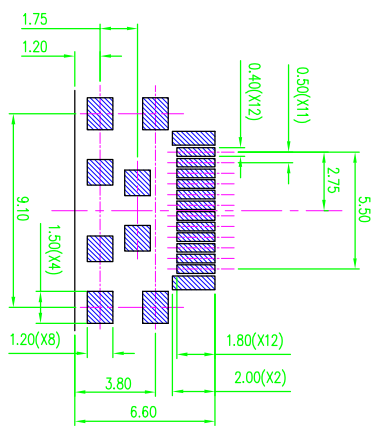
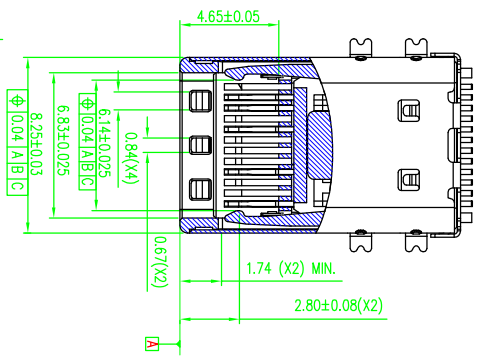
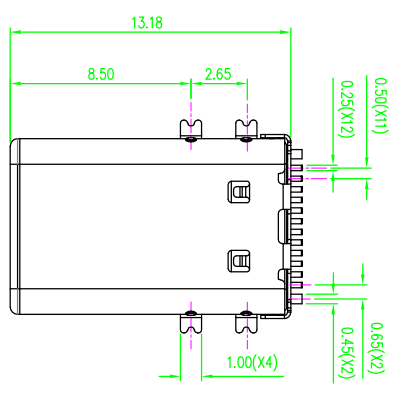


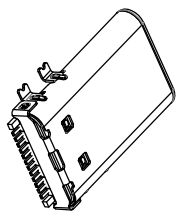
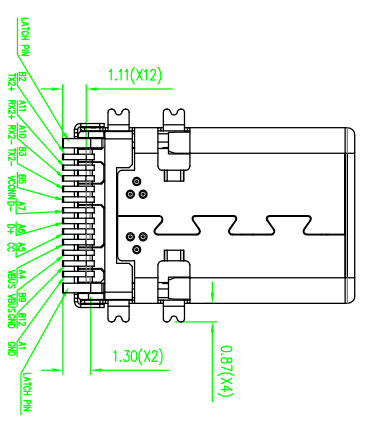
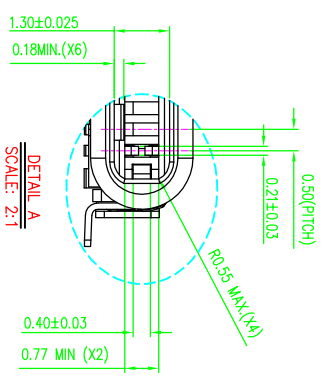
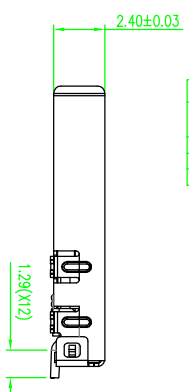
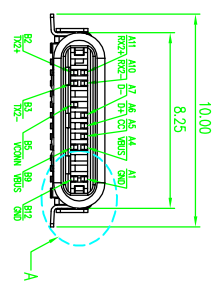
ROHS 客户图

目錄 MAPX A0	變更內容 MODIFICATION NEW	日期 DATE 09-10-20
------------------	-----------------------------	------------------------



RECOMMENDED P.C.B LAYOUT
(T=1.4±0.15)

- NOTES:
1. MATERIALS:
SHELL: STAINLESS STEEL T=0.15±0.01mm
SPRING: STAINLESS STEEL T=0.10±0.01mm
LATCH: STAINLESS STEEL T=0.40±0.01mm
HOUSING: THERMOPLASTIC
MOLDING1: HIGH-THERMOPLASTIC+ BRONZE, T=0.20±0.01mm
MOLDING2: HIGH-THERMOPLASTIC+ BRONZE, T=0.20±0.01mm
 2. PLATING:
CONTACT: CONTACT AREA Au PLATED 30u"Min. OR REFER TO THE PART NO. CODE DEFINED. UNDER PLATE 80u"Min. NICKEL OVERALL.
120u" Min. TIN PLATING ON SOLDER TAIL
SHELL: 30u"Min. NICKEL PLATING OVERALL
 3. ELECTRICAL PERFORMANCE:
INSULATION RESISTANCE: 100Mohm MIN.
CONTACT RESISTANCE: 40mohm MAX.
DIELECTRIC WITHSTANDING: 100 VAC
CURRENT RATING: 3A MIN.
4. MECHANICAL PERFORMANCE:
MATING FORCE: 5~20N
UNMATING FORCE: 8~20N
DURABILITY: 10000 CYCLES



产品图

PRODUCT CHART DWG

深圳市鑫风雷电子有限公司

公差一览表		单位	制图	产品料号
TOLERANCE UNLESS OTHERWISE		UNITS	DRAWING	PRODUCT PART NO.
X	±0.30	X"	王冠	11009-UCAM001-X
X	±0.25	X"	雷永健	
.XX	±0.30	.XX"	雷永健	
.XXX	±0.15	.XXX"	雷永健	

比例	日期	核准	角法	版本
SCALE	DATE	Appd	VIEW	VER
1:1	2009/10/20	雷永健		A0

THIS DRAWING CONTAINS INFORMATION THAT IS PROPRIETARY TO XINFENGLI ELECTRONIC CO.,LTD AND SHOULD NOT BE USED WITHOUT WRITTEN PERMISSION