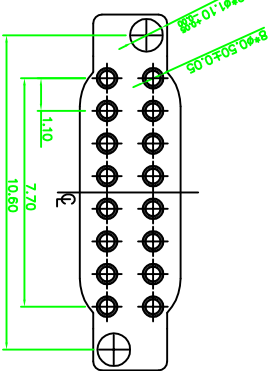
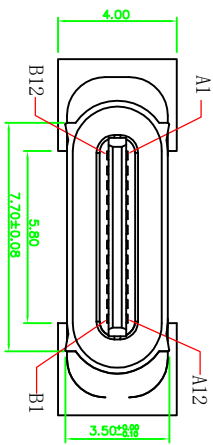


ROHS 客户图



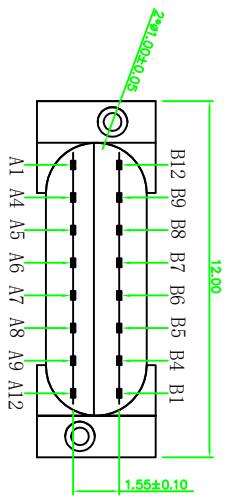
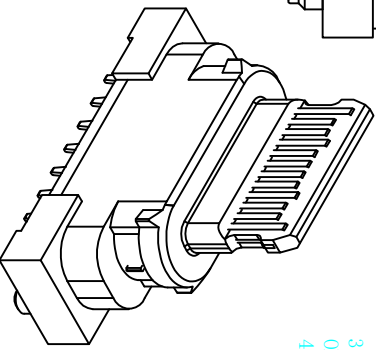
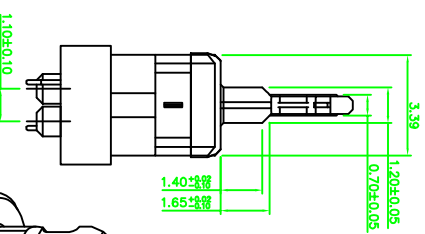
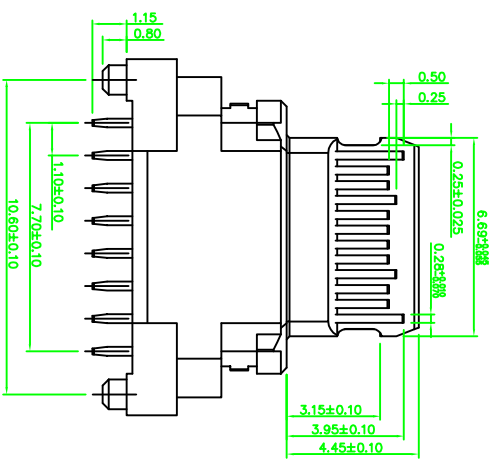
RECOMMENDED PCB LAYOUT
TOLERANCE UNSPECIFIED ±0.05mm

A1	GND	B12	GND
A4	VBUS	B9	VBUS
A5	CC1	B8	SBU2
A6	DP1	B7	DN2
A7	DN1	B6	DP2
A8	SBU1	B5	CC2
A9	VBUS	B4	VBUS
A12	GND	B1	GND
PIN	SIGNAL NAME	PIN	SIGNAL NAME

NOTES:
1. MECHANICAL: MATING FORCE: 5-20N .
UNMATING FORCE: 8-20N .
DURABILITY: 10000 CYCLES MIN.

2. ELECTRICAL:
CURRENT: 5.0A MAX
VOLTAGE: 20V MAX
WITHSTANDING VOLTAGE: 100V AC
CONTACT RESISTANCE: 40 mΩ MAX INITIAL,
50 mΩ MAX AFTER 10000 CYCLES

3. ENVIRONMENTAL:
OPERATING TEMPERATURE RANGE: -30° C ~ +80° C
4. Salt Spray: 24H



产品图

深圳市鑫风雷电子有限公司

公差一览表 TOLERANCE UNLESS OTHERWISE SPECIFIED		单位 UNITS	MM	制图 DRAWING	王冠	产品料号 PRODUCT PART NO.	01017-UCAP001-X
X	±0.30	X	±5°	比例 SCALE	1:1	产品名称 PRODUCT NAME	TYPE C 16P 180度纯塑
.XX	±0.30	.XX	±2°	日期 DATE	2009/10/20	核准 APPROV	雷永健
.XXX	±0.15	.XXX	±1°	角法 VIEW		版本 VER	A0

THIS DRAWING CONTAINS INFORMATION THAT IS PROPRIETARY TO XINFENGLI ELECTRONIC CO.,LTD AND SHOULD NOT BE USED WITHOUT WRITTEN PERMISSION