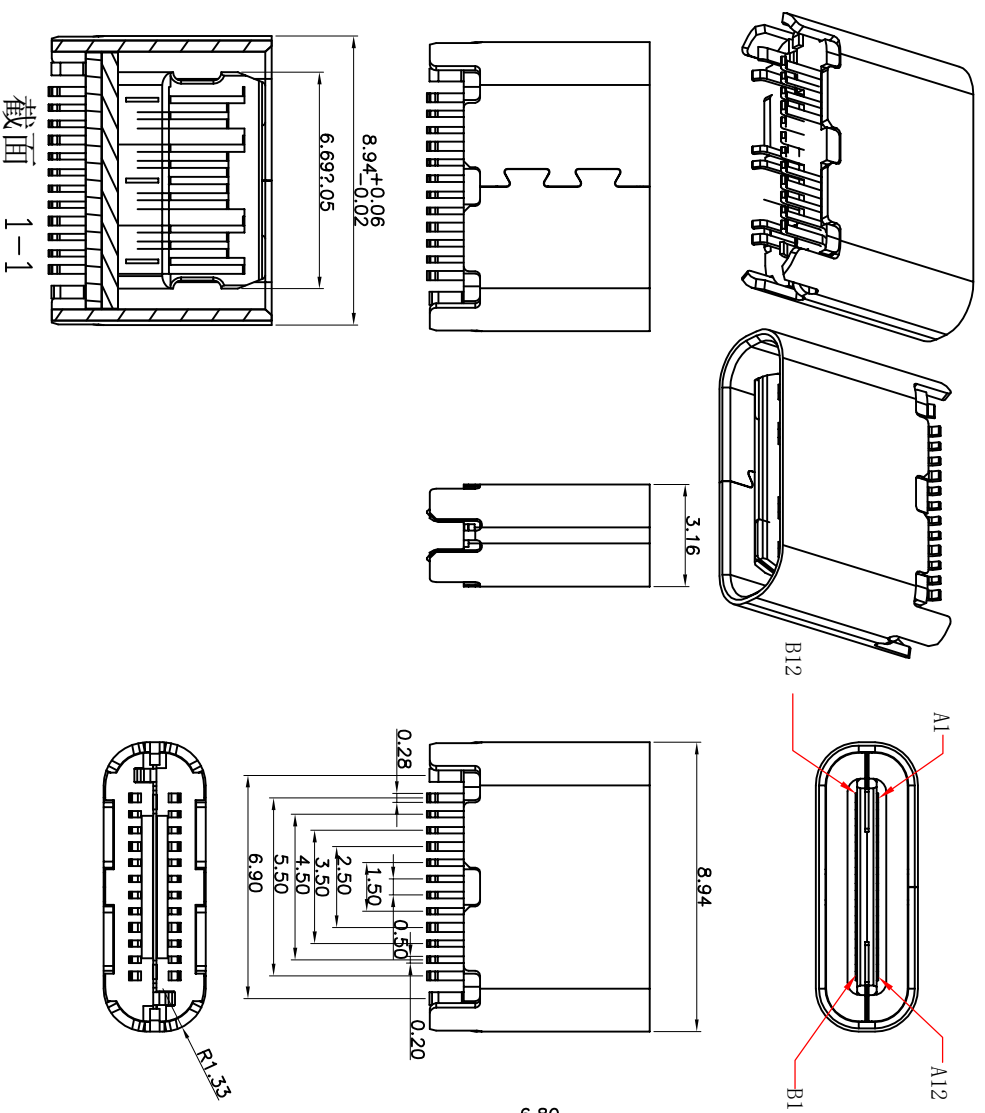


RoHS

客户图

目錄 MAPX A0	變更內容 MODIFICATION NEW	日期 DATE 09-10-20
------------------	-----------------------------	------------------------



截面 A-A

NOTES:

- 1.MATERIAL:  
MOLDING: LCP UL94 V-0  
CONTACT: COPPER ALLOY,  
GOLD PLATED Min ON CONTACT AREA 100u"  
Min TIN (LEAD FREE) ON SOLDER AREA,  
SHELL: SUS304-H1T=0.30±0.03mm  
50u" NICKEL PLATING OVER ALL.  
SHLD:SUS304-H1T=0.12±0.03mm
- 2.MECHANICAL:  
INSERTION: 5~20N,  
EXTRACTION: 8~20N AFTER TEST.  
DURABILITY: 10000 CYCLES
- 3.ELECTRICAL:  
CURRENT: 5A FOR VBUS;  
1.25A FOR GND PIN,  
0.25A FOR OTHER.  
VOLTAGE: 20 V MAX  
WITHSTANDING VOLTAGE: 100V AC R.M.S.  
CONTACT RESISTANCE: 40mΩ MAX.  
INSULATION RESISTANCE: 100MΩ MIN.  
4.ENVIRONMENTAL  
TEMPERATURE RANGE -25°C ~ +85°C

# 深圳市鑫风雷电子有限公司

产品图  
PRODUCT CHART DWG

公差一览表  
TOLERANCE UNLESS OTHERWISE

公差	单位	比例
X ±0.30	MM	1:1
X ±0.25	MM	1:1
XX ±0.30	MM	1:1
XXX ±0.15	MM	1:1

单位 UNITS	MM
比例 SCALE	1:1
日期 DATE	2009/10/20
制图 DRAWING	王冠
审核 CHKD	雷永健
核准 APPD	雷永健
产品料号 PRODUCT PART NO.	00302-UCAR001-X
产品名称 PRODUCT NO.	TYPE C母座夹板24P 短体L=5.7MM
角法 VIEW	⊕
版本 VER	A0

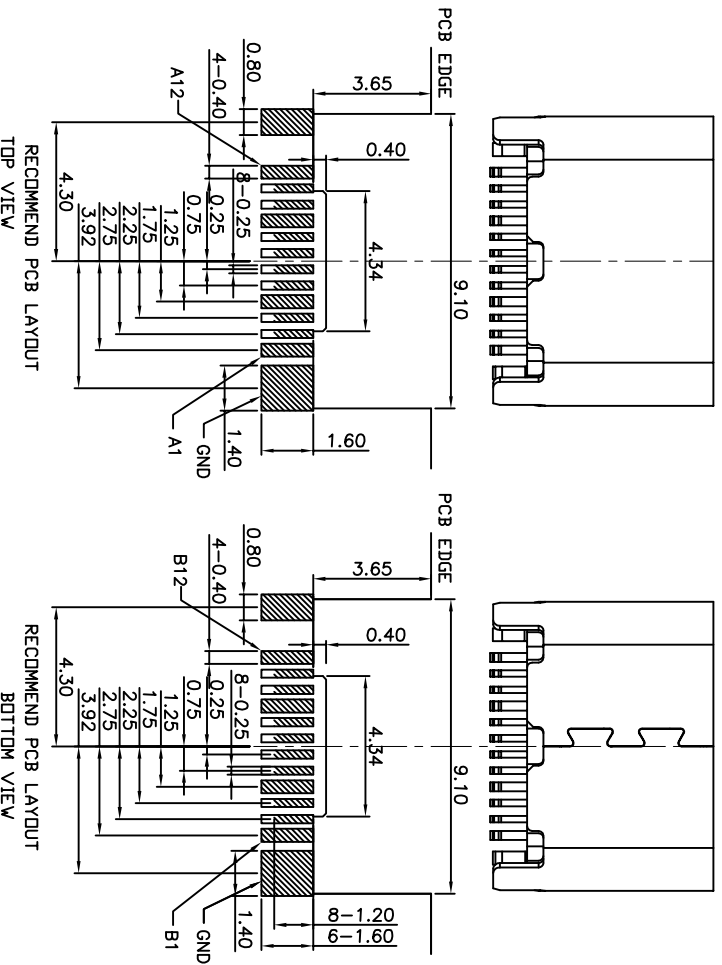
# ROHS

# 客户图

目錄 MAPX	變更內容 MODIFICATION	日期 DATE
A0	NEW	09-10-20

USB TYPE-C FULL-FEATURED RECEPTACLE INTERFACE PIN ASSIGNMENTS

PIN	Signal Name	Description	PIN	Signal Name	Description
A1	GND	Ground return	B12	GND	Ground return
A2	SSTXp1	Positive half of first SuperSpeed TX differential pair	B11	SSRXp1	Positive half of first SuperSpeed RX differential pair
A3	SSTXn1	Negative half of first SuperSpeed TX differential pair	B10	SSRXn1	Negative half of first SuperSpeed RX differential pair
A4	Vbus	Bus Power	B9	Vbus	Bus Power
A5	CC1	Configuration Channel	B8	SRU2	Sideband Use (SRU)
A6	Dp1	Positive half of the USB 2.0 differential pair-Position 1	B7	Dn2	Negative half of the USB 2.0 differential pair-Position 2
A7	Dn1	Negative half of the USB 2.0 differential pair-Position 1	B6	Dp2	Positive half of the USB 2.0 differential pair-Position 2
A8	SRU1	Sideband Use (SRU)	B5	CC2	Configuration Channel
A9	Vbus	Bus Power	B4	Vbus	Bus Power
A10	SSRXn2	Negative half of second SuperSpeed RX differential pair	B3	SSTXn2	Negative half of second SuperSpeed TX differential pair
A11	SSRXp2	Positive half of second SuperSpeed RX differential pair	B2	SSTXp2	Positive half of second SuperSpeed TX differential pair
A12	GND	Ground return	B1	GND	Ground return



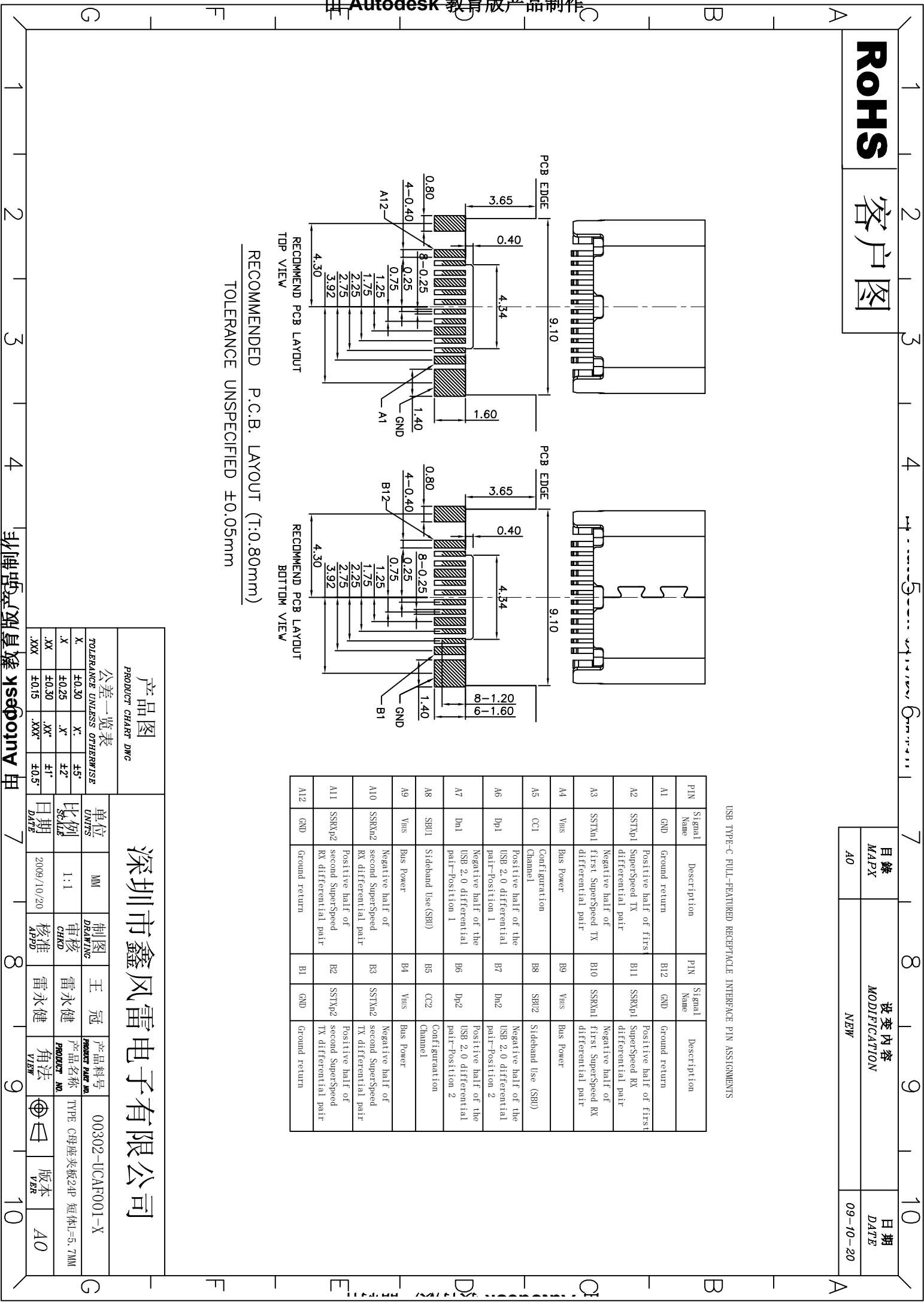
RECOMMENDED P.C.B. LAYOUT (T:0.80mm)  
TOLERANCE UNSPECIFIED ±0.05mm

## 产品图

### PRODUCT CHART DWG

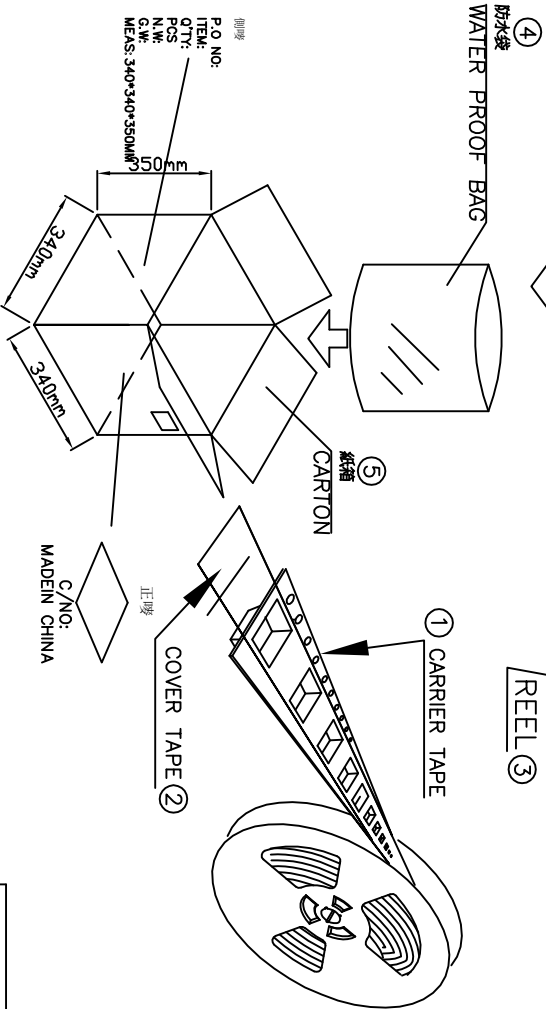
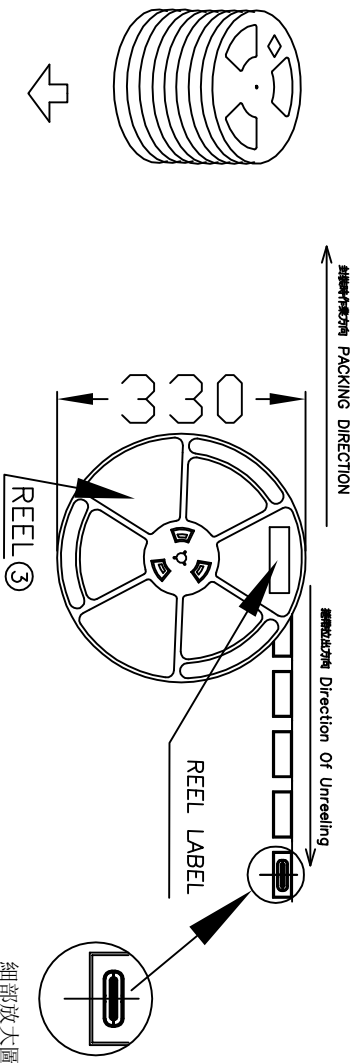
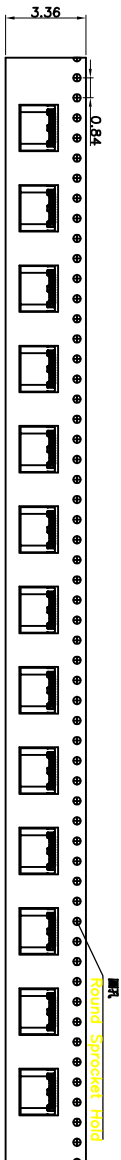
# 深圳市鑫风雷电子有限公司

公差一览表 TOLERANCE UNLESS OTHERWISE		单位 UNITS	MM	制图 DRAWING	王冠	产品料号 PRODUCT PART NO.	00302-UCAR001-X
X	±0.30	X'	±5'	审核 CHECK	雷永健	产品名称 PRODUCT NO.	TYPE C母座夹板24P 短体L=5.7MM
.XX	±0.25	.XX'	±2'	核准 APPD	雷永健	角法 VIEW	
.XXX	±0.15	.XXX'	±0.5'	日期 DATE		版本 VER	A0



# ROHS 客户图

目錄 MAPX	變更內容 MODIFICATION	日期 DATE
A0	NEW	09-10-20



1. CARRY TAPE前部分与尾部分各留出150~300mm长度不装产品
2. 每穴放置1PCS产品，放置方式如图所示
3. 包装机包好后再缠上一圈电周波，在REEL的四
4. 包装数量：1200PCS/REEL，15REEL/CARTON，共18000PCS/CARTON
5. 然后把装好产品的REEL 放进纸箱中.
6. 包装方式：自粘式

## 产品图

PRODUCT CHART DWG

### 公差一览表

TOLERANCE UNLESS OTHERWISE	UNIT	MM	制图 DRAWING	王冠 CORONA	产品料号 PRODUCT PART NO.	00302-UCAF001-X
X	±0.30	X'	±5'	雷永健 LEI YONGJIAN	产品名称 PRODUCT NO.	TYPE C封装夹板2HP 规格U-5-7MM
X	±0.25	X'	±2'	审核 CHECK	角法 VIEW	
.XX	±0.30	.XX'	±1'	核准 APPD	雷永健 LEI YONGJIAN	版本 VER
.XXX	±0.15	.XXX'	±0.5'	日期 DATE	2009/10/20	A0

## 深圳市鑫风雷电子有限公司