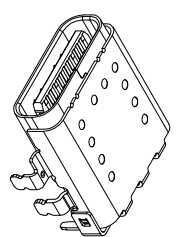
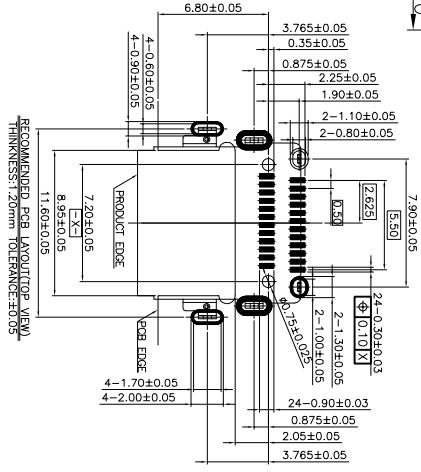
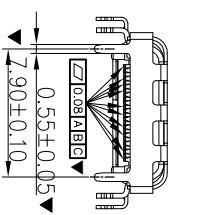
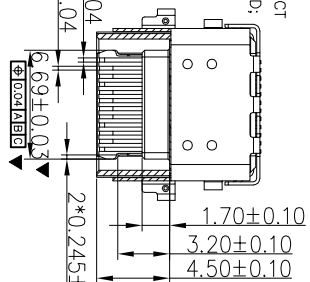
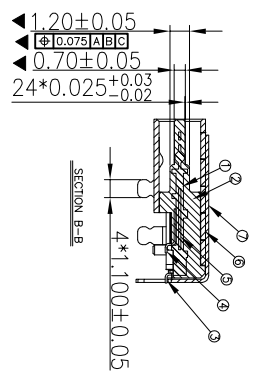
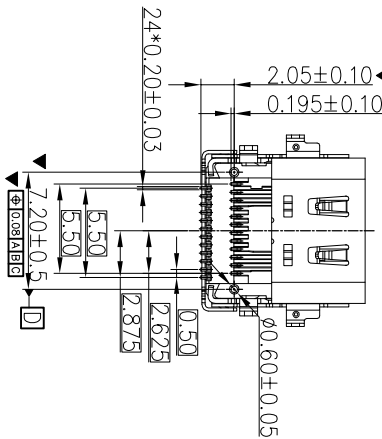
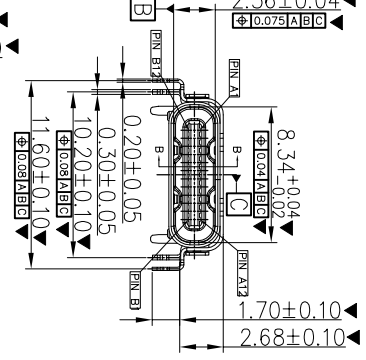
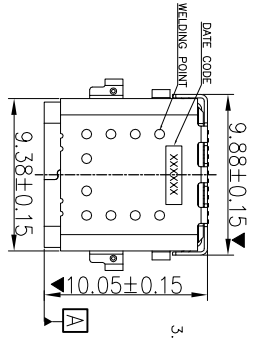


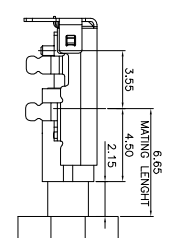
ROHS 客户图

NOTES:

- 1-ELECTRICAL CHARACTERISTICS:
- 1-1.CURRENT RATING:BUS AND GND CONTACTS RATED AT 3A,
- 1-2.INITIAL CONTACT RESISTANCE:40mΩ Max.;
- 1-3.INSULATION RESISTANCE:100MΩ Min.;
- 1-4.DIELECTRIC WITHSTANDING VOLTAGE:100V AC ONE MINUTE.
- 2-MECHANICAL CHARACTERISTICS:
- 2-1.MATING FORCE:5~20N;
- 2-2.UNMATING FORCE:8~20N(INITIAL),6~20N(AFTER 10000CYCLES);
- 2-3.FREQUENCY:200±50 CYCLES/HOUR,10000 CYCLES;
- SUCH AS SCRAPING,DISTORTION,TURNING UP COULDN'T BE ALLOWED;
- 4.HARFUL MATERIAL AND PROCESS CONTROL,
- PLEASE FOLLOW DOC. NO."QW-0-043"&RHS2.0&HF
- 5.NOT ALLOWED TO ADD MATERIAL.



3D VIEW



Pin Assignments:

Pin Name	Signal	Description	Mating Sequence	Pin Name	Signal	Description	Mating Sequence
A1	GND	Ground return	First	B12	GND	Ground return	First
A2	SSTXP1	Positive half of first SuperSpeed TX differential pair	Second	B11	SSRXp1	Negative half of first SuperSpeed RX differential pair	Second
A3	SSTXn1	Negative half of first SuperSpeed TX differential pair	Second	B10	SSRXn1	Positive half of first SuperSpeed RX differential pair	Second
A4	VBUS	Bus Power	First	B9	VBUS	Bus Power	First
A5	CC1	Configuration Channel 1	Second	B8	SBU2	Sideband Use	Second
A6	Dp1	Positive half of the USB2.0 differential pair-Position 1	Second	B7	Dn2	Negative half of the USB2.0 differential pair-Position 2	Second
A7	Dn1	Negative half of the USB2.0 differential pair-Position 1	Second	B6	Dp2	Positive half of the USB2.0 differential pair-Position 2	Second
A8	SBU1	Sideband Use	Second	B5	CC2	Configuration Channel 2	Second
A9	VBUS	Bus Power	First	B4	VBUS	Bus Power	First
A10	SSRXp2	Negative half of second SuperSpeed RX differential pair	Second	B3	SSTXp2	Positive half of second SuperSpeed TX differential pair	Second
A11	SSRXn2	Positive half of second SuperSpeed RX differential pair	Second	B2	SSTXn2	Negative half of second SuperSpeed TX differential pair	Second
A12	GND	Ground return	First	B1	GND	Ground return	First

NO	PART NAME	QTY	MATERIAL	FINISH
7	外壳	1PCS	SUS304-1/2H T=0.20MM	整体镀镍80u Min.
6	内壳	1PCS	SUS304-1/2H T=0.30MM	整体镀镍80u Min.
5	隔离片	1PCS	SUS304-1/2H T=0.15MM	整体镀镍80u Min.
4	下端子	1SET	C7025 T=0.12MM	整体镀镍80u Min. 镀镍区镀金30u Au MIN. 焊接区镀金1u Au MIN.
3	上端子	1SET	C7025 T=0.12MM	整体镀镍80u Min. 镀镍区镀金30u Au MIN. 焊接区镀金1u Au MIN.
2	1 MOLDING	1PCS	PA9T GP2450	HF UL94V-0 BLACK
1	1 MOLDING	1PCS	PA9T GP2450	HF UL94V-0 BLACK

产品图

深圳市鑫风雷电子有限公司

公差一览表	单位	MM	制图	王冠	产品料号	00303-UCAR002-X
TOLERANCE UNLESS OTHERWISE	UNITS	MM	DRAWING	王冠	产品名称	TYPE C 24P母座双排SMT间距0.68 CH=0.9 L=10.0
.XX	±0.30	X'	比例	1:1	审核	雷永健
.XX	±0.30	X'	日期	2009/10/20	核准	雷永健
.XXX	±0.15	XXX'	角法	第一角法	版本	A0