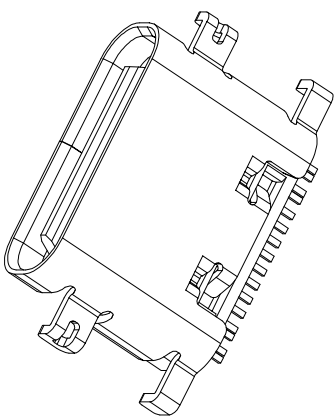
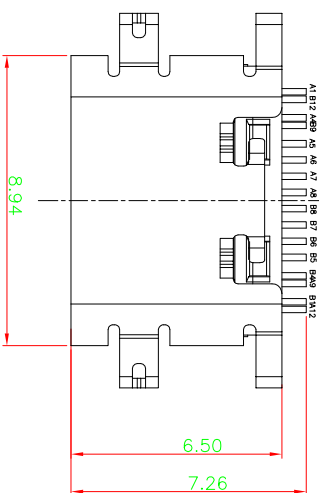
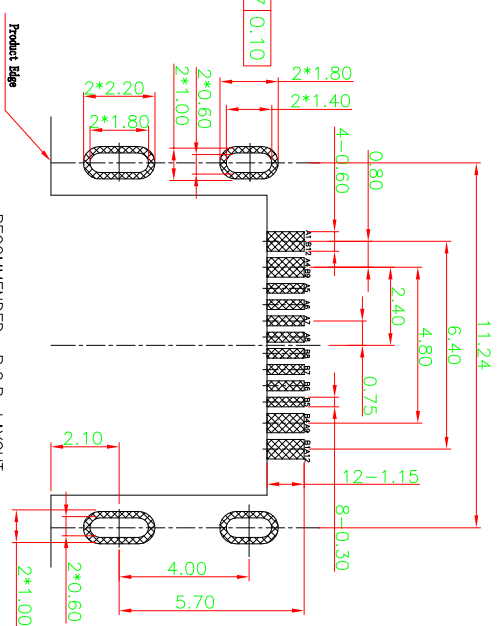
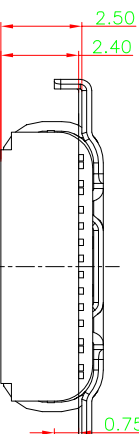
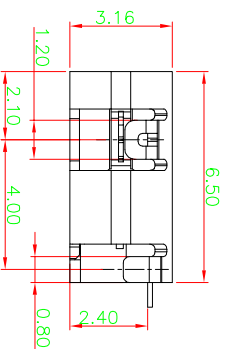
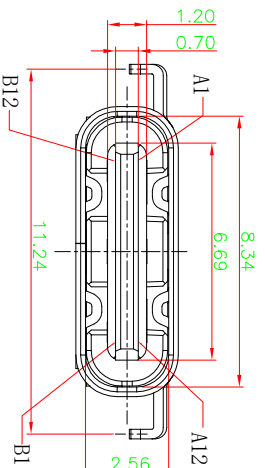


ROHS 客户图

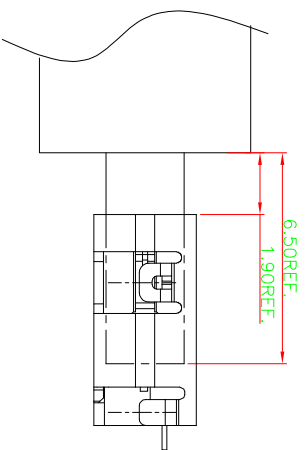
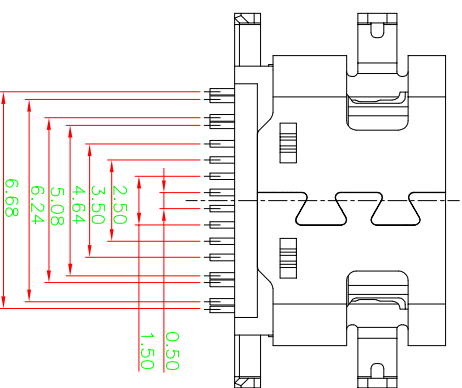


A1	GND	B12	GND
A4	VBUS	B9	VBUS
A5	CC1	B8	SBU2
A6	DP1	B7	DN2
A7	DN1	B6	DP2
A8	SBU1	B5	CC2
A9	VBUS	B4	VBUS
A12	GND	B1	GND
PIN	SIGNAL NAME	PIN	SIGNAL NAME

- NOTES:
SPECIFICATION:
- CURRENT RATING: 5.0A MAX
 - VOLTAGE: 100 VAC
 - TEMPERATURE RANGE: -30 °C ~ 85 °C
 - CONTACT RESISTANCE: 40 MILLIONHM MAX
 - INSULATION RESISTANCE: 100 MEGOHMS MIN.
 - INSERTION FORCE : 5N~20N
 - UNMATING FORCE: 8N~20N
 - DURABILITY: 10,000 CYCLES



RECOMMENDED P.C.B. LAYOUT
TOLERANCE UNSPECIFIED ±0.05mm



公母对插示意图

6	SHELL	STAINLESS STEEL	NI Plated	1PCS
5	SHIELDING PLATE	STAINLESS STEEL	---	1PCS
4	MD	HIGH TEMPERATURE PLASTIC	BLACK	1PCS
3	CONTACT	COPPER ALLOY	Au/Ni Plated	1SET
2	CONTACT	COPPER ALLOY	Au/Ni Plated	1SET
1	HOUSING	HIGH TEMPERATURE PLASTIC	BLACK	1PCS
NO.	DESCRIPTION	MATERIAL	REMARKS	QTY

深圳市鑫风雷电子有限公司

公差一览表		单位		制图		王冠		产品料号	
TOLERANCE UNLESS OTHERWISE		UNITS		DRAWING		DRAFTER		PRODUCT PART NO.	
X	±0.30	X	±5°	X	1:1	X	王冠	X	12011-UCAP004-X
X	±0.25	X	±2°	X	SCALE	X	雷永健	X	PRODUCT TYPE C 16P母座连接器2.4L=6.5
XX	±0.30	XX	±1°	XX	DATE	XX	雷永健	XX	16P母座连接器2.4L=6.5
XXX	±0.15	XXX	±0.5°	XXX	DATE	XXX	雷永健	XXX	VIEW