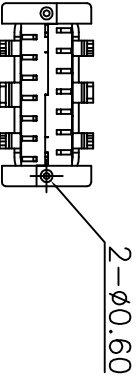
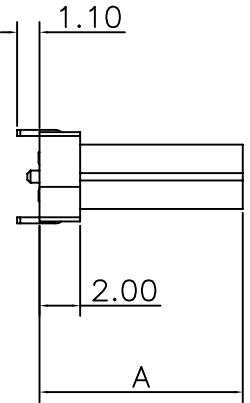
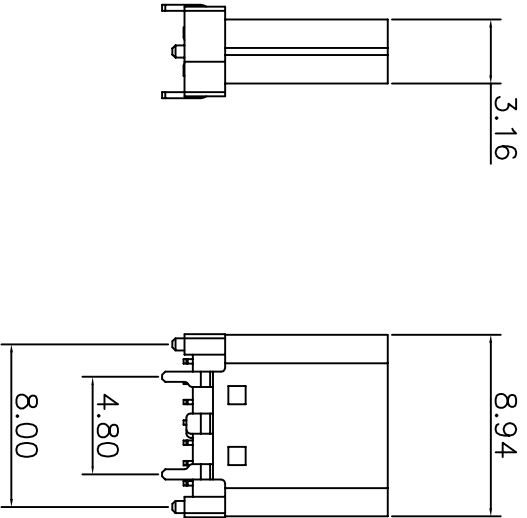
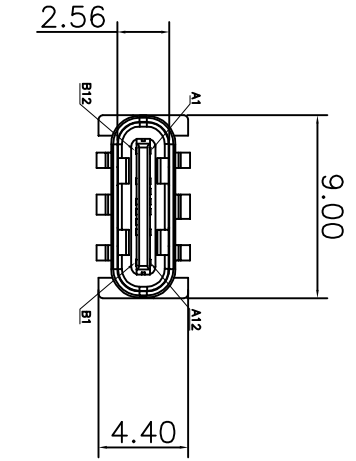


# RoHS 客户图

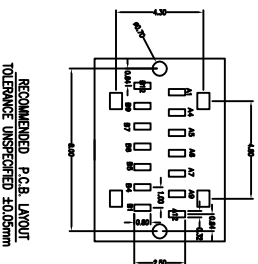
目錄 MAPX	变更内容 MODIFICATION	日期 DATE
A0	NEW	09-10-20



NOTES:  
SPECIFICATION:

- CURRENT RATING: 5.0A MAX
- VOLTAGE: 100 VAC
- TEMPERATURE RANGE: -30 °C ~ 85 °C
- CONTACT RESISTANCE: 40 MILLIONHM MAX
- INSULATION RESISTANCE: 100 MEGOHMS MIN.
- INSERTION FORCE: 5N~20N
- UNMATING FORCE: 8N~20N
- DURABILITY: 10,000 CYCLES

DIM	A	01	02	03	04
		8.8	9.3	10.0	10.5



RECOMMENDED PCB LAYOUT  
TOLERANCE: UNSPECIFIED ±0.05mm

PIN	Signal Name	PIN	Signal Name
A1	GND	B12	GND
A2	/	B11	/
A3	/	B10	/
A4	VBUS	B9	VBUS
A5	CC1	B8	SUB2
A6	Dp1	B7	Dp2
A7	Dn1	B6	Dp2
A8	SUBT	B5	CC2
A9	VBUS	B4	VBUS
A10	/	B3	/
A11	/	B2	/
A12	GND	B1	GND

NO.	DESCRIPTION	MATERIAL	REMARKS	QTY
5	MID-PLATE	HIGH TEMPERATURE PLASTIC		1PCS
4	SHELL	STAINLESS STEEL	NI Plated	1PCS
3	CONTACT	COPPER ALLOY/7025	Au1u"/NI Plated	1SET
2	CONTACT	COPPER ALLOY/7025	Au1u"/NI Plated	1SET
1	HOUSING	HIGH TEMPERATURE PLASTIC	BLACK	1PCS

## 产品图

PRODUCT CHART DWG

### 公差一览表

TOLERANCE UNLESS OTHERWISE

UNIT	X	X'	X''	X'''
±0.30	X	X'	X''	X'''
±0.25	X	X'	X''	X'''
±0.30	.XX	.XX'	.XX''	.XX'''
±0.15	.XXX	.XXX'	.XXX''	.XXX'''

深圳市鑫风雷电子有限公司  
Shenzhen xinfenglei Electronic Co., Ltd

单位 UNITS	MM	制图 DRAWING	王冠	产品料号 PRODUCT PART NO.	19003-UCAF004-X
比例 SCALE	1:1	审核 CHECK	雷永健	产品名称 PRODUCT NO.	TYPE C 14P母座180度SMT
日期 DATE	2009/10/20	批准 APPRO	雷永健	角法 VIEW	版本 VER
					A0