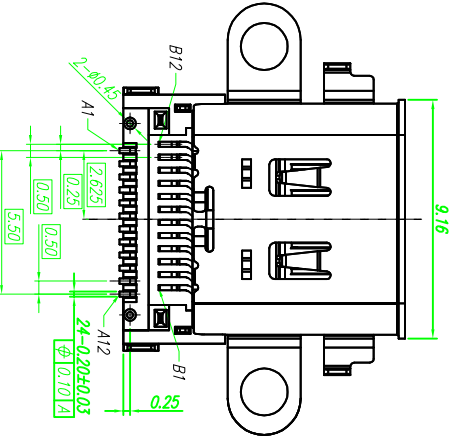
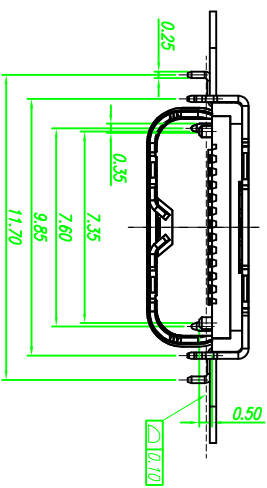
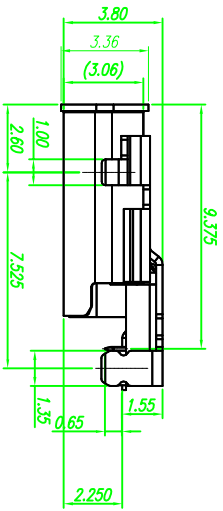
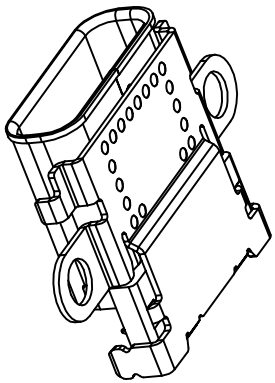
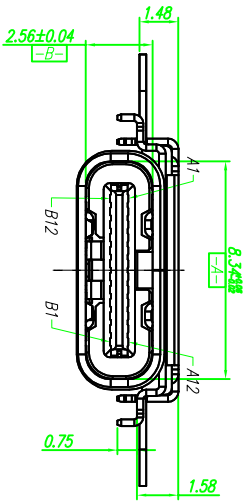
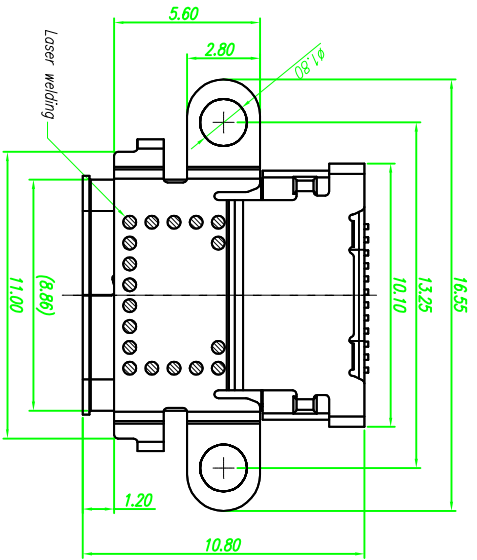


# ROHS 客户图



目錄 MAPX	變更內容 MODIFICATION	日期 DATE
A0	NEW	09-10-20

SPECIFICATION:

1. ELECTRICAL CHARACTERISTICS:

- 1.1 CURRENT RATING: 5A
- 1.2 TEMPERATURE RANGE: -40 °C ~ 85 °C
- 1.3 CONTACT RESISTANCE: 30 MILLIONHM MAX.
- 1.4 DIELECTRIC WITHSTANDING VOLTAGE: 100 VAC r.m.s
- 1.5 INSULATION RESISTANCE: 100 MEGOHMS MIN.

2. MECHANICAL CHARACTERISTICS

- 2.1 INSERTION FORCE: 5~20N
- 2.2 EXTRACTION FORCE: Initial:8~20N, ATER TEST 6~20N
- 2.3 DURABILITY: 10,000CYCLES

3. THE SHELL LENGTH IS LESS THAN THE MINIMUM SPECIFIED BY THE USB TYPE C STANDARD, AS SUCH IS CANNOT INDEPENDENTLY BE GUARANTEED TO MEET ALL TYPE C MECHANICAL REQUIREMENTS.

## 产品图

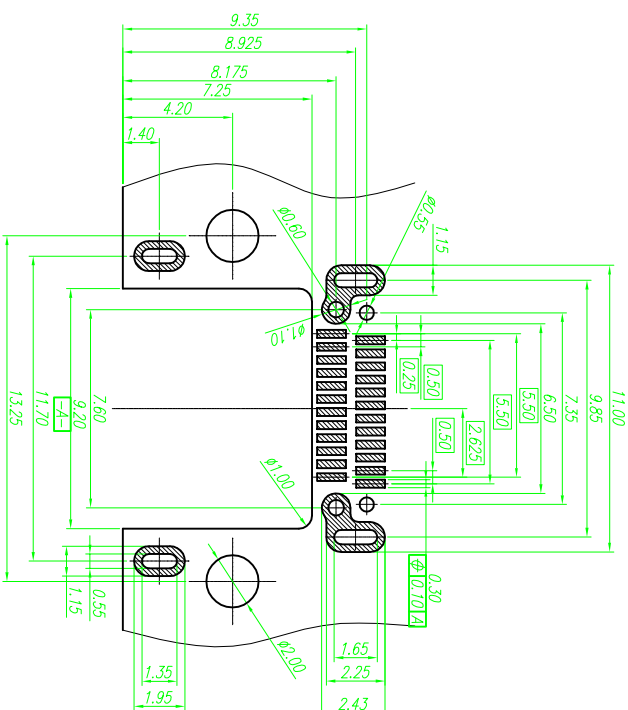
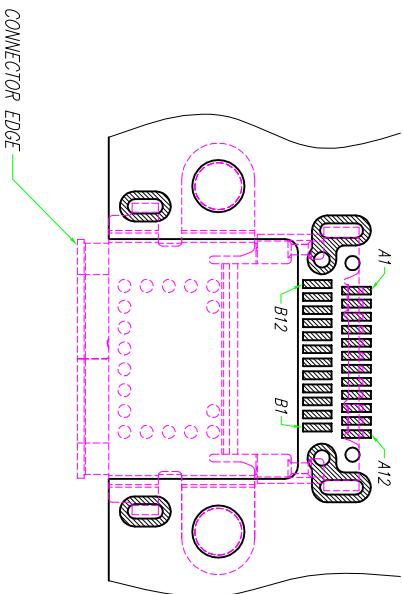
深圳市鑫风雷电子有限公司  
Shenzhen xinfenglei Electronic Co., Ltd

公差一览表 TOLERANCE UNLESS OTHERWISE		单位 UNITS	制图 DRAWING	产品料号 PRODUCT PART NO.
X	±0.30	X'	王冠	19009-UCAF014-X
X	±0.25	X'	审核 雷永健	
XX	±0.30	XX'	核准 雷永健	
XXX	±0.15	XXX'		
比例 SCALE		日期 DATE	角法 ANGLE	版本 VERSION
1:1		2009/10/20		A0

# RoHS

# 客户图

目錄 MAPX	变更内容 MODIFICATION	日期 DATE
A0	NEW	09-10-20



### PIN ASSIGNMENT

Pin	Signal Name	Pin	Signal Name	Pin	Signal Name	Pin	Signal Name
A1	GND	B12	GND	A7	Dn1	B6	Dp2
A2	SSTXp1	B11	SSRXp1	A8	SBU1	B5	CC2
A3	SSTXn1	B10	SSRXn1	A9	VBUS	B4	VBUS
A4	VBUS	B9	VBUS	A10	SSRXn2	B3	SSTXn2
A5	CC1	B8	SBU2	A11	SSRXp2	B2	SSTXp2
A6	Dp1	B7	Dn2	A12	GND	B1	GND

### P.C.B LAYOUT VIEW

TOLERANCE ±0.05

NO.	DESCRIPTION	QTY.	MATERIAL	FINISHED
4	MID_PLATE	1 PCS	STAINLESS STEEL	Ni Plated
3	CONTACT	1 SET	COPPER ALLOY	Au & Ni Plated
2	MOLDING HOUSING	1 PCS	PLASTIC	None
1	SHELL	1 PCS	STAINLESS STEEL	Ni Plated

### 产品图

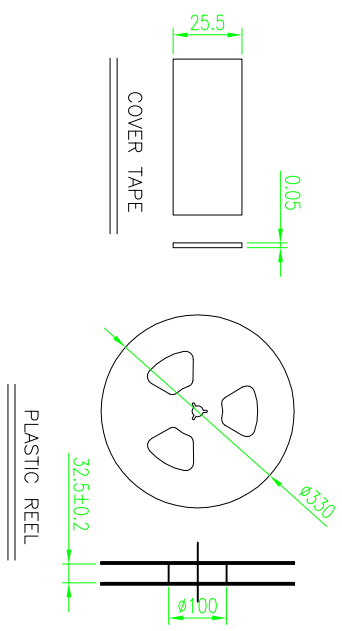
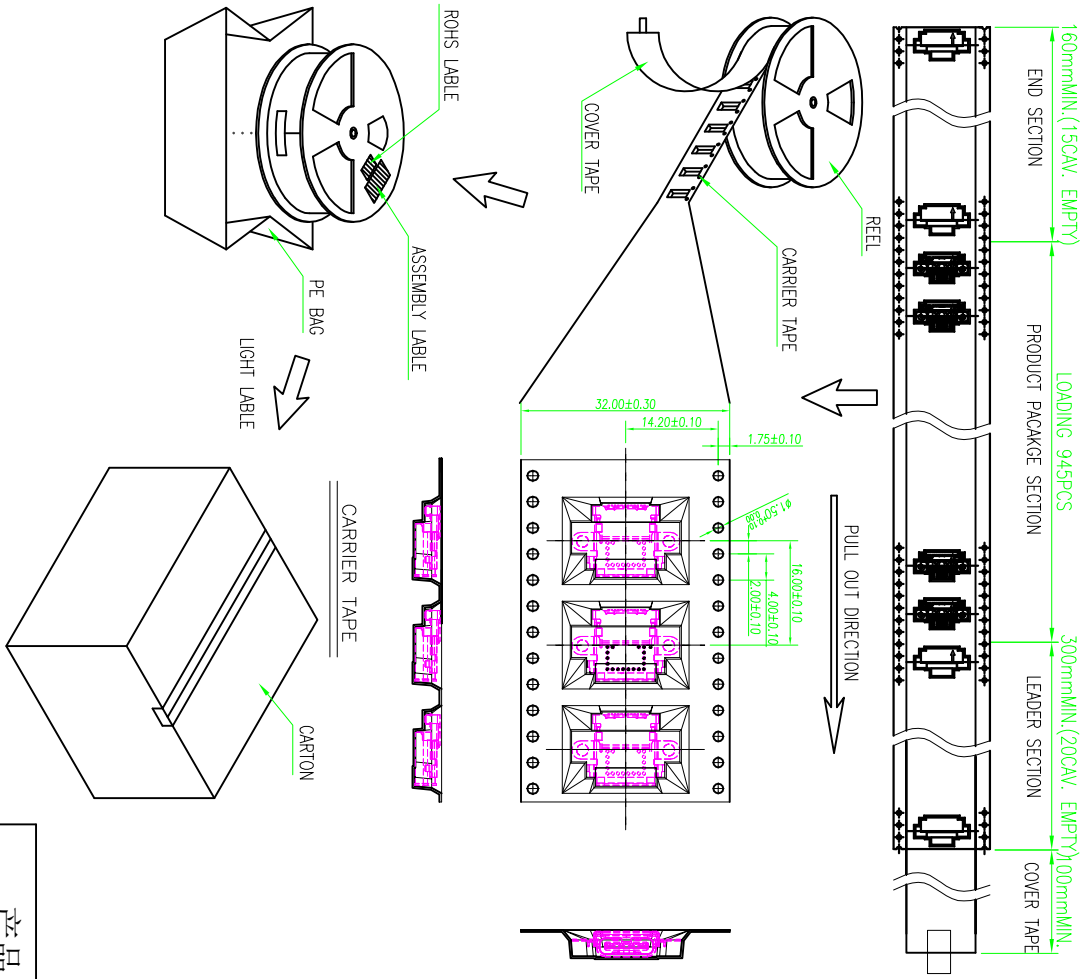
PRODUCT CHART DWG

深圳市鑫风雷电子有限公司  
Shenzhen xinfenglei Electronic Co., Ltd

公差一览表 TOLERANCE UNLESS OTHERWISE		单位 UNITS	比例 SCALE	日期 DATE	制图 DRAWING	审核 CHKD	核准 APPD	产品料号 PRODUCT PART NO.	产品名称 PRODUCT NO.	角法 VIEW	版本 VER
X	±0.30	X'	±5'		王冠	雷永健	雷永健	19009-UCAR014-X	TYPE C 24P母座沉板2.25 1=10.80母座沉孔	⊕	A0
X	±0.25	X'	±2'								
XX	±0.30	XX'	±1'								
XXX	±0.15	XXX'	±0.5'								

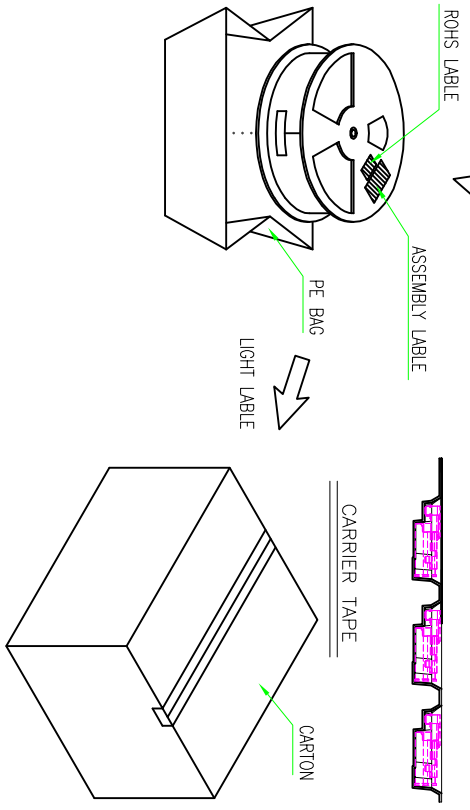
# RoHS 客户图

目錄 MAPX A0	變更內容 MODIFICATION NEW	日期 DATE 09-10-20
------------------	-----------------------------	------------------------



- NOTES 2:
- MATERIAL:
    - 1.1 REEL AND AXLE: PS,BLUE
    - 1.2 CARRIER TAPE: PET, LUCID
    - 1.3 COVER TAPE: PS,TRANSPARENT
    - 1.4 SHIPPING CARTON: CORRUGATED FIBER

- DIMENSION:
  - 2.1 REEL: W=32.5,  $\phi$ A=330
  - 2.2 CARRIER TAPE: T=0.50 W=32.0
  - 2.3 COVER TAPE: T=0.05 W=25.5
  - 2.4 SHIPPING CARTON: L=335mm, W=335mm, H=425mm
- QUANTITY :
  - 3.1 PRIMARY PACKING: 945PCS/REEL
  - 3.2 SECONDARY PACKING: 10 REELS/CARTON(9450PCS/CARTON)
- PEELING RESISTANCE: 0.1~1.3N
- PEELING SPEED: 3000mm/minutes
- PEELING ANGLE: 165° ~180°



## 产品图

Product Chart DWG  
Shenzhen xinfenglei Electronic Co., Ltd

公差一览表 TOLERANCE UNLESS OTHERWISE		单位 UNITS	制图 DRAWING	产品料号 PRODUCT PART NO.
X	±0.30	X	王冠	19009-UCAF014-X
X	±0.25	X	审核 CHKD	雷永健
XX	±0.30	XX	日期 DATE	2009/10/20
XXX	±0.15	XXX	核准 APPD	雷永健
			比例 SCALE	1:1
			角法 VIEW	
			版本 VER	A0