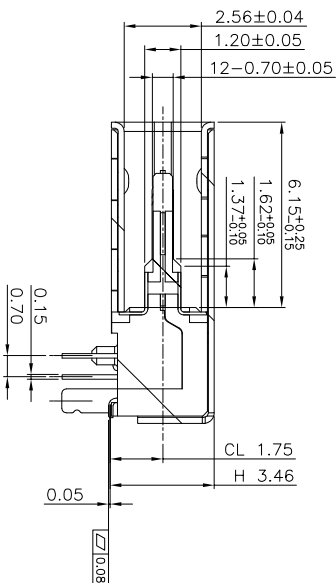
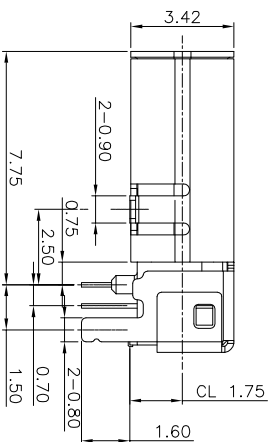
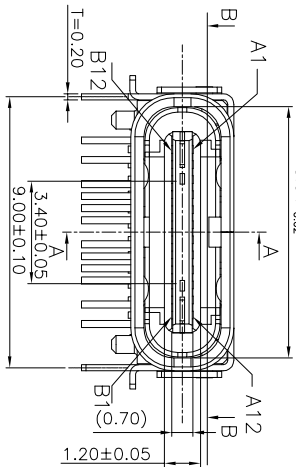
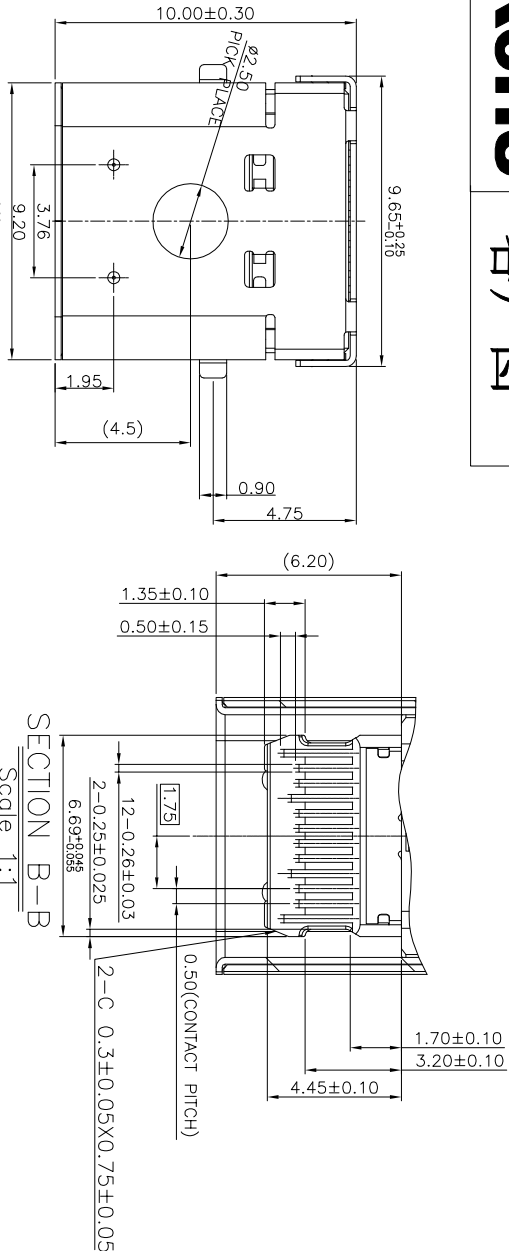
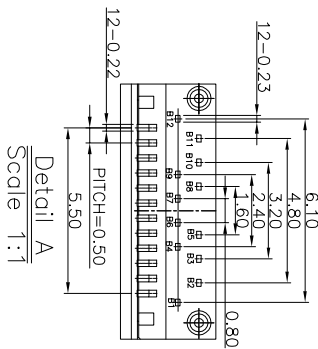
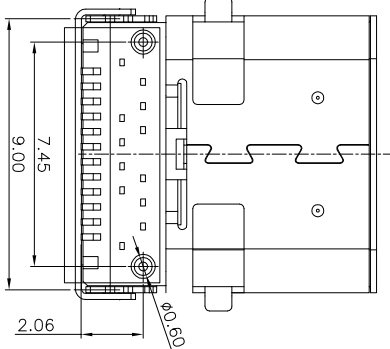


ROHS 客户图



Section A-A
Scale 1:1

1. MATERIAL:
MOLDING: LCP UL94 V-0
CONTACT: COPPER ALLOY.
GOLD PLATED ON CONTACT AREA, 100u"
Min TIN (LEAD FREE) ON SOLDER AREA,
SHELL: SUS304-H, T=0.30±0.03mm
50u" NICKEL PLATING OVER ALL.
SHLD: SUS304-H, T=0.12±0.03mm
2. MECHANICAL:
INSERTION: 5~20N.
EXTRACTION: 8~20N.
DURABILITY: 5000 CYCLES
3. ELECTRICAL:
CURRENT: 5A MAX FOR VBUS;
1.25A FOR GND, 0.25A FOR OTHER OTHER.
VOLTAGE: 20VDC MAX
WITHSTANDING VOLTAGE: 100V AC.
CONTACT RESISTANCE: 40mΩ MAX.
INSULATION RESISTANCE: 100MΩ MIN.
4. ENVIRONMENTAL
TEMPERATURE RANGE -55°C ~ +85°C



产品图

深圳市鑫风雷电子有限公司

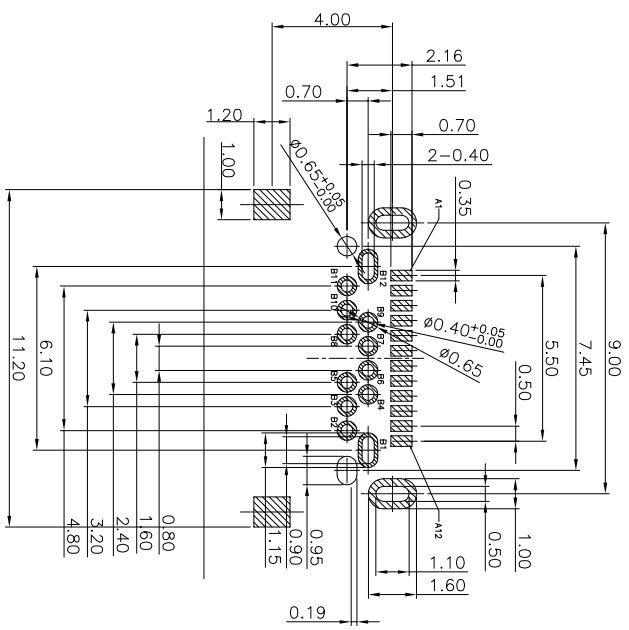
公差一览表		单位		比例		日期		制图		产品料号	
TOLERANCE UNLESS OTHERWISE		UNITS		SCALE		DATE		DRAWING		PRODUCT PART NO.	
X	±0.30	X	±5°	1:1		2009/10/20		王冠		23002-UCAF003-X	
X	±0.25	X	±2°					雷永健			
XX	±0.30	XX	±1°					雷永健			
XXX	±0.15	XXX	±0.5°					雷永健			

ROHS 客户图

目錄 MAPX	变更内容 MODIFICATION	日期 DATE
A0	NEW	09-10-20

USB TYPE-C FULL-FEATURED RECEPTACLE INTERFACE PIN ASSIGNMENTS

PIN	Signal Name	Description	PIN	Signal Name	Description
A1	GND	Ground return	B12	GND	Ground return
A2	SSTXp1	Positive half of first SuperSpeed TX differential pair	B11	SSRXp1	Positive half of first SuperSpeed RX differential pair
A3	SSTXn1	Negative half of first SuperSpeed TX differential pair	B10	SSRXn1	Negative half of first SuperSpeed RX differential pair
A4	Vbus	Bus Power	B9	Vbus	Bus Power
A5	CC1	Configuration Channel	B8	SBU1	Sideband Use (SBU)
A6	Dp1	Positive half of the USB 2.0 differential pair-Position 1	B7	Dn2	Negative half of the USB 2.0 differential pair-Position 2
A7	Dn1	Negative half of the USB 2.0 differential pair-Position 1	B6	Dp2	Positive half of the USB 2.0 differential pair-Position 2
A8	SBU1	Sideband Use (SBU)	B5	CC2	Configuraation Channel
A9	Vbus	Bus Power	B4	Vbus	Bus Power
A10	SSRXn2	Negative half of second SuperSpeed RX differential pair	B3	SSTXn2	Negative half of second SuperSpeed TX differential pair
A11	SSRXp2	Positive half of second SuperSpeed RX differential pair	B2	SSTXp2	Positive half of second SuperSpeed TX differential pair
A12	GND	Ground return	B1	GND	Ground return



RECOMMEND P.C.B LAYOUT(COMPONENT SIDE)
TOLERANCE FOR PCB LAYOUT IS ± 0.05

产品图

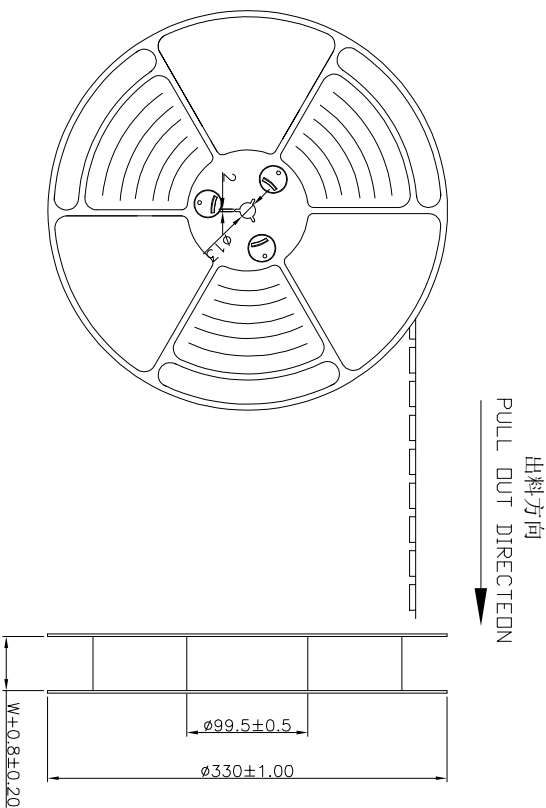
PRODUCT CHART DWG

深圳市鑫风雷电子有限公司

公差一览表 TOLERANCE UNLESS OTHERWISE SPECIFIED		单位 UNITS	MM	制图 DRAWING	王冠	产品料号 PRODUCT PART NO.	23002-UCAF003-X
X	±0.30	X'	±5'	比例 SCALE	1:1	审核 CHKD	雷永健
X	±0.25	X''	±2'	日期 DATE	2009/10/20	核准 APPD	雷永健
XX	±0.30	XX'	±1'	角法 VIEW		版本 VER	A0
XXX	±0.15	XXX'	±0.5'				

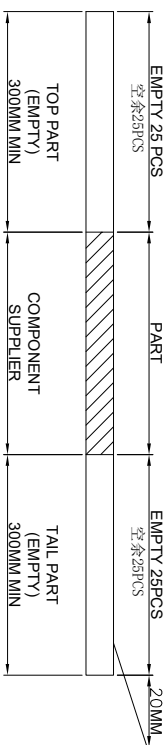
RoHS 客户图

目錄 MAPX	變更內容 MODIFICATION	日期 DATE
A0	NEW	09-10-20

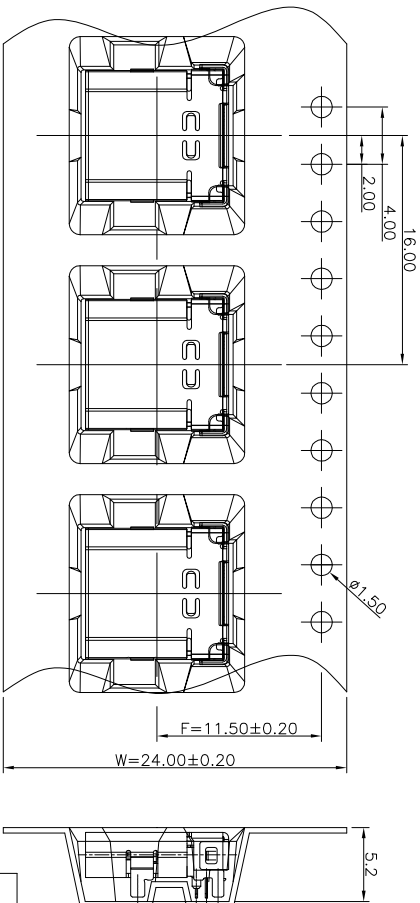


NOTES

- 帶子引導長度
LEAD TAPE LENGTH
出料方向
PULL OUT DIRECTION



- 出貨運輸過程中一定注意：
THIS REQUIREMENT SHOULD BE APPLIED AT SHIPMENT:
卷帶在運輸過程中不能散開
PEELING OFF SHOULD NOT BE ALLOWED DURING TRANSPORTATION



产品图

PRODUCT CHART DWG

深圳市鑫风雷电子有限公司

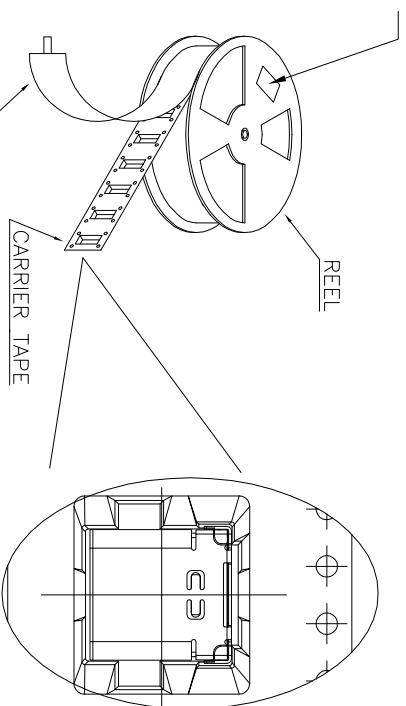
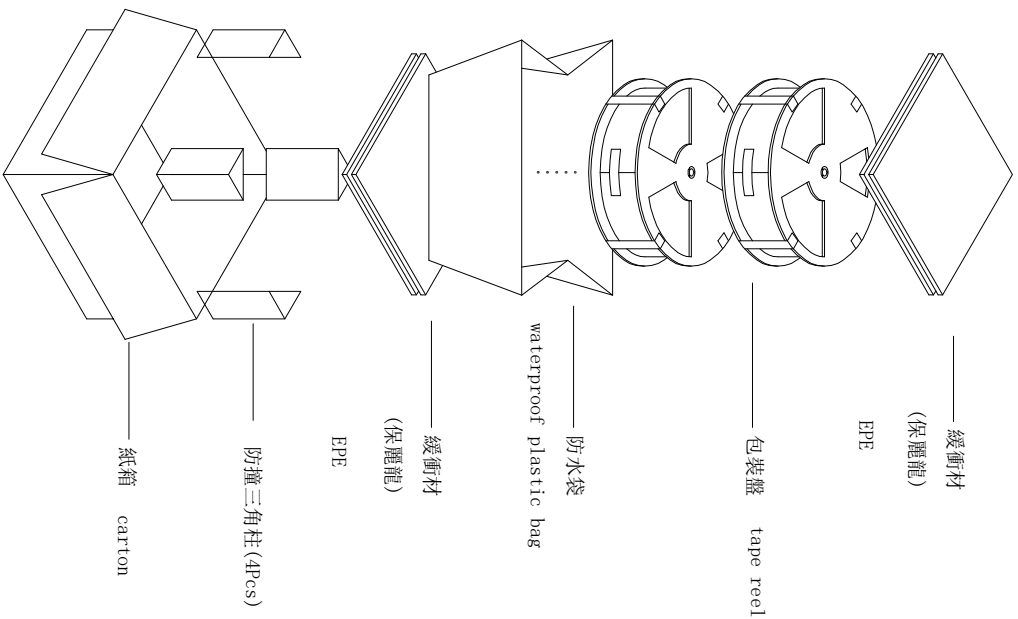
公差一览表

TOLERANCE UNLESS OTHERWISE	单位 UNITS	MM	制图 DRAWING	王冠 王冠	产品料号 PRODUCT PART NO.
X	±0.30	±0.30	审核	雷永健	23002-UCAF003-X
.X	±0.25	±0.25	核准	雷永健	TYPE C 24P板上型母座双壳外壳前两脚SMT
.XX	±0.30	±0.30	日期	2009/10/20	角法
.XXX	±0.15	±0.15	日期	2009/10/20	角法

RoHS 客户图

目錄 MAPX A0	變更內容 MODIFICATION NEW	日期 DATE 09-10-20
------------------	-----------------------------	------------------------

at small positioning hole of the carrier tape side).
標簽黏貼處 (朝捲裝包材的小定位孔一側)
Location of label sticking (label)



NOTE:

1. 每捲包裝數量及每箱裝箱數量如左下表格
Packing qty of each reel & carton as below table shown.
2. 以上膠帶覆蓋下包裝帶經包裝機熱熔包裝
Use cover tape to cover and hot melt machine to seal up.
3. 每個紙箱放2個珍珠棉
Every carton use 2pcs EPE.
4. 將裝滿產品的卷盤放入紙箱並以膠帶封口
Put reels in the carton and use adhesive tape to seal up.

產品圖

PRODUCT CHART DWG

深圳市鑫風雷電子有限公司

公差一覽表 TOLERANCE UNLESS OTHERWISE		單位 UNITS	MM	制圖 DRAWING	王冠 CORONA	產品料號 PRODUCT PART NO.	23002-UCAF003-X
X	±0.30	X'	±5'	審核 CHKD	雷永健	產品名稱 PRODUCT NO.	TYPE C 24P板上型母座雙壳外壳前兩腳SMT
.X	±0.25	.X'	±2'	核准 APPD	雷永健	角法 VIEW	⊕ 版本 VER
.XX	±0.30	.XX'	±1'	日期 DATE	2009/10/20	版本 VER	A0
.XXX	±0.15	.XXX'	±0.5'				

產品料號 (PRODUCT No.)	包裝 PCS/REEL	數量 REELS/CARTON	(PACKING CAPACITY) PCS/CARTON	重量 N.W./PCS	重量 N.W./BOX	重量 G.W./BOX
XFLM002-UCAF003-X	700	10	7000	0.704		