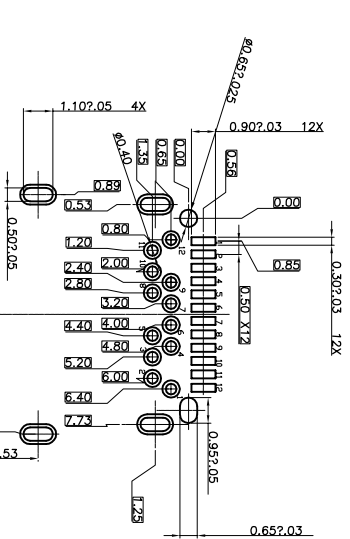
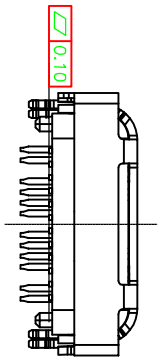
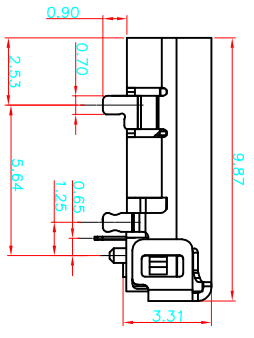
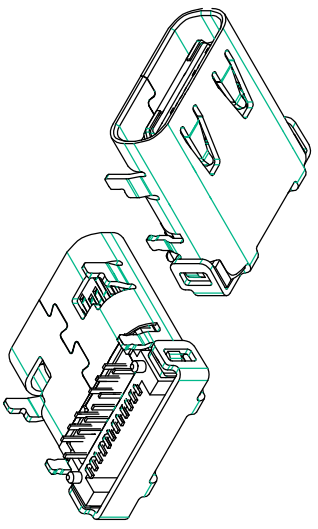
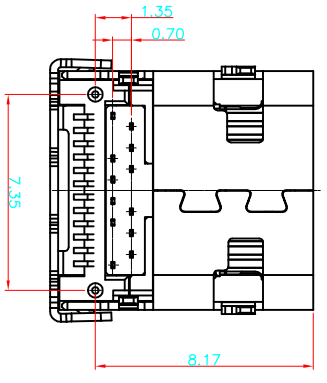
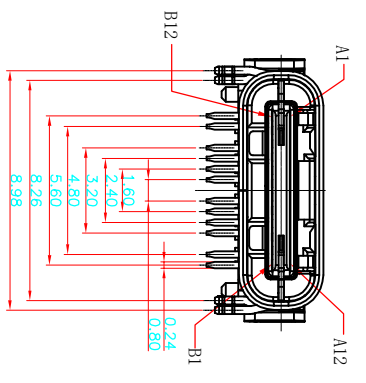
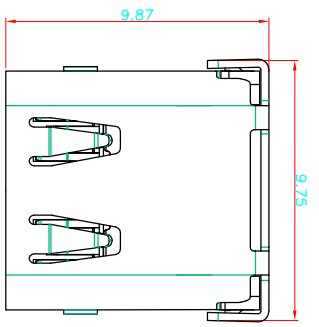


RoHS 客户图

目錄 MAPX	变更内容 MODIFICATION	日期 DATE
A0	NEW	09-10-20



PIN	SIGNAL NAME	PIN	SIGNAL NAME
A1	GND	B12	GND
A2	SS1XP1	B11	SSRXP1
A3	SSTX1	B10	SSRX1
A4	VBUS	B9	VBUS
A5	CC1	B8	SBU2
A6	DP1	B7	DM2
A7	DN1	B6	DP2
A8	SBU1	B5	CC2
A9	VBUS	B4	VBUS
A10	SSRX2	B3	SSTX2
A11	SSRXP2	B2	SSTXP2
A12	GND	B1	GND

- NOTES:
SPECIFICATION:
- CURRENT RATING: 3.0A MAX
 - VOLTAGE: 100 VAC
 - TEMPERATURE RANGE: -30 °C ~ 85 °C
 - CONTACT RESISTANCE: 40 MILLIONHM MAX
 - INSULATION RESISTANCE: 100 MEGOHMS MIN.
 - INSERTION FORCE : 5N~20N
 - UNMATING FORCE: 8N~20N
 - DURABILITY: 10,000 CYCLES

CONNECTOR FRONT EDGE
RECOMMENDED P.C.B. LAYOUT (1:1.00mm)
TOLERANCE UNSPECIFIED ±0.05mm

产品图

深圳市鑫风雷电子有限公司

NO.	DESCRIPTION	MATERIAL	REMARKS	QTY
5	SHELL	STAINLESS STEEL		1PCS
4	SPRING	STAINLESS STEEL		1PCS
3	SHIELDING PLATE	STAINLESS STEEL		1PCS
2	CONTACT	COPPER ALLOY	Au/Ni Plated	1SET
1	HOUSING	HIGH TEMPERATURE PLASTIC	BLACK	1PCS

公差一览表		单位	MM	制图	王冠	产品料号	24001-UCAF026-X
TOLERANCE UNLESS OTHERWISE		UNITS		DRAWING		PRODUCT PART NO.	
X	±0.30	X	±5°	审核	雷永健	产品名称	TYPE: C母座板上前插后贴: 2P
2	±0.25	X	±2°	核准	雷永健	1=9.87有缺口脚长0.9	
1	±0.30	XX	±1°	日期	2009/10/20	角法	
NO.	DESCRIPTION	MATERIAL	REMARKS	DATE		版本	A0
.XXX	±0.15	.XXX	±0.5°	APPD		VIEW	