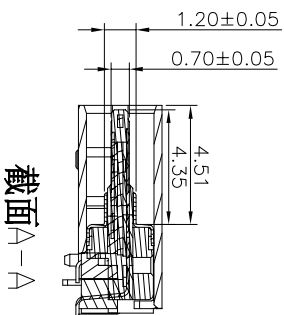
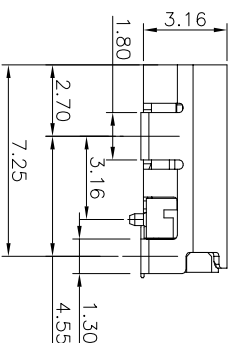
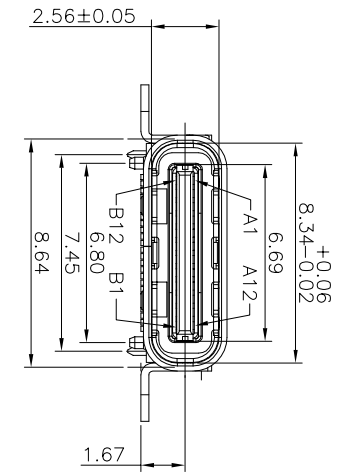
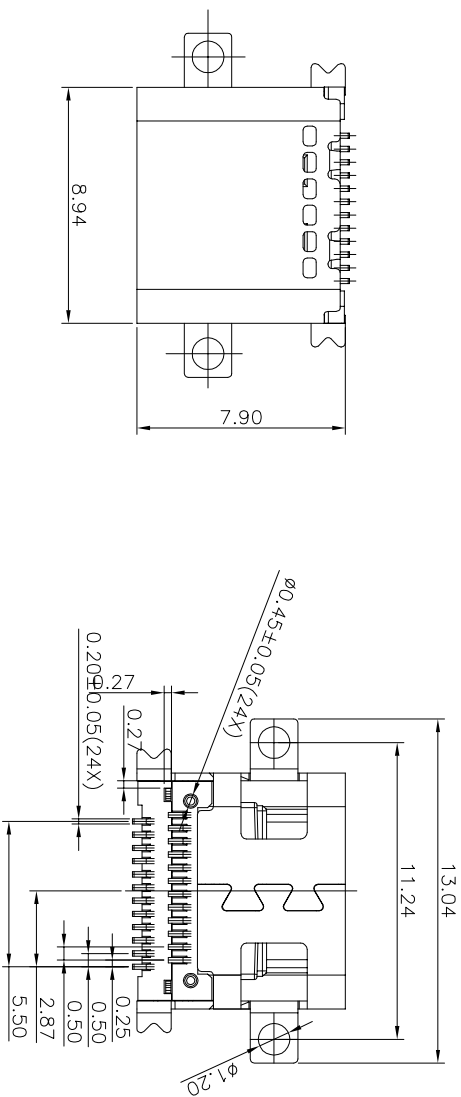


# ROHS 客户图



- NOTE:
- MATERIAL SPECIFICATION:
    - HOUSING:HIGH TEMPERATURE RESISTANT PLASTIC,U194 V-0.
    - CONTACTS: COPPER ALLOY
    - MID PLATE: STAINLESS STEEL
    - FRONT SHELL: STAINLESS STEEL
  - PLATING SPECIFICATION:
    - CONTACTS:
      - 50u" MIN. UNDER PLATED OVER ALL.
      - PLATED ON THE FUNCTIONAL AREA OF CONTACT. (GOLD PLATING THICKNESS FOLLOW THE P/N)
    - FRONT SHELL:
      - 30u" MIN. UNDER PLATED OVER ALL.
    - SHIELD PLATE:
      - 30u" MIN. UNDER PLATED OVER ALL.
      - 80u" MIN. PLATED OVER ALL
    - SHIELD PLATE&EMI PLATE: CLEAR ONLY
    - MECHANICAL PERFORMANCE,
      - INSERTION FORCE: 5~20N.
      - REMOVAL FORCE: 8~20N.
      - DURABILITY: 10000 CYCLES.
    - ELECTRICAL PERFORMANCE,
      - CURRENT RATING:5.0A
      - VOLTAGE RATING:5.0V
    - LCR:
      - VBUS & GND PINS AND OTHER PINS: 40mΩ/PIN MAX. SHIELD: 50mΩ/MAX.
      - LCR MAX. CHANGE OF ALL PINS: 10mΩ.
    - INSULATION RESISTANCE: 100MΩ MIN
    - DIELECTRIC WITHSTAND VOLTAGE:AC 100V FOR 1 MINUTE.
    - ENVIRONMENTAL PERFORMANCE:
      - OPERATING TEMPERATURE: -25?~+85?.
      - IR REFLOW: THE PEAK TEMPERATURE ON THE BOARD SHALL BE MAINTAINED FOR 10 SECONDS AT 260°C.

## 产品图

PRODUCT CHART DWG

### 公差一览表

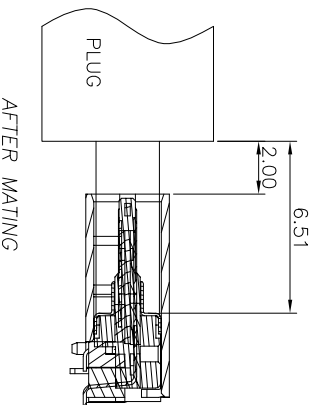
TOLERANCE UNLESS OTHERWISE SPECIFIED	公差
X	±0.30
.X	±0.25
XX	±0.30
.XXX	±0.15

深圳市鑫风雷电子有限公司  
Shenzhen xinfenglei Electronic Co., Ltd

单位 UNITS	MM	制图 DRAWTING	王冠	产品料号 PRODUCT PART NO.	26012-UCAF002-X
比例 SCALE	1:1	审核 CHD	雷永健	产品名称 PRODUCT NO.	TYPE C 24四脚全贴片SMT L=7.9
日期 DATE	2009/10/20	核准 AFD	雷永健	角法 VIEW	版本 VER
					A0

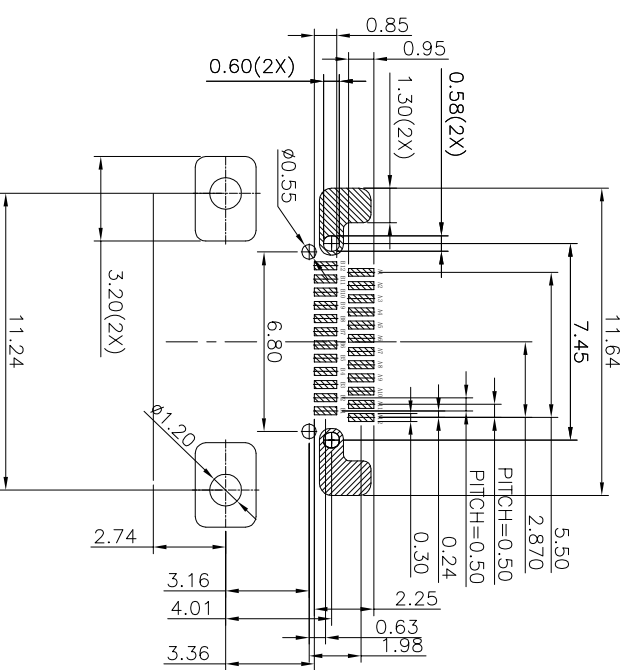
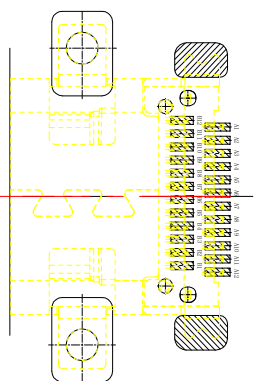
# ROHS 客户图

目錄 MAPX A0	變更內容 MODIFICATION NEW	日期 DATE 09-10-20
------------------	-----------------------------	------------------------



USB TYPE-C PIN ASSIGNMENTS

PIN NUMBER	SIGNAL NAME	PIN NUMBER	SIGNAL NAME
A1	GND	B12	GND
A2	SSTXp1	B11	SSRXp1
A3	SSTXn1	B10	SSRXn1
A4	Vbus	B9	Vbus
A5	CC1	B8	SBU2
A6	Dp1	B7	Dn2
A7	Dn1	B6	Dp2
A8	SBU1	B5	CC2
A9	Vbus	B4	Vbus
A10	SSRXn2	B3	SSTXn2
A11	SSRXp2	B2	SSTXp2
A12	GND	B1	GND



RECOMMENDED PCB LAYOUT(TOP VIEW)  
THICKNESS 0.60MM;DEFAULT TOLERANCE:±0.05

## 产品图

PRODUCT CHART DWG

深圳市鑫风雷电子有限公司  
Shenzhen xinfenglei Electronic Co., Ltd

公差一览表 TOLERANCE UNLESS OTHERWISE		单位 UNITS	MM	制图 DRAWING	王冠	产品料号 PRODUCT PART NO.	26012-UCAF002-X
X	±0.30	X'	±5'	审核 CHKD	雷永健	产品名称 PRODUCT NO.	TYPE C 24脚全贴片SMT L=7.9
.XX	±0.30	.XX'	±2'	日期 DATE	2009/10/20	角法 VIEW	⊕
.XXX	±0.15	.XXX'	±0.5'	核准 APPD	雷永健	版本 VER	A0