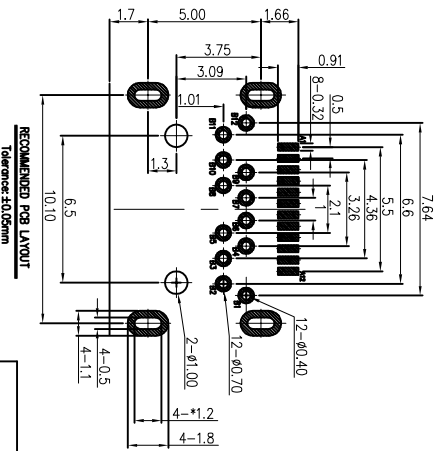
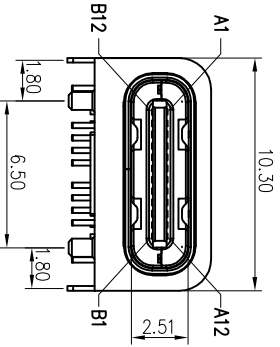
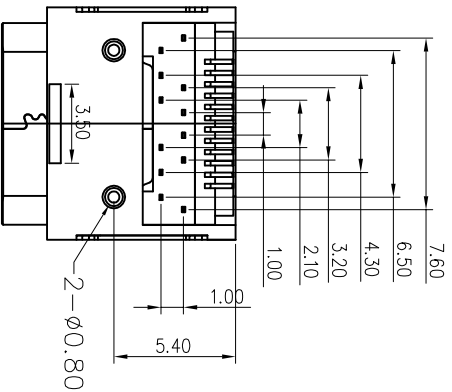
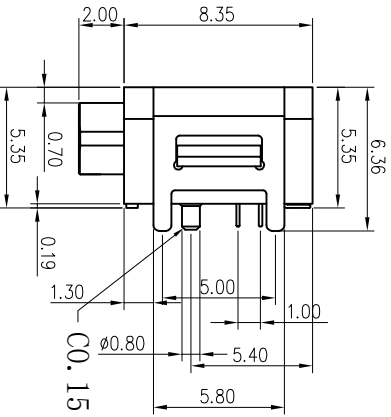
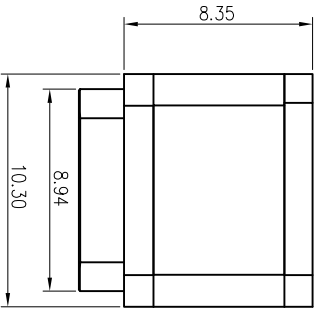
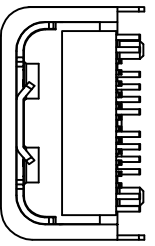


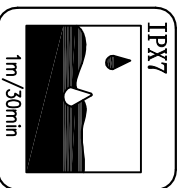
RoHS 客户图



目錄 MAPX	變更內容 MODIFICATION	日期 DATE
A0	NEW	09-10-20

NOTE:

- MECHANICAL PERFORMANCE:
 - 1-1. INSERTION FORCE: 0.5~2.0kgf
 - 1-2. REMOVAL FORCE: 0.8kgf~2.0kgf
 - 1-3. DURABILITY: 10000 CYCLES.
- ELECTRICAL PERFORMANCE:
 - 2-1. CURRENT RATING: 3.0A
 - VOLTAGE RATING: 5.0V
- 2-2. LCR:
 - VBUS & GND PINS AND OTHER PINS: 40mΩ/PIN MAX.
 - SHELD: 50mΩ/MAX
 - SLCR MAX. CHANGE OF ALL PINS: 10mΩ
- 2-3. INSULATION RESISTANCE: 100MΩ MIN
- 2-4. DIELECTRIC WITHSTAND VOLTAGE: AC 100V FOR 1 MINUTE.
- ENVIRONMENTAL PERFORMANCE:
 - 3. OPERATING TEMPERATURE: -25°C~+85°C.
 - 4. AIR REFLOW: THE PEAK TEMPERATURE ON THE BOARD SHALL BE MAINTAINED FOR 10 SECONDS AT 260°C.



NO	DESCRIPTION	QTY	MATERIAL	REMARKS
1	HOUSING	1PCS	LOP	BLACK
2	SHELL HOUSING	1PCS	LOP	BLACK
3	CONTACT	1SET	Brass	半金線 1u"
4	Bracket	1PCS	STAINLESS STEEL	鍍銀 50u"
5	SHELL	1PCS	STAINLESS STEEL	鍍銀 30u"
6	Middle clip	1PCS	STAINLESS STEEL	Cleaning
7	Run-RING	1PCS	Silica gel	BLACK

A1	GND	B12	GND
A2	SSTXP1	B11	SSTXP1
A3	SSTXN1	B10	SSTXN1
A4	VBUS	B09	VBUS
A5	CC1	B08	VBUS
A6	DP1	B07	DN2
A7	DN1	B06	DP2
A8	SBU1	B05	CC2
A9	VBUS	B04	VBUS
A10	SSRXN2	B03	SSRXN2
A11	SSRXP2	B02	SSRXP2
A12	GND	B01	GND
PIN	SIGNAL NAME	PIN	SIGNAL NAME

产品图
公差一览表
PRODUCT CHART DWG

深圳市鑫风雷电子有限公司
Shenzhen xinfenglei Electronic Co., Ltd

公差一览表	公差	比例	日期	审核	批准	产品编号	产品名称	图例	备注
TOLERANCE UNLESS OTHERWISE	±0.30	1:1	2009/10/20	XXX	XXX	00705-UCAP002-X	TYPE C 24P 板上型前置贴片	TPX7	1m/30min
	±0.25								
	±0.30								
	±0.15								