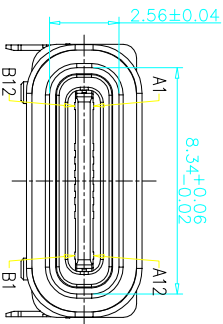
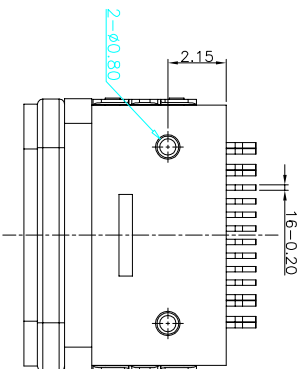
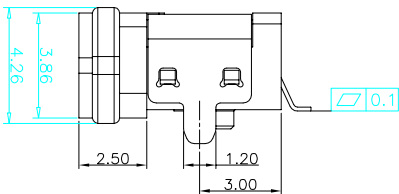
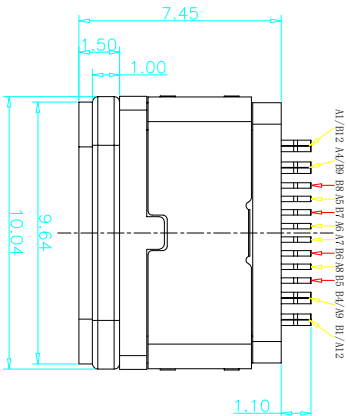
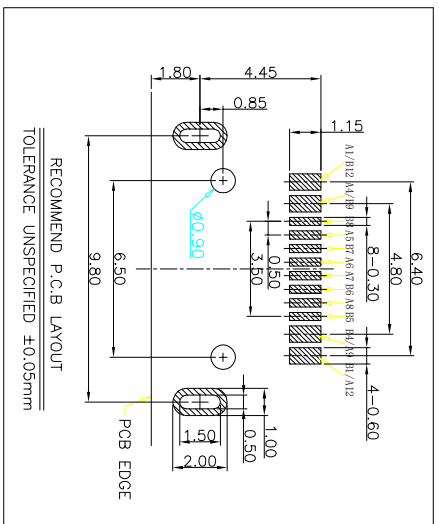
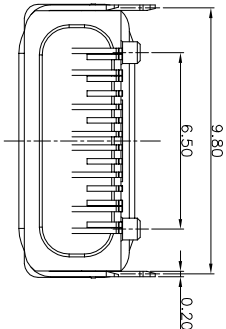
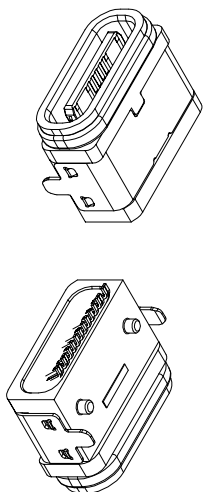


ROHS 客户图



目錄 MAPX	变更内容 MODIFICATION	日期 DATE
A0	NEW	09-10-20

- NOTES:**
- SPECIFICATION:**
- CURRENT RATING: 3.0A
 - VOLTAGE RATING: 30V
 - VBUS & GND PINS AND OTHER PINS: 40m2/PIN MAX SHIELD: 50m2/MAX
 - LCR MAX CHANGE OF ALL PINS: 100m
 - INSULATION RESISTANCE: 100MΩ/MIN
 - DIELECTRIC WITHSTAND VOLTAGE: AC 100V FOR 1MINUTE
 - INSERTION FORCE: 0.5-2.0kgf
 - LUMINATING FORCE: 0.8-2.0kgf
 - DURABILITY: 10000 CYCLES
 - OPERATING TEMPERATURE: -35°C--+85°C
 - THE PEAK TEMPERATURE ON THE BOARD SHALL BE MAINTAINED FOR 10 SECONDS AT 280°C
 - WATERPROOF: IP-X7.

USB TYPE C PIN ASSIGNMENTS

FIN NUMBER	SIGNAL NAME	PIN NUMBER	SIGNAL NAME
A1	GND	B12	GND
A4	VBUS	B9	VBUS
A5	CC1	B8	SR02
A6	DP1	B7	DN2
A7	DN1	B6	DP2
A8	SR01	B5	CC2
A9	VBUS	B4	VBUS
A12	GND	B1	GND

TABLE:

NO	PART	QTY	Material
1	PLASTIC SHELL	1	PA UL94 V-0 BLACK
2	CONTACT	16	C7025,TIN80u"/Au3u"/Ni30u"/PLATED
3	MID PLATE	1	SUS301,NO PLATING
4	HOUSING	1	LCP UL94 V-0 BLACK
5	SHIELDING PLATE	1	SUS,NI PLATED
6	WATERPROOF RING	1	SILICONE UL94 V-0 BLACK

产品图

PRODUCT CHART DWG

公差一览表

TOLERANCE UNLESS OTHERWISE	UNIT	SCALE
X	±0.30	X'
XX	±0.25	X'
XXX	±0.15	XXX'

深圳市鑫风雷电子有限公司
Shenzhen xinfenglei Electronics Co., Ltd

DATE	SCALE	制图	审核	批准	产品料号
2009/10/20	1:1	王冠	雷永健	雷永健	00101-UCAR031-B
		CHD	Leiyongjian	Leiyongjian	
		APPD	Maibozhuo	Maibozhuo	