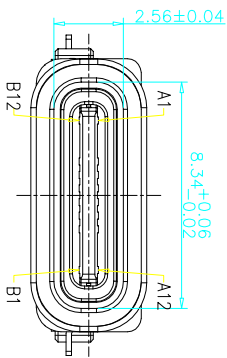
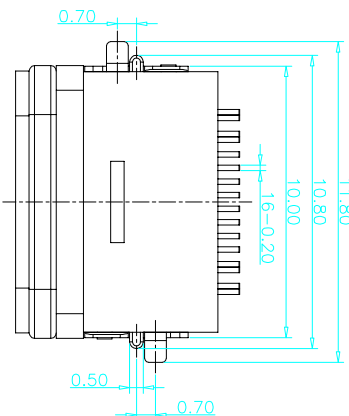
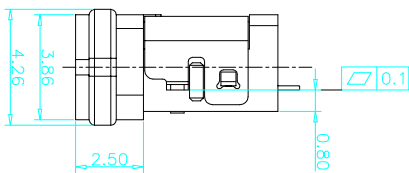
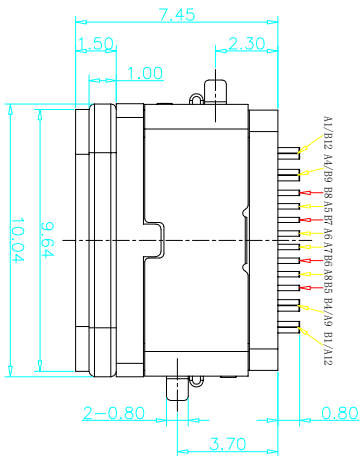
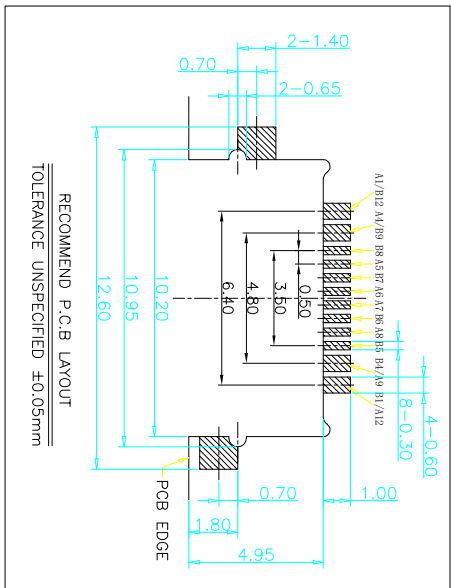
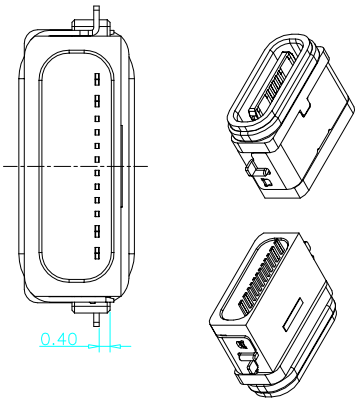


ROHS 客户图



- NOTES:**
- SPECIFICATION:**
- CURRENT RATING: 3.0A
 - VOLTAGE RATING: 30V
 - VBUS & GND PINS AND OTHER PINS: 40mD/PIN MAX SHIELD: 50mD/MAX
 - LCR MAX CHANGE OF ALL PINS: 100m
 - INSULATION RESISTANCE: 100MΩ/MIN
 - DIELECTRIC WITHSTAND VOLTAGE: AC 100V FOR 1MINUTE
 - INSERTION FORCE: 0.5-2.0kgf
 - PLUNNATING FORCE: 0.8-2.0kgf
 - DURABILITY: 10000 CYCLES
 - OPERATING TEMPERATURE: -35°C~+85°C
 - THE PEAK TEMPERATURE ON THE BOARD SHALL BE MAINTAINED FOR 10 SECONDS AT 280°C
 - WATERPROOF: IP-X7.

USB TYPE C PIN ASSIGNMENTS

| PIN NUMBER | SIGNAL NAME | PIN NUMBER | SIGNAL NAME |
|------------|-------------|------------|-------------|
| A1 | GND | B12 | GND |
| A4 | VBUS | B9 | VBUS |
| A5 | CC1 | B8 | SR02 |
| A6 | DP1 | B7 | DN2 |
| A7 | DN1 | B6 | DP2 |
| A8 | SB01 | B5 | CC2 |
| A9 | VBUS | B4 | VBUS |
| A12 | GND | B1 | GND |

TABLE:

| NO | PART | QTY | Material |
|----|-----------------|-----|----------------------------------|
| 1 | PLASTIC SHELL | 1 | PA UL94 V-0 BLACK |
| 2 | CONTACT | 16 | C7025,TIN80u"/Au5u"/Ni30u"PLATED |
| 3 | MID PLATE | 1 | SUS301,NO PLATING |
| 4 | HOUSING | 1 | LCP UL94 V-0 BLACK |
| 5 | SHIELDING PLATE | 1 | SUS,NI PLATED |
| 6 | WATERPROOF RING | 1 | SILICONE UL94 V-0 BLACK |

产品图

PRODUCT CHART DWG

公差一览表

| TOLERANCE UNLESS OTHERWISE | UNIT | SCALE |
|----------------------------|-------|-------|
| X | ±0.30 | ±5' |
| XX | ±0.25 | ±2' |
| XXX | ±0.15 | ±0.5' |

深圳市鑫风雷电子有限公司

Shenzhen xinfenglei Electronics Co., Ltd

| DATE | SCALE | DATE | SCALE |
|------------|-------|------------|-------|
| 2009/10/20 | 1:1 | 2009/10/20 | 1:1 |