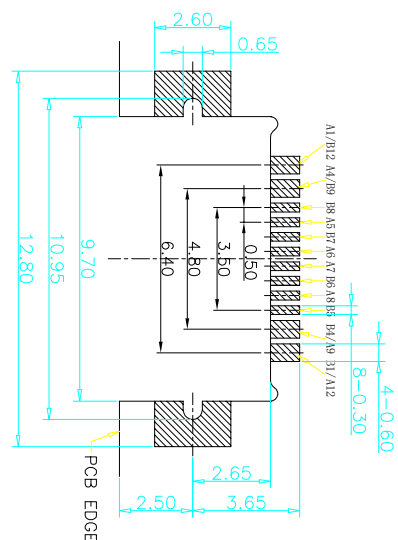
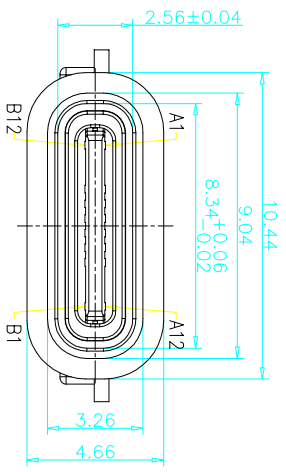
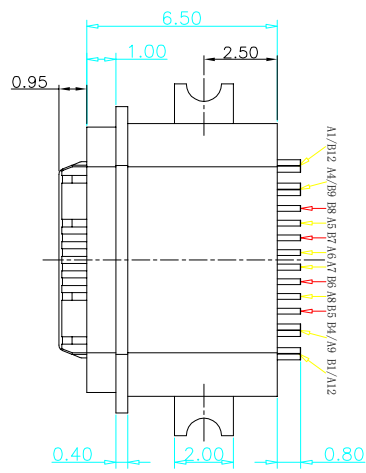
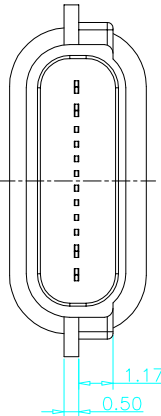
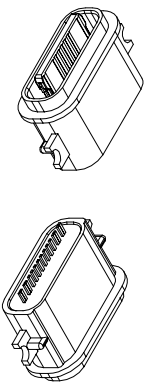
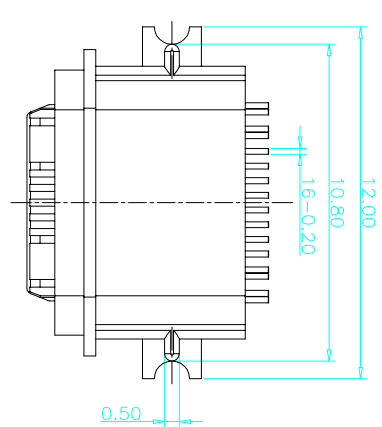
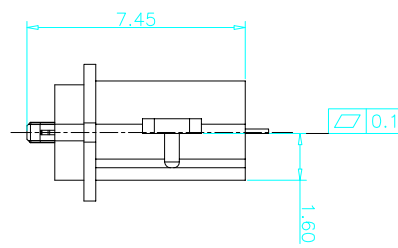


# RoHS 客户图

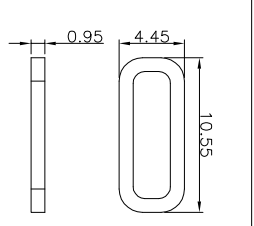


RECOMMEND P.C.B LAYOUT  
TOLERANCE UNSPECIFIED ±0.05mm



|                  |                             |                        |
|------------------|-----------------------------|------------------------|
| 目錄<br>MAPX<br>A0 | 變更內容<br>MODIFICATION<br>NEW | 日期<br>DATE<br>09-10-20 |
|------------------|-----------------------------|------------------------|

- NOTES:**  
**SPECIFICATION:**  
 1. CURRENT RATING: 3.0 A  
 2. VOLTAGE RATING: 3.0 V  
 3. VBUS & GND PINS AND OTHER PINS: 40mΩ/PIN MAX SHIELD: 50mΩ/MAX  
 4. INSULATION RESISTANCE: 100MΩ MIN  
 5. DIELECTRIC WITHSTAND VOLTAGE AC: 100V FOR 1MINUTE  
 6. INSERTION FORCE: 0.5-2.0kgf  
 7. UNMATING FORCE: 0.8-2.0kgf  
 8. DURABILITY: 10000 CYCLES  
 9. OPERATING TEMPERATURE: -35°C~+85°C  
 10. THE PEAK TEMPERATURE ON THE BOARD SHALL BE MAINTAINED FOR 10 SECONDS AT 280°C  
 11. WATERPROOF: IP-X7.



防水圈图示

USB TYPE C PIN ASSIGNMENTS

| PIN NUMBER | SIGNAL NAME | PIN NUMBER | SIGNAL NAME |
|------------|-------------|------------|-------------|
| A1         | GND         | B12        | GND         |
| A4         | VBUS        | B9         | VBUS        |
| A5         | CC1         | B8         | SBUS2       |
| A6         | DP1         | B7         | DN2         |
| A7         | DM1         | B6         | DP2         |
| A8         | SBUS1       | B5         | CC2         |
| A9         | VBUS        | B4         | VBUS        |
| A12        | GND         | B1         | GND         |

TABLE:

| NO | PART            | QTY | Material                           |
|----|-----------------|-----|------------------------------------|
| 1  | SHELL           | 1   | ZINC ALLOY,NI30U*Min PLATED        |
| 2  | CONTACT         | 16  | C7025,TIN80U*/AU3U*/NI30U*PLATED   |
| 3  | MID PLATE       | 1   | SUS301,NO PLATING                  |
| 4  | HOUSING         | 1   | LCP(E130I) UL94 V-0 BLACK          |
| 5  | WATERPROOF RING | 1   | SILICONE(SI/60-65A) UL94 V-0 BLACK |

## 产品图

深圳市鑫风雷电子有限公司  
Shenzhen xinfenglei Electronics Co., Ltd

|                                     |       |             |             |            |                     |                                |
|-------------------------------------|-------|-------------|-------------|------------|---------------------|--------------------------------|
| 公差一览表<br>TOLERANCE UNLESS OTHERWISE |       | 单位<br>UNITS | 比例<br>SCALE | 日期<br>DATE | 制图<br>DRAWING       | 产品料号<br>PRODUCT PART NO.       |
| X                                   | ±0.30 | X'          | 1:1         | 2009/10/20 | 王冠<br>Wangguan      | 00101-UCAR041-A                |
| XX                                  | ±0.25 | X''         | ±2'         |            | 雷永健<br>Lei Yongjian | 产品名称<br>PRODUCT NO.            |
| XXX                                 | ±0.15 | XXX'        | ±1.5'       |            | 雷永健<br>Lei Yongjian | 联系方式<br>MAILBOX: sales@xfl.com |
|                                     |       |             |             |            | 核准<br>APPD          | 联系方式<br>MAILBOX: sales@xfl.com |