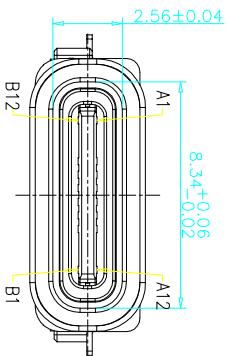
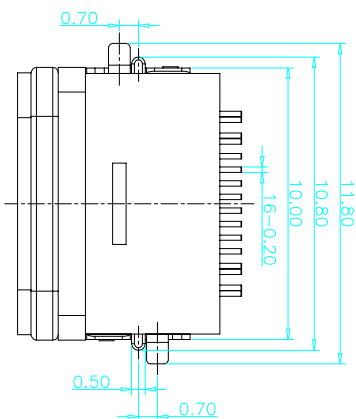
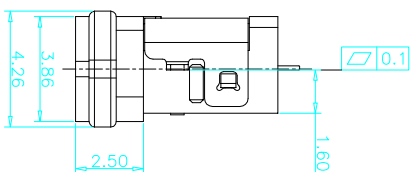
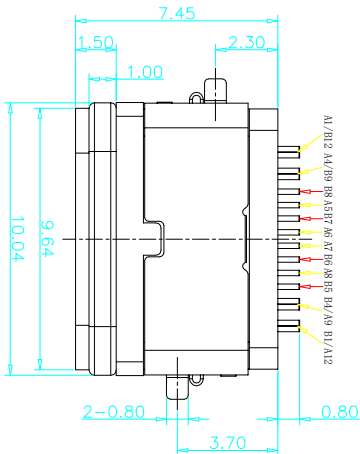
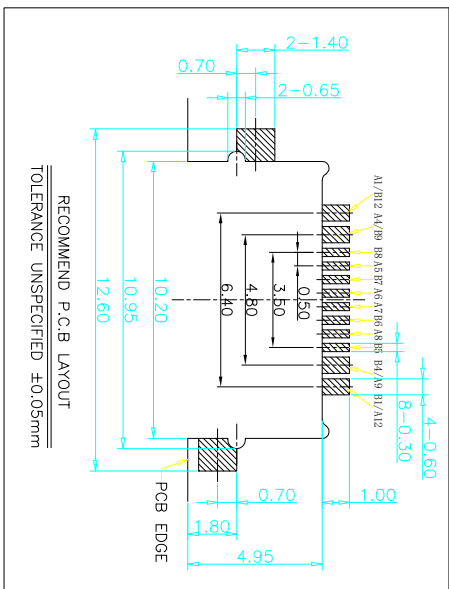
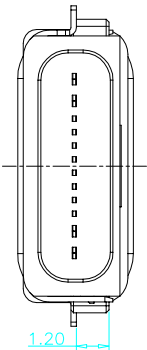
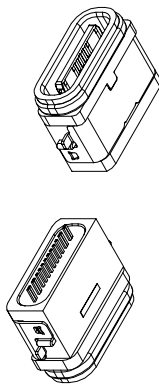


ROHS 客户图



目錄 MAPX	变更内容 MODIFICATION	日期 DATE
A0	NEW	09-10-20

- NOTES:**
- SPECIFICATION:**
- CURRENT RATING: 3.0A
 - VOLTAGE RATING: 30V
 - VBUS & GND PINS AND OTHER PINS: 40mD/PIN MAX SHIELD: 50mD/MAX
 - LCR MAX CHANGE OF ALL PINS: 100m
 - INSULATION RESISTANCE: 100MΩ/MIN
 - DIELECTRIC WITHSTAND VOLTAGE AC: 100V FOR 1MINUTE
 - INSERTION FORCE: 0.5-2.0Nf
 - LUNMATING FORCE: 0.8-2.0Nf
 - DURABILITY: 10000 CYCLES
 - OPERATING TEMPERATURE: -35°C--+85°C
 - THE PEAK TEMPERATURE ON THE BOARD SHALL BE MAINTAINED FOR 10 SECONDS AT 280°C
 - WATERPROOF: IP-X7.

USB TYPE C PIN ASSIGNMENTS

FIN NUMBER	SIGNAL NAME	PIN NUMBER	SIGNAL NAME
A1	GND	B12	GND
A4	VBUS	B9	VBUS
A5	CC1	B8	SR02
A6	DP1	B7	DP2
A7	DN1	B6	CC2
A8	SB01	B5	VBUS
A9	VBUS	B4	VBUS
A12	GND	B1	GND

TABLE:

NO	PART	QTY	Material
1	PLASTIC SHELL	1	PA UL94 V-0 BLACK
2	CONTACT	16	C7025,TIN80u"/Au5u"/Ni30u"/PLATED
3	MID PLATE	1	SUS301,NO PLATING
4	HOUSING	1	LCP UL94 V-0 BLACK
5	SHIELDING PLATE	1	SUS,NI PLATED
6	WATERPROOF RING	1	SILICONE UL94 V-0 BLACK

产品图

PRODUCT CHART DWG

公差一览表

TOLERANCE UNLESS OTHERWISE	UNIT	SCALE
X	±0.30	±5°
XX	±0.25	±2°
XXX	±0.20	±1°
XXX	±0.15	±0.5°

深圳市鑫风雷电子有限公司

Shenzhen xinfenglei Electronics Co., Ltd

制图 DRAWING	王冠 Wangguan	产品料号 PRODUCT NO.	00101-UCAR034-B
审核 CHECK	雷永健 Leiyongjian	产品名称 PRODUCT NO.	
核准 APPRO	雷永健 Leiyongjian	联系方式 CONTACT	mailto:sale@xfll.com www.xfll.com.com
日期 DATE	2009/10/20		