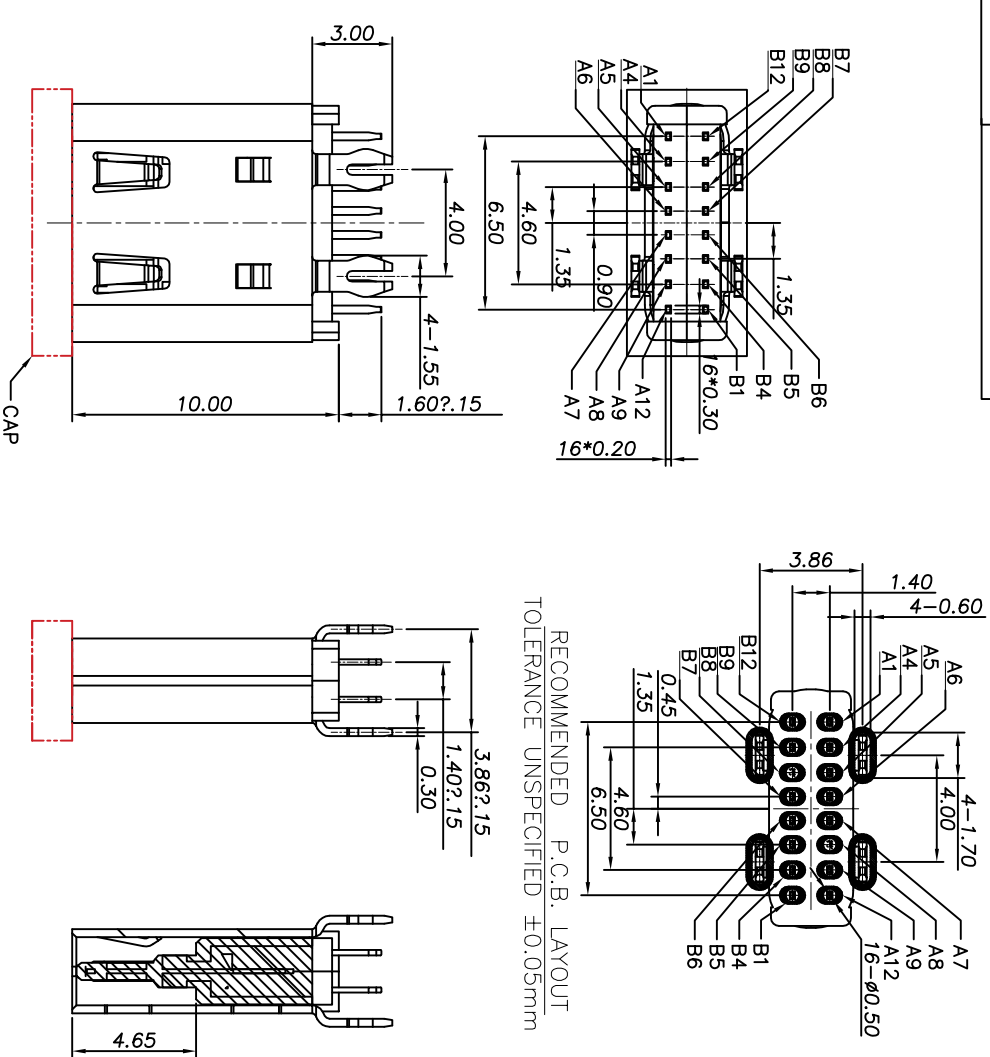
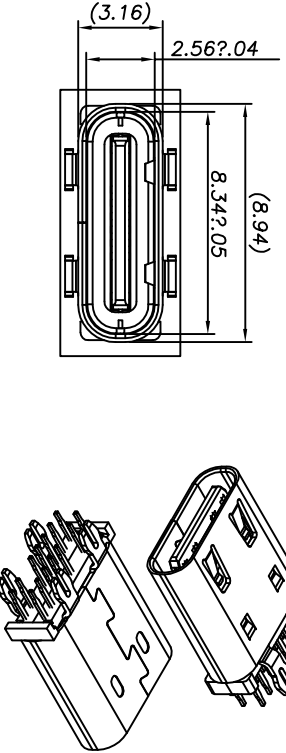


ROHS 客户图



RECOMMENDED P.C.B. LAYOUT
TOLERANCE UNSPECIFIED ±0.05mm

- NOTE:
- MATERIAL SPECIFICATION:
 - HOUSING: HIGH TEMPERATURE RESISTANT PLASTIC, UL94 V-0.
 - CONTACTS: COPPER ALLOY
 - MID PLATE: STAINLESS STEEL
 - FRONT SHELL: STAINLESS STEEL
 - MECHANICAL PERFORMANCE:
 - INSERTION FORCE: 5~20N.
 - REMOVAL FORCE: 8~20N.
 - DURABILITY: 10000 CYCLES.
 - ELECTRICAL PERFORMANCE:
 - CURRENT RATING: 5.0A
 - VOLTAGE RATING: 20V
 - LCR:
 - VBUS & GND PINS AND OTHER PINS: 40mΩ/PIN MAX. SHIELD: 50mΩ/MAX. LCR MAX. CHANGE OF ALL PINS: 10mΩ.
 - INSULATION RESISTANCE: 100MΩ MIN
 - DIELECTRIC WITHSTAND VOLTAGE: AC 100V FOR 1 MINUTE.
 - ENVIRONMENTAL PERFORMANCE:
 - OPERATING TEMPERATURE: -25°C~+85°C.
 - IR REFLOW: THE PEAK TEMPERATURE ON THE BOARD SHALL BE MAINTAINED FOR 10 SECONDS AT 260°C.



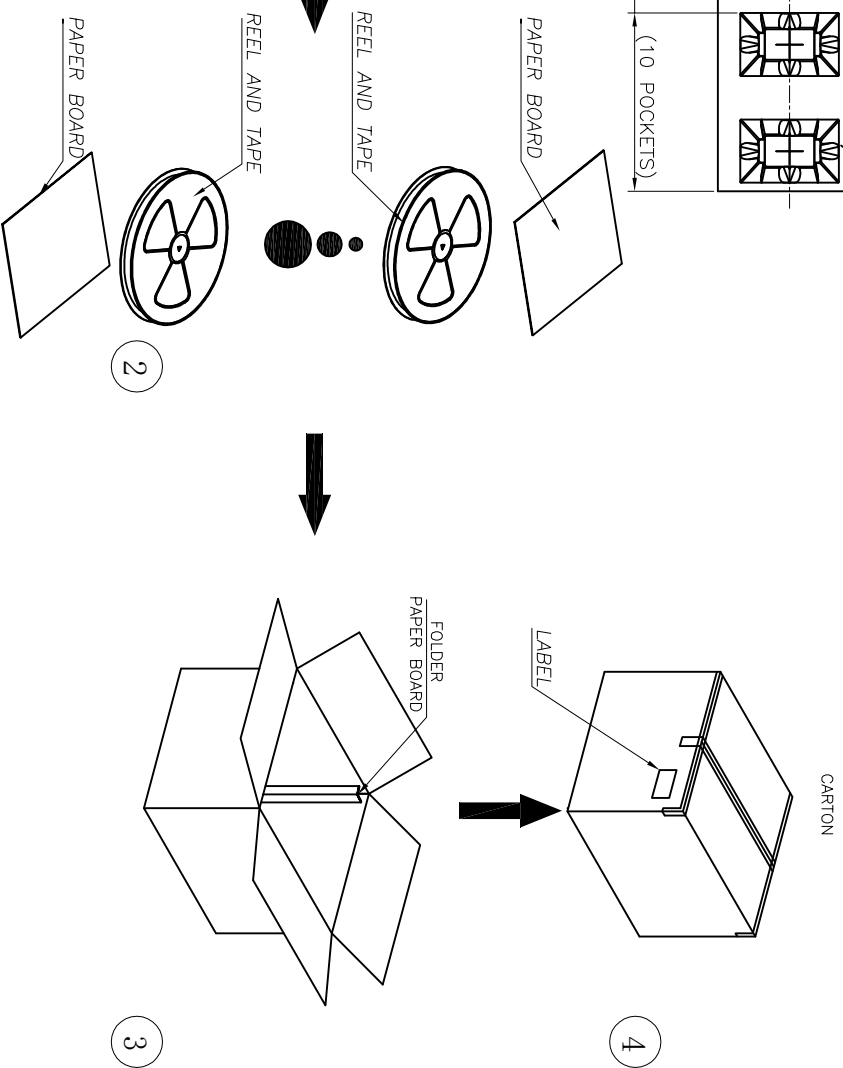
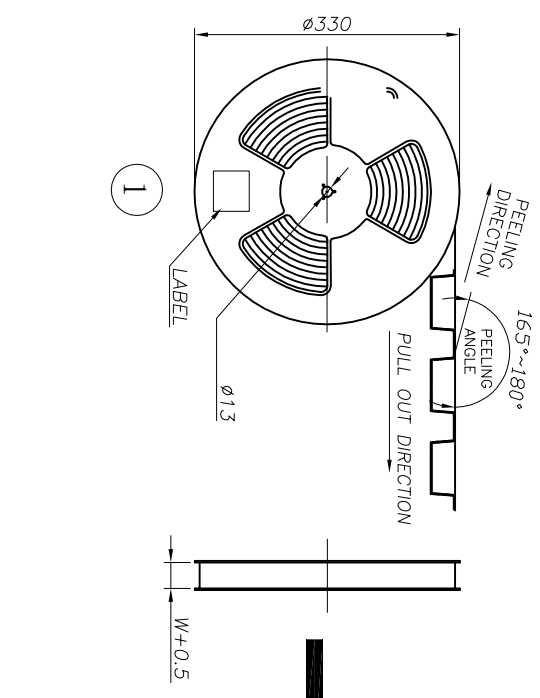
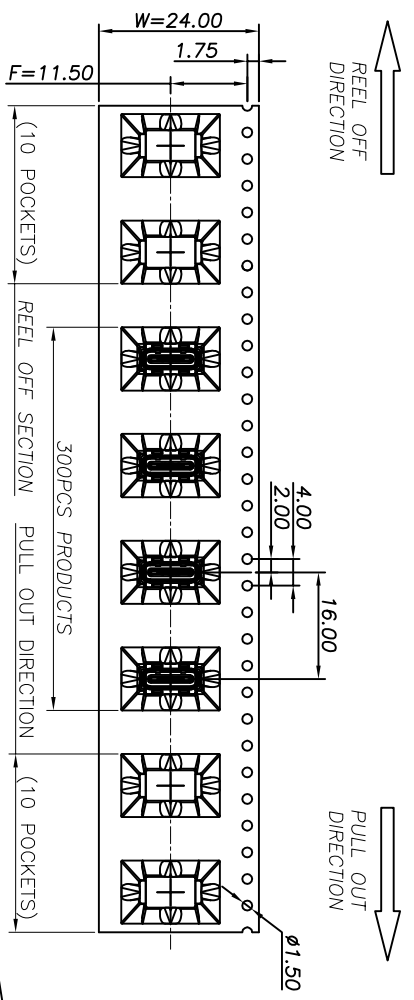
公差一览表 TOLERANCE UNLESS OTHERWISE		单位 UNITS		比例 SCALE		日期 DATE	
X	±0.30	X'	±5'	1:1	王冠	2009/10/20	
X	±0.25	X'	±2'		雷永健		
XX	±0.20	XX'	±1'		雷永健		
XXX	±0.15	XXX'	±0.5'		核准		

深圳市鑫风雷电子有限公司
Shenzhen xinfenglei Electronics Co., Ltd

ROHS 客户图

目錄 MAPX	变更内容 MODIFICATION	日期 DATE
A0	NEW	09-10-20

包装明细表 (The detail of the packing)			Carton
产品料號 (Product No.)	包装容量 (Packing Capacity)	pcs/box	boxes/Carton
		300	10
			Pcs/Box
			3000



产品图 PRODUCT CHART DWG		公差一览表 TOLERANCE UNLESS OTHERWISE	
X	±0.30	X'	±5'
X	±0.25	X''	±2'
XX	±0.20	XX'	±1'
XXX	±0.15	XXX'	±0.5'

深圳市鑫风雷电子有限公司
Shenzhen xinfenglei Electronics Co., Ltd

单位 UNITS	MM	制图 DRAWING	王冠 Wangguan	产品料号 PRODUCT PART NO.	00724-UCAR002-X
比例 SCALE	1:1	审核 CHKD	雷永健 Lei Yongjian	产品名称 PRODUCT NO.	Type C 16p母座180度插板H=10.0
日期 DATE	2009/10/20	核准 APPD	雷永健 Lei Yongjian	联系方式 CONTACT INFO	mailbox: sale1@xfll.com.com www: xfll.com.com