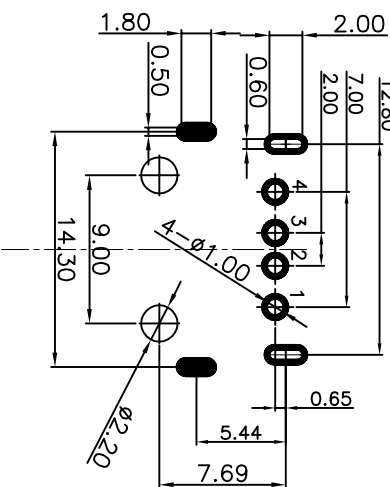
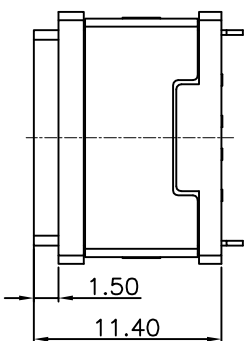
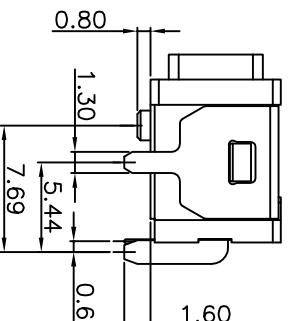
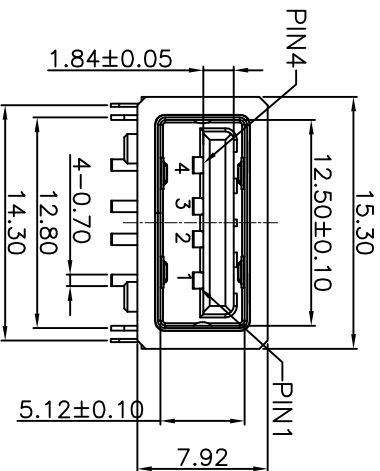
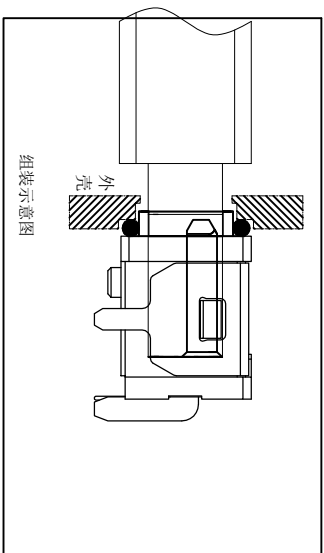
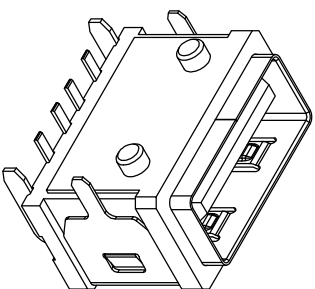


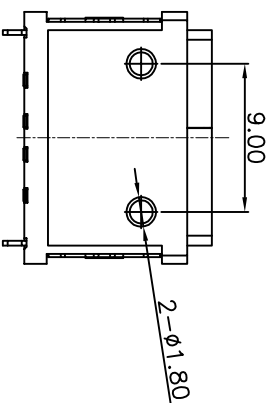
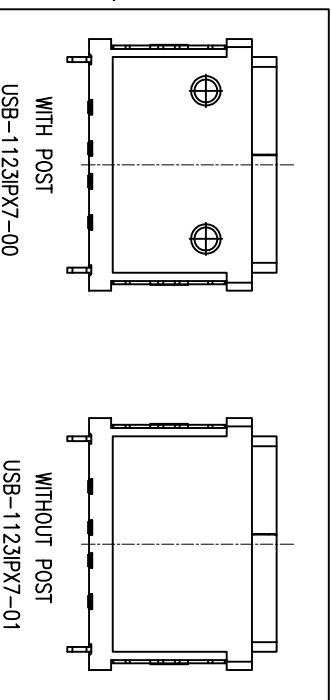
# 客户图



RECOMMENDED PCB LAYOUT(TOP VIEW)  
THICKNESS T=1.0mm  
DEFAULT TOLERANCE+/-0.05

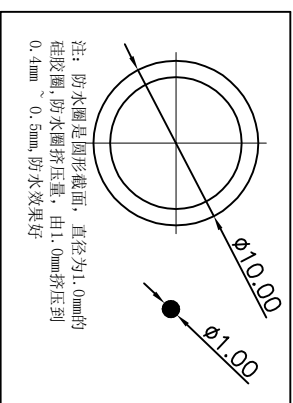


- NOTES:  
SPECIFICATION:
- CURRENT RATING: 3.0A MAX
  - DIELECTRIC WITHSTAND VOLTAGE: 100VAC
  - TEMPERATURE RANGE: -30 °C ~ 85 °C
  - CONTACT RESISTANCE: 40 MILLIONHM MAX
  - INSULATION RESISTANCE: 100 MEGOHMS MIN.
  - INSERTION FORCE : 10N~30N
  - UNMATING FORCE: 8N~30N
  - DURABILITY:1500 CYCLES



PIN ASSIGNMENT

PIN NO.	1	2	3	4
SIGNAL NAME	VBUS	D-	D+	GND



ITEM	PART NAME	Q'TY	FINISH	NOTE
5	Outer Shell	1	SUS 301 1/4H	
4	Inner Shell	1	SUS 301 1/4H	
3	PLASTIC Shell	1	PA10T (G:F30%)	
2	Contact	4	BRASS C2680-EH Au/Ni Plating T=0.25mm	
1	Housing	1	PA10T (G:F30%)	

PRODUCT CHART DWG		深圳市鑫风雷电子有限公司	
公差一览表		Shenzhen xinfenglei Electronics Co., Ltd	
TOLERANCE UNLESS OTHERWISE	UNIT	制图	产品料号
X ±0.30	MM	王冠	00208-U2AF002-X
X ±0.25	MM	雷永健	
XX ±0.20	MM	雷永健	
XXX ±0.15	MM	雷永健	
比例 1:1		审核	产品名称
日期 2009/10/20		批准	产品编号
		Appd	联系方式
			USB A/F 90度防水有柱带外壳四脚 L=11.4
			mailbox: sale@xfll.com.com
			www.xfll.com.com