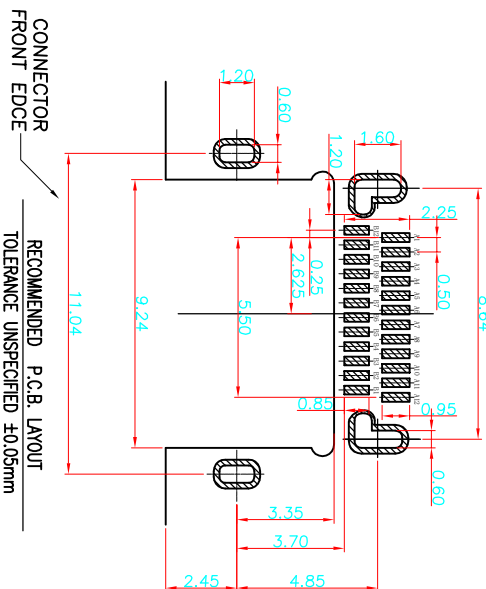
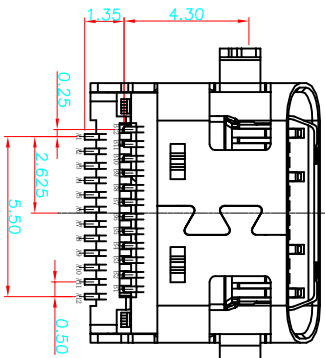
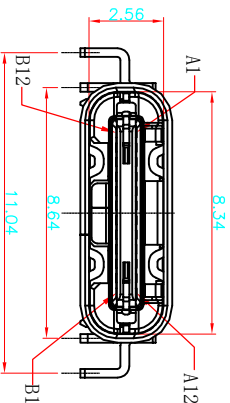
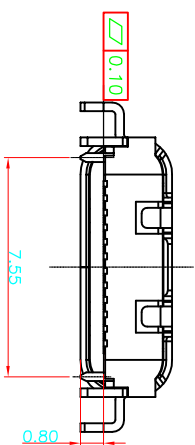
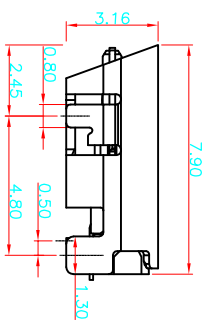
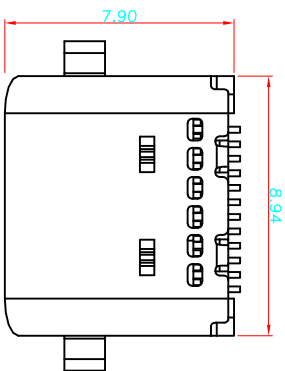


ROHS

客户图

| | | |
|------------|----------------------|------------|
| 目錄 MAPX | 變更內容 MODIFICATION | 日期 DATE |
| A0 | NEW | 09-10-20 |



| | | | |
|-----|-------------|-----|-------------|
| A1 | GND | B12 | GND |
| A2 | SSTXP1 | B11 | SSRX1 |
| A3 | SSTXN1 | B10 | SSRXN1 |
| A4 | VBUS | B9 | VBUS |
| A5 | CCI | B8 | SBU2 |
| A6 | DP1 | B7 | DN2 |
| A7 | DN1 | B6 | DP2 |
| A8 | SBU1 | B5 | CC2 |
| A9 | VBUS | B4 | VBUS |
| A10 | SSRXN2 | B3 | SSTXN2 |
| A11 | SSRX1 | B2 | SSTXP2 |
| A12 | GND | B1 | GND |
| PIN | SIGNAL NAME | PIN | SIGNAL NAME |

- SPECIFICATION:
- CURRENT RATING: 3A MAX
 - VOLTAGE: 100 VAC
 - TEMPERATURE RANGE: -30 °C ~ 85 °C
 - CONTACT RESISTANCE: 40 MILLIONHM MAX
 - INSULATION RESISTANCE: 100 MEGOHMS MIN.
 - INSERTION FORCE : 5N~20N
 - UNMATING FORCE: 8N~20N
 - DURABILITY: 10,000 CYCLES

产品图

深圳市鑫风雷电子有限公司

| | | | | | | | |
|-------------------------------------|-------|-------------|-------|---------------|-----|--------------------------|-------------------------|
| 公差一览表 TOLERANCE UNLESS OTHERWISE | | 单位 UNITS | MM | 制图 DRAWING | 王冠 | 产品料号 PRODUCT PART NO. | 24001-UCAP011-X |
| X | ±0.30 | X' | ±5' | 审核 CHECK | 雷永健 | 产品名称 PRODUCT NO. | TYPE C母座沉板0.8 双排SMT贴片接口 |
| X | ±0.25 | X'' | ±2' | 核准 APPD | 雷永健 | 角法 VIEW | |
| XX | ±0.30 | XX' | ±1' | 日期 DATE | | 版本 VER | A0 |
| XXX | ±0.15 | XXX' | ±0.5' | | | | |