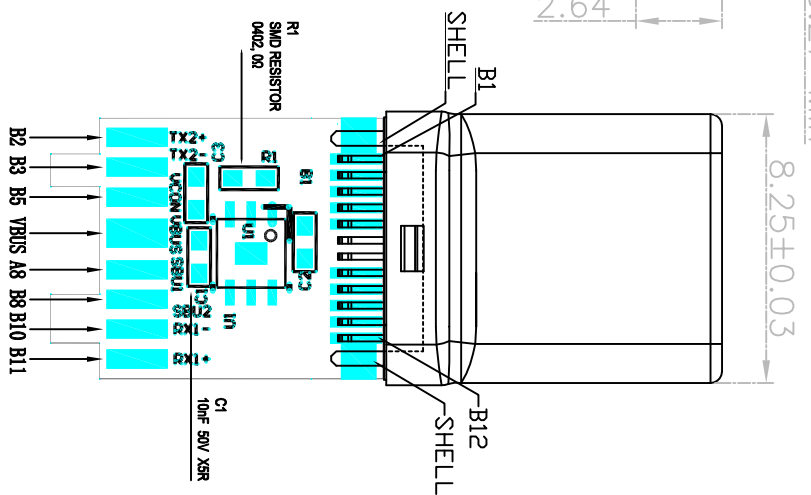
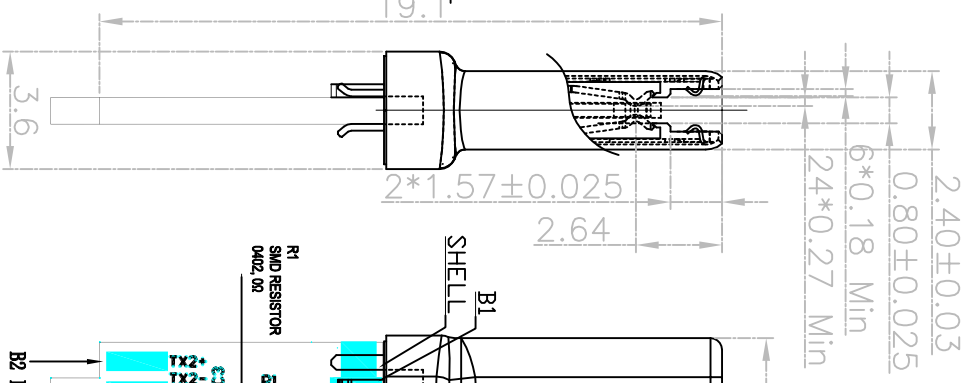
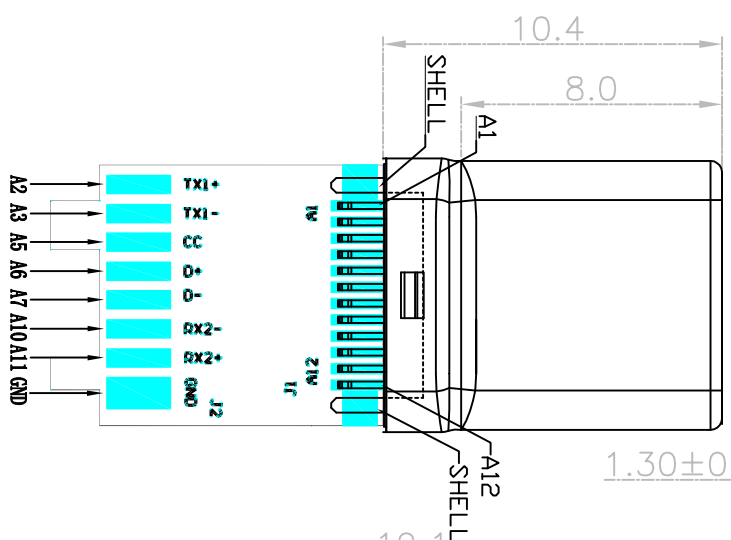
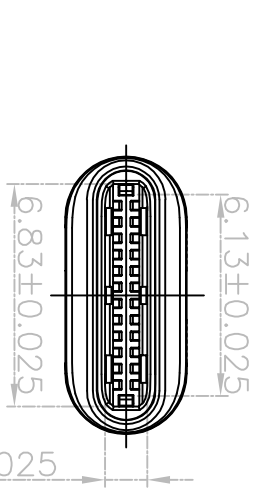


ROHS

客户图

目錄 MAPX	變更內容 MODIFICATION	日期 DATE
A0	NEW	09-10-20



NOTE:
 1. MATERIAL:
 1.1 INSULATOR: HIGH TEMPERATURE PLASTIC
 UL 94 V-0;
 1.2 CONTACT: COPPER ALLOY(T=0.20mm)
 1.3 SHELL: STEEL(T=0.15mm)
 2. ELECTRICAL CHARACTERISTICS:
 2.1 CONTACT RESISTANCE: 40mΩ Max FOR INITIAL, 10mΩ
 CHANGE AFTER TEST. MEASURE AT 20mV, 100mA.
 2.2 CONTACT CURRENT RATING: 5A Max FOR VBUS/GND PIN; 0.9A Max FOR Other PIN.
 2.3 DIELECTRIC WITHSTANDING VOLTAGE: 100V AC R.M.S.
 2.4 INSULATION RESISTANCE: 100MΩ Min
 2.5 OPERATING TEMPERATURE: -40°C~85°C
 3. MECHANICAL CHARACTERISTICS:
 3.1 MATING FORCE: 5~20 N.
 3.2 UNMATED FORCE: 6~20N AFTER TEST
 3.3 DURABILITY: 10,000 CYCLES, 500 CYCLES/H
 4. PLATING
 CONTACT: CONTACT AREA PLATING Au 30u"
 SOLDER AREA PLATING 80~120u" MATTING Sn.
 SHELL/SPRING/BUCKLE:20u" Min PLATING OVER ALL

电测示意图

A1, A12, B1, B12, SHELL	GND
A5	CC
B5	VCONN
A6	D+
A7	D-
A4, A9, B4, B9	VBUS
A2	TX1+
A3	TX1-
B11	RX2+
B10	RX2-
B2	TX2+
B3	TX2-
A11	RX2+
A10	RX2-
A8	SBU1
B8	SBU2

PCB, CT104, 六层板 FR-4, 绿油沉金 板厚0.8mm
 带芯片上料位置:
 R1, 电阻, 00
 C1, 电容 10nF 6.3 XSR
 (即: U1, C2, C3不上料)

产品图 PRODUCT CHART DWG		深圳市鑫风雷电子有限公司 Shenzhen xinfenglei Electronic Co., Ltd	
公差一览表 TOLERANCE UNLESS OTHERWISE		单位 UNITS	MM
X	±0.30	X	±5°
XX	±0.25	X'	±2°
XXX	±0.15	XXX'	±0.5°
日期 DATE	2009/10/20	制图 DRAWING	王冠 Wangguan
比例 SCALE	1:1	审核 CHKD	雷永健 Lei Yongjian
日期 DATE	2009/10/20	核准 Appd	雷永健 Lei Yongjian
产品料号 PRODUCT PART NO.	00304-UCAM010-X	产品名称 PRODUCT NO.	USB4 Type C 24p 拉伸公率3.1功能 无IC
角法 VIEW		版本 VER	A0

此图由深圳鑫风雷电子有限公司 THAT IS PROPRIETARY TO XINFENGLI ELECTRONIC CO.,LTD AND SHOULD NOT BE USED WITHOUT WRITTEN PERMISSION