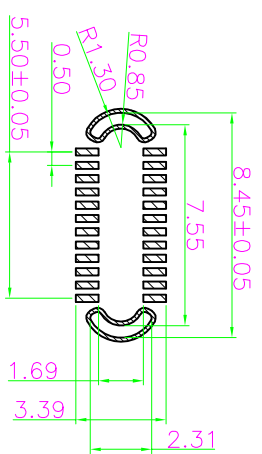
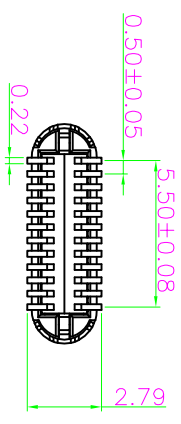
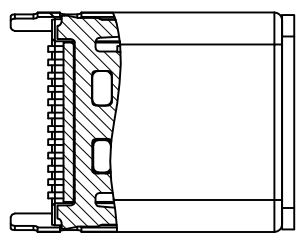
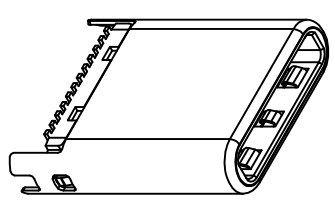
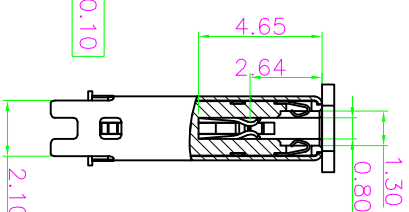
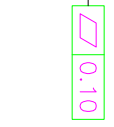
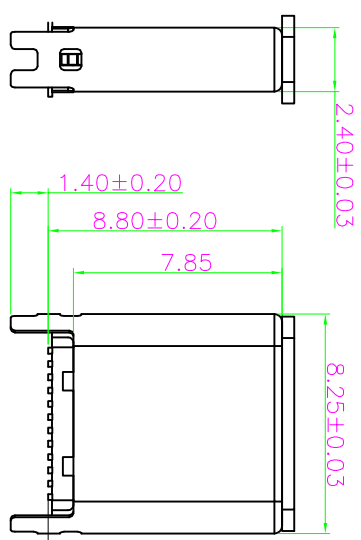
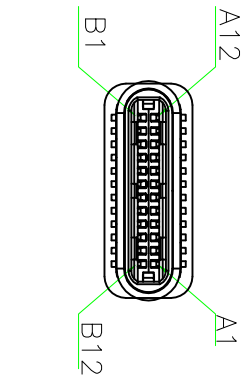


ROHS 客户图

目錄 MAPX 40	變更內容 MODIFICATION NEW	日期 DATE 09-10-20
------------------	-----------------------------	------------------------



RECOMMENDED: P.C.B. LAYOUT
TOLERANCE UNSPECIFIED ±0.05mm

TABLE1:

5	EMC SPRING	Stainless Steel; SUS301, T=0.10mm;
4	CONTACT	Copper Alloy; AuNiSn;
3	LATCH	Stainless Steel; SUS301, T=0.20mm;
2	HOUSING	LCP Thermoplastic, UL94V-0;
1	SHELL	Stainless Steel; SUS316L, T=0.15mm;
NO.	NAME	DESCRIPTION

产品图		深圳市鑫风雷电子有限公司	
公差一览表		Shenzhen xinfenglei Electronics Co., Ltd	
TOLERANCE UNLESS OTHERWISE		单位	MM
X	±0.30	X'	±5°
X	±0.25	X''	±2°
.XX	±0.20	.XX'	±1°
.XXX	±0.15	.XXX'	±0.5°
日期	2009/10/20	制图	王冠
DATE		DRAWING	Wangguan
比例	1:1	审核	雷永健
SCALE		CHECK	Leiyongjian
日期		核准	雷永健
DATE		Appd	Leiyongjian
产品料号	00702-UCAM002-X	产品名称	
PRODUCT PART NO.		PRODUCT NO.	
联系方式	mail:box: sale1@xfle.com	www:xfle.com	
联系方式	www:xfle.com		

THIS DRAWING CONTAINS INFORMATION THAT IS PROPRIETARY TO XINFENGLI ELECTRONIC CO.,LTD AND SHOULD NOT BE USED WITHOUT WRITTEN PERMISSION

ROHS 客户图

目錄 MAPX A0	變更內容 MODIFICATION NEW	日期 DATE 09-10-20
------------------	-----------------------------	------------------------

NOTES:

- 1.Material:SEE TABLE1;
- 2.Plating specification,
 - 2-1.Contact: Contact area: Ni50u"Min/Au See Table3;
 - 2-2.Solder area: Ni50u"Min/Sn100u"Min.
 - Other area: Ni 50u"Min.
- 2-2.Shell:NI.
- 2-3.Latch: Solder area: Ni50u"Min/Sn100u"Min.
- Other area: Ni 50u"Min.
- 3.Mechanical Performance ,
 - 3-1.Insertion Force:5~20N;
 - 3-2.Extraction Force:6~20N after 10000 cycles;
 - 3-3.Durability:10000 cycles.
- 4.Electrical Performance,
 - 4-1.Insulation Resistance:100Ω Min.
 - 4-2.Contact Resistance :50mΩ Max.
 - 4-3.Dielectric Strength :100V AC.
 - 5.Characteristic impedance:100 Ohm±10%;
 - 6.Marked"▼" is the important control dimentions.
 - 7.The product accords with HF STD.

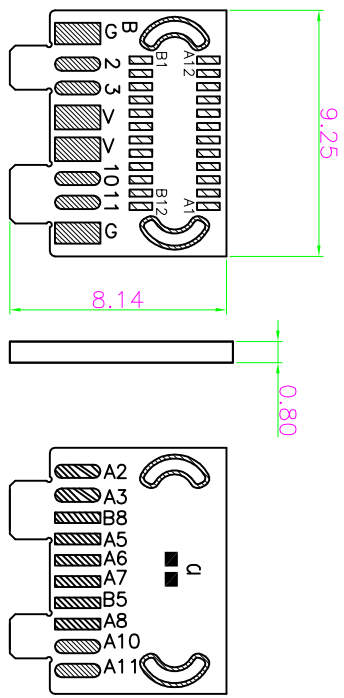
TABLE2:

PINS DESCRIPTION,ONLY USED FOR 3.1 SERIES.

A12	A11	A10	A9	A8	A7	A6	A5	A4	A3	A2	A1
GND	RX2+	RX2-	VBUS	SBU1	D-	D+	CC	VBUS	TX1-	TX1+	GND
GND	TX2+	TX2-	VBUS	Vconn			SBU2	VBUS	RX1-	RX1+	GND
B1	B2	B3	B4	B5	B6	B7	B8	B9	B10	B11	B12

TABLE3:

NO.	PART NO.	DESCRIPTION
1	0019-24-L01-A	PLUG; 外殼鍍銀; 特殊銅Au1u"MIN; L0P 黑色;
2		



PCB LAYOUT

CONTACT CIRCUIT:

CONN PIN	PCB PIN	CONN PIN	PCB PIN
A1,A12,B1, B12,SHELL	GND	A10	A10
A4,A9,B4,B9	V	A11	A11
A2	A2	B2	B2
A3	A3	B3	B3
A5	A5	B5	B5
A6	D+	B8	B8
A7	D-	B10	B10
A8	A8	B11	B11

产品图

深圳市鑫风雷电子有限公司
Shenzhen xinfenglei Electronics Co., Ltd

公差一览表 TOLERANCE UNLESS OTHERWISE		单位 UNITS	MM	制图 DRAWING	王冠 Wangguang	产品料号 PRODUCT PART NO.	00702-UCAM002-X
X	±0.30	X	±5°	审核 CHKD	雷永健 Leiyongjian	产品名称 PRODUCT NAME	Type C 24p 180度立式SMT H=8.8
.X	±0.25	X	±2°	核准 Appd	雷永健 Leiyongjian	联系方式 CONTACT INFO	mail:box: sale1@xfle.com.com www.xfle.com.com
.XX	±0.20	.XX	±1°	日期 DATE	2009/10/20		
.XXX	±0.15	.XXX	±0.5°				

THIS DRAWING CONTAINS INFORMATION THAT IS PROPRIETARY TO XINFENGLI ELECTRONIC CO.,LTD AND SHOULD NOT BE USED WITHOUT WRITTEN PERMISSION

