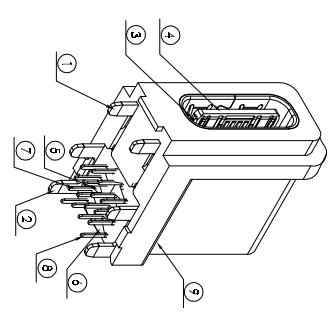
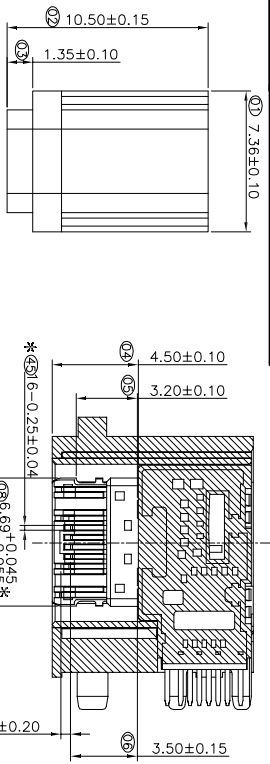
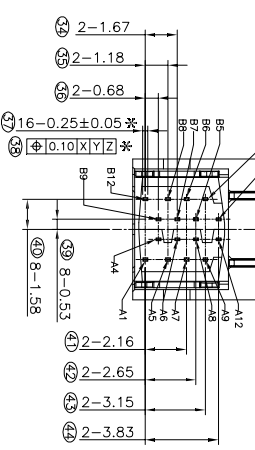
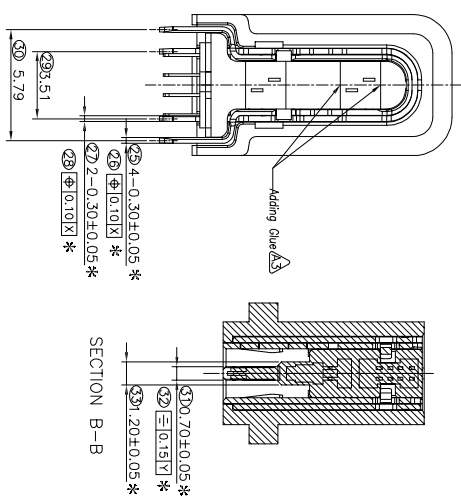
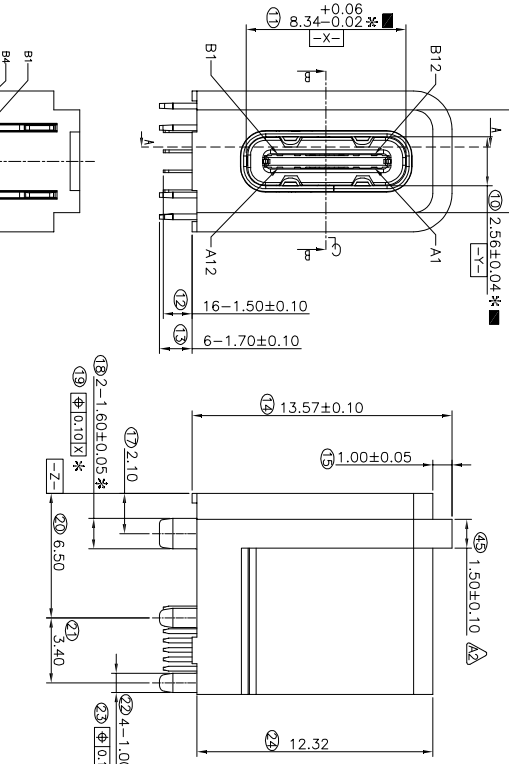


目錄 MAPX	变更内容 MODIFICATION	日期 DATE
A0	NEW	09-10-20

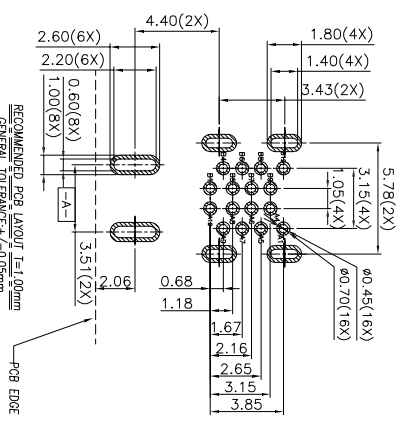


- NOTES:
- Material:
    - All Housing: PA46(Polyplastics),Black, Thermoplastics,UL94V-0
    - Insulation Jacket: LCP(Polyplastics),Black, Thermoplastics,UL94V-0
    - Contact: Copper Alloy
    - Mid Plate: Stainless Steel
    - Outer Shell: Stainless Steel
    - Inner Shell: Stainless Steel
  - ELECTRICAL CHARACTERISTICS:
    - 2-1. VOLTAGE RATING: 20V AC/DC
    - 2-2. CURRENT RATING: 5A
    - 2-3. INSULATION RESISTANCE: 100MEG.OHM MIN
    - 2-4. CONTACT RESISTANCE: 40 MILLIOHM MAX
    - 2-5. OPERATION TEMPERATURE: -30° TO +85°
    - 2-6. WITHSTANDING STRENGTH: 500V AC FOR 1 MINUTE.
    - 2-7. INSERT FORCE: 5-20N
    - 2-8. EXTRACT FORCE: 8-20N
    - 2-9. DURABILITY: 10000 CYCLES
    - 2-10. DIMENSION MARK "S" IS FAI
    - 2-11. DIMENSION MARK "\*" IS QIP
    - 2-12. DIMENSION MARK "■" IS CPK



PIN ASSIGNMENT

A1	A2	A3	A4	A5	A6	A7	A8	A9	A10	A11	A12
GND			VBUS	CC1	DP1	DN1	SBU1	VBUS			
B12	B11	B10	B9	B8	B7	B6	B5	B4	B3	B2	B1



NO.	NAME	QTY	PART NUMBER	MATERIAL	PLATING
1	Inslet	1	HUB138U-1A1-BX00-H	LCP E130,UL94 V-0	Black
2	Up Terminal	12	GUB149F-1A1-VA2A	C7025-TM02,I=0.15	Gold Layer Ni 0.3um Min, Au 0.05um Min, Sn 2.0-5.0um over all
3	Down Terminal	12	GUB150F-1A1-VA2A	C7025-TM02,I=0.15	Gold Layer Ni 0.3um Min, Au 0.05um Min, Sn 2.0-5.0um over all
4	Up Mounting	1	HUT135L-1A1-BM2A-H		Black
5	Down Mounting	1	HUT136L-1A1-BM2A-H		Black
6	Board Mounting	1	HUT137L-1A1-BM2A-H		Black
7	Mid Plate	1	GUB151U-1A1-VN72	SUS301-H,I=0.20	Ni 1.0-5.0um Underplating
8	Inner Shell	1	GUB152U-1A1-VN72	SUS304-3/4H,I=0.30	Ni 1.0-5.0um Underplating
9	Outer Shell	1	GUB153U-1A1-VN72	SUS304-3/4H,I=0.30	Ni 1.0-5.0um Underplating

## 产品图

## 深圳市鑫风雷电子有限公司

公差一览表		单位		制图		产品料号	
TOLERANCE UNLESS OTHERWISE		MM		DRAWING		00603-UCAF005-X	
X	±0.30	X	±5°	王冠	产品名称	TYPE C 16P侧插母座加防护套	
X	±0.25	X	±2°	雷永健	PROJCT NO.	角法	
XX	±0.30	XX	±1°	雷永健	DATE	版本	A0
XXX	±0.15	XXX	±0.5°		2009/10/20	校核	