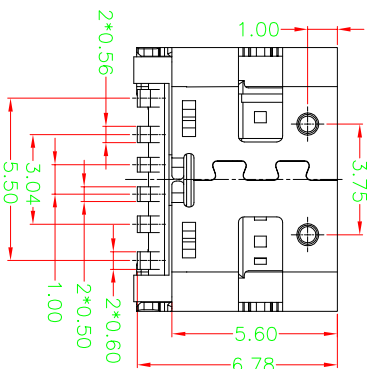
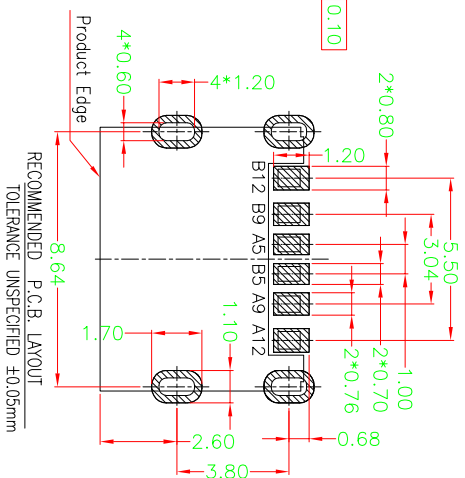
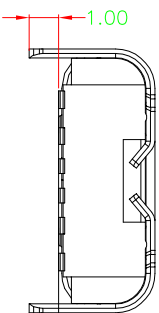
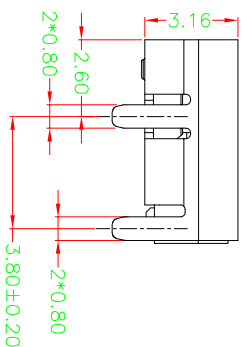
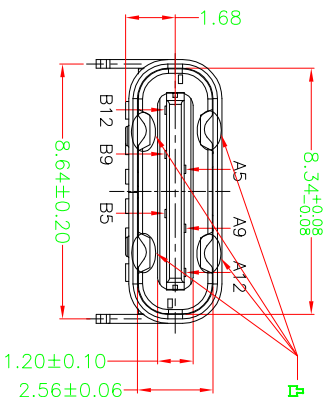
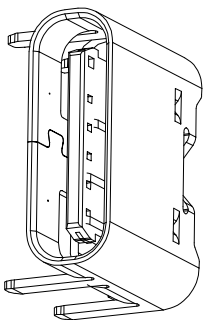
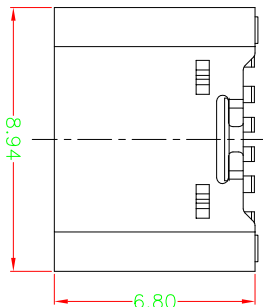


# RoHS 客户图



- NOTES:
- SPECIFICATION:
- CURRENT RATING: 3.0A MAX
  - VOLTAGE: 100 VAC
  - TEMPERATURE RANGE: -30 °C ~ 85 °C
  - CONTACT RESISTANCE: 40 MILLIONHM MAX
  - INSULATION RESISTANCE: 100 MEGOHMS MIN.
  - INSERTION FORCE : 5N~20N
  - UNMATING FORCE: 8N~20N
  - DURABILITY: 10000 CYCLES

3	SHELL	STAINLESS STEEL	Ni:80U" Plated	1SET
2	CONTACT	COPPER ALLOY	Au1u"/Ni:50U" Plated	1SET
1	HOUSING	HIGH TEMPERATURE PLASTIC	BLACK	1PCS
NO.	DESCRIPTION	MATERIAL	REMARKS	QTY

## 深圳市鑫风雷电子有限公司

### 产品图

PRODUCT CHART DWG

#### 公差一览表

公称	公差	说明
A5	CCI	B12 GND
A9	VBUS	B9 VBUS
A12	GND	B5 CC2
PIN	SIGNAL NAME	PIN SIGNAL NAME

公差	公差	公差	公差	公差
X	±0.30	X	±5°	
X	±0.25	X	±2°	
XX	±0.30	XX	±1°	
XXX	±0.15	XXX	±0.5°	

单位	比例	制图	审核	日期	核校	版本
MM	1:1	王冠	雷永健	2009/10/20	雷永健	A0
UNITS	SCALE	DRAWING	CHKD	DATE	APPD	VER
PRODUCT NO.	PRODUCT NO.	PRODUCT NO.	PRODUCT NO.	PRODUCT NO.	PRODUCT NO.	PRODUCT NO.
12011-UCAP013-X	12011-UCAP013-X	12011-UCAP013-X	12011-UCAP013-X	12011-UCAP013-X	12011-UCAP013-X	12011-UCAP013-X