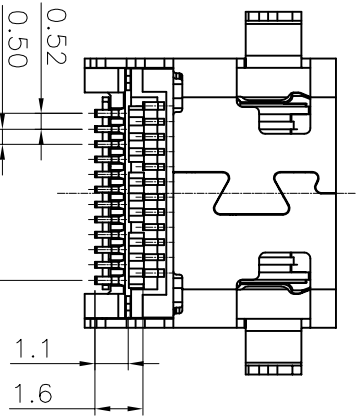
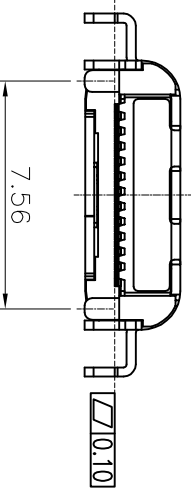
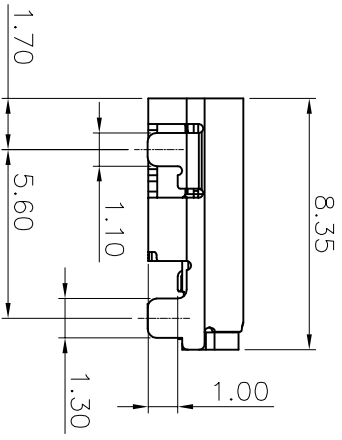
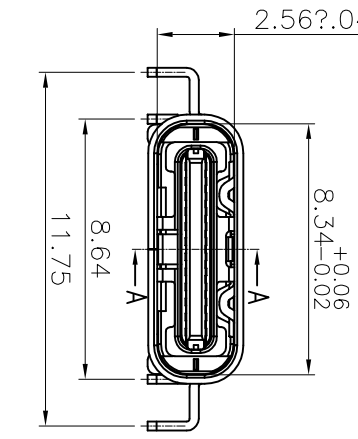
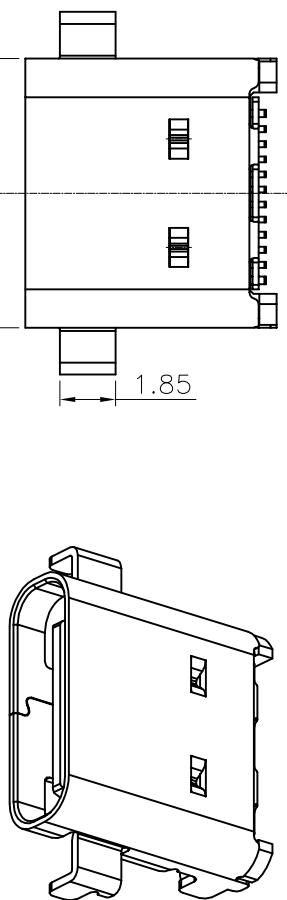


RoHS 客户图

目錄 MAPX	變更內容 MODIFICATION	日期 DATE
A0	NEW	09-10-20



- NOTES:
- MECHANICAL PERFORMANCE,
 - INSERTION FORCE: 5N~20N.
 - REMOVAL FORCE: 5N~20N.
 - DURABILITY: 10000 CYCLES.
 - ELECTRICAL PERFORMANCE,
 - CURRENT RATING:3.0A VOLTAGE RATING:5.0V
 - LCR:VBUS & GND PINS AND OTHER PINS: 40mΩ/PIN MAX.SHIELD: 50mΩ/MAX.
 - INSULATION RESISTANCE: 100MΩ MIN
 - DIELECTRIC WITHSTAND VOLTAGE:AC 100V FOR 1 MINUTE.
 - ENVIRONMENTAL PERFORMANCE: OPERATING TEMPERATURE: -25°C~+85°C.

产品图

PRODUCT CHART DWG

公差一览表

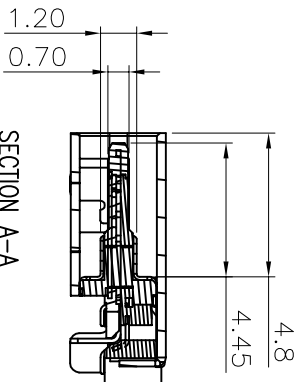
TOLERANCE UNLESS OTHERWISE	X	XX	XXX
±0.30	±0.25	±0.30	±0.15
±5°	±2°	±1°	±0.5°

深圳市鑫风雷电子有限公司
Shenzhen xinfenglei Electronic Co., Ltd

单位 UNITS	MM
比例 SCALE	1:1
日期 DATE	2009/10/20
制图 DRAWING	王冠
审核 CHKD	雷永健
核准 APPD	雷永健
产品料号 PRODUCT PART NO.	26011-UCAF001-X
产品名称 PRODUCT NO.	TYPE C 24P沉板1.0 CH=0.6 L=8.35
角法 VIEW	⊕
版本 VER	A0

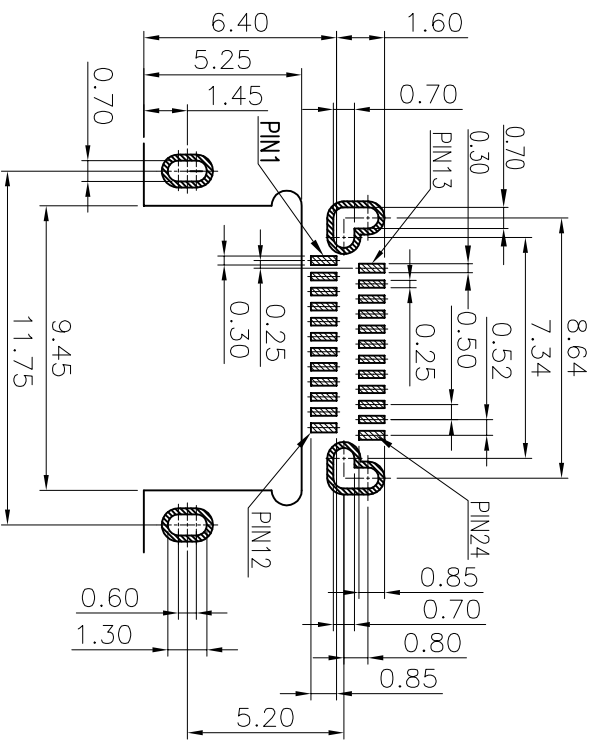
RoHS 客户图

目錄 MAPX A0	變更內容 MODIFICATION NEW	日期 DATE 09-10-20
------------------	-----------------------------	------------------------



USB TYPE-C PIN ASSIGNMENTS

PIN NUMBER	SIGNAL NAME	PIN NUMBER	SIGNAL NAME
A1	GND	B12	GND
A2	SSTXp1	B11	SSRXp1
A3	SSTXn1	B10	SSRXn1
A4	VBUS	B9	VBUS
A5	CC1	B8	SBU2
A6	Dp1	B7	Dn2
A7	Dn1	B6	Dp2
A8	SBU1	B5	CC2
A9	VBUS	B4	VBUS
A10	SSRXn2	B3	SSTXn2
A11	SSRXp2	B2	SSTXp2
A12	GND	B1	GND



NO.	PART NAME	MATERIAL	FINISH
5	EMI SPRING	SUS304R-1/2H T=0.10	Cleaning
4	MID-PLATE	SUS301R-H T=0.15	Plating Ni 50u"Min.
3	OUTER SHELL	SUS304R-1/2H T=0.30	Plating Ni 50u"Min. Overall
2	TERMINALS	C18140-H T=0.12	Contact Area Plating Au See table, 80u"Ni Overall, Soldering Tail Plating Matte-Tin 120u" Min.
1	HOUSING	LCP+30%GF	Black, UL 94V-0

PRODUCT CHAIRT DWG		产品图	
公差一览表 TOLERANCE UNLESS OTHERWISE SPECIFIED		深圳市鑫风雷电子有限公司 Shenzhen xinfenglei Electronic Co., Ltd	
X	±0.30	X	±5°
.X	±0.25	.X	±2°
.XX	±0.30	.XX	±1°
.XXX	±0.15	.XXX	±0.5°
单位 UNITS	MM	制图 DRAWING	王冠
比例 SCALE	1:1	审核 CHECK	雷永健
日期 DATE	2009/10/20	核准 APPROVE	雷永健
产品料号 PRODUCT PART NO.	26011-UCAF001-X	产品名称 PRODUCT NO.	TYPE C 24P沉板1.0 CH=0.6 L=8.35
角法 ANGLE	VIEW	版本 VER	A0