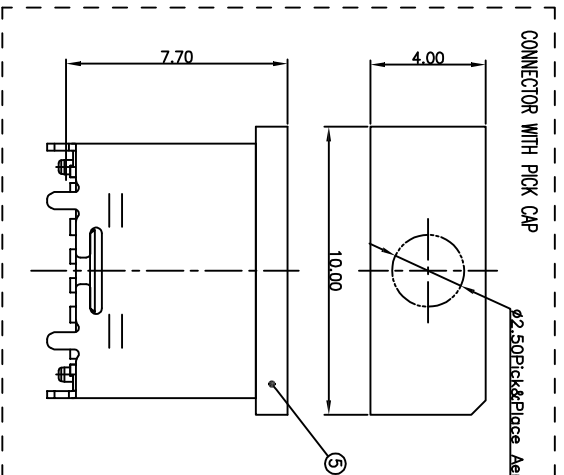
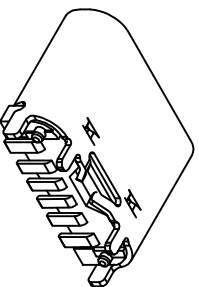
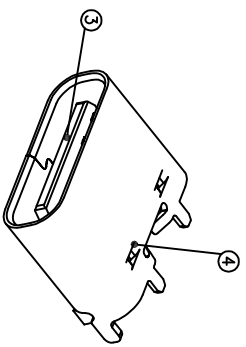
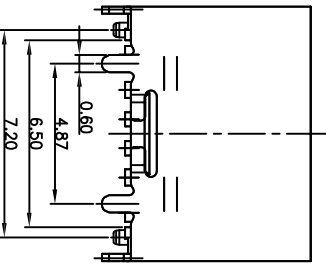
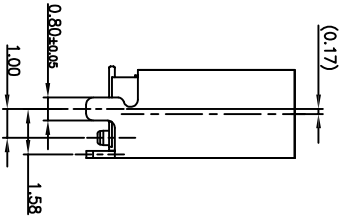
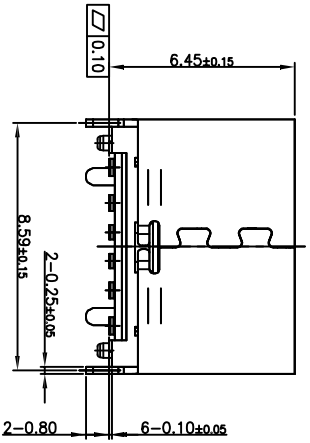
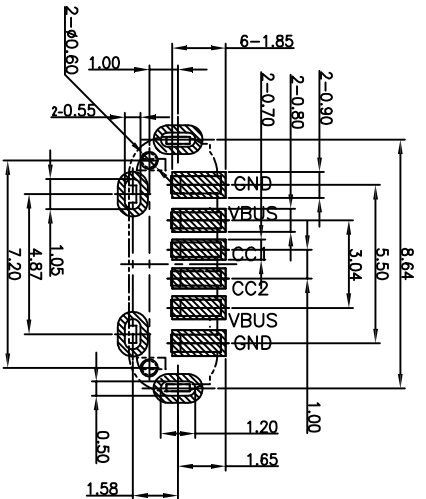
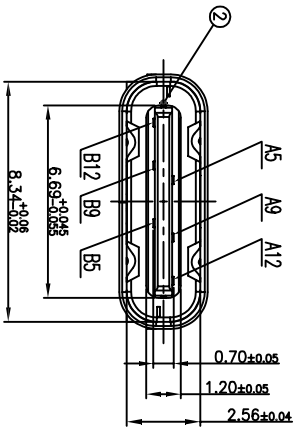
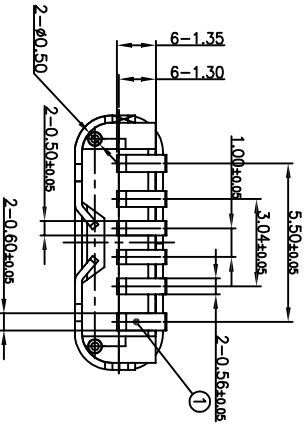


RoHS 客户图



- SPECIFICATION:**
- ELECTRICAL CHARACTERISTICS:
 - CURRENT RATING: 3.0A, VOLTAGE RATING: 5.0V AC
 - CONTACT RESISTANCE: 40MΩ MAX. INITIAL
 - INSULATION RESISTANCE: 100MΩ MS MIN.
 - DIELECTRIC WITHSTAND: 100V AC for 1 MINUTE
 - MECHANICAL CHARACTERISTICS:
 - INSERT FORCE: 5-20N
 - WITHDRAW FORCE: 8-20N (INITIAL), AFTER DURABILITY: 6-20N Min
 - DURABILITY: 10000 CYCLES
 - HARMFUL MATERIAL CONTROL MEET RoHS COMPLIANT 2011/65/EU



此图由Autodesk教育版产品制作

XIN FENG LEI ELECTRONIC CO., LTD. THAT IS PROPRIETARY TO XINFENGLI ELECTRONIC CO., LTD. AND SHOULD NOT BE USED WITHOUT WRITTEN PERMISSION

公差一览表		TOLERANCE UNLESS OTHERWISE	
X	±0.30	X	±5°
X	±0.25	X	±2°
XX	±0.30	XX	±1°
XXX	±0.15	XXX	±0.5°

③	CAP	LCP, U194V-0-COLOR:BLACK;
④	SHELL	SUS. NI PLATED OVERALL
⑤	HOUSING	LCP, U194V-0-COLOR:BLACK;
②	METAL PLATE	SUS. N/A
①	TERMINAL	COPPER ALLOY/GOLD PLATED ON CONTACT AREA,TIN PLATED ON SOLDER TAILS.
ITEM	PART NAME	DESCRIPTION

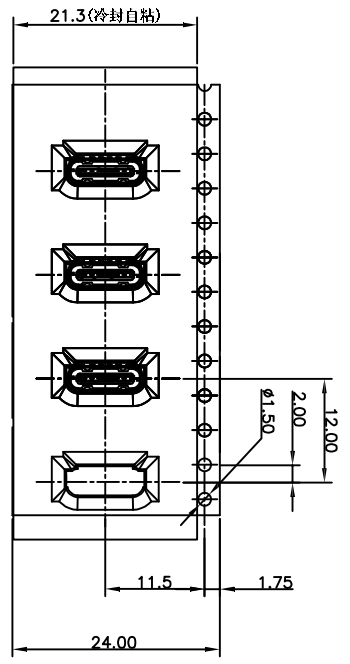
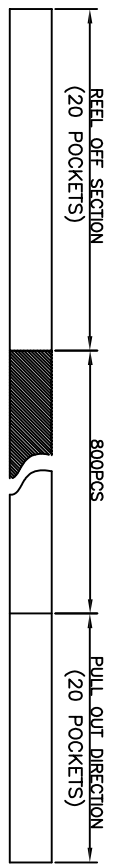
单位	MM	制图	王冠	产品料号	01013-UCAF003-X
比例	1:1	审核	雷永健	产品名称	TYPE C 6P母座180度SMT四脚固定 H=6.5
日期	2009/10/20	核准	雷永健	角法	
DATE		APPD		版本	A0

产品图
PRODUCT CHART DWG
深圳市鑫风雷电子有限公司
Shenzhen xinfenglei Electronic Co., Ltd

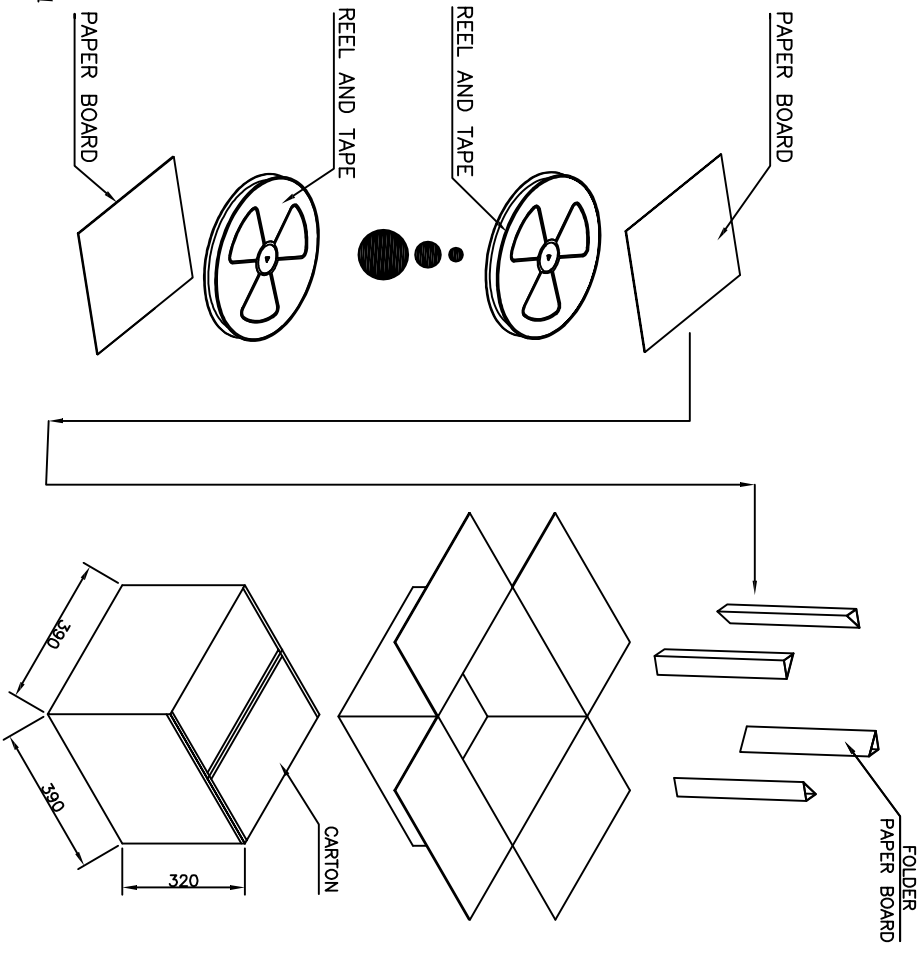
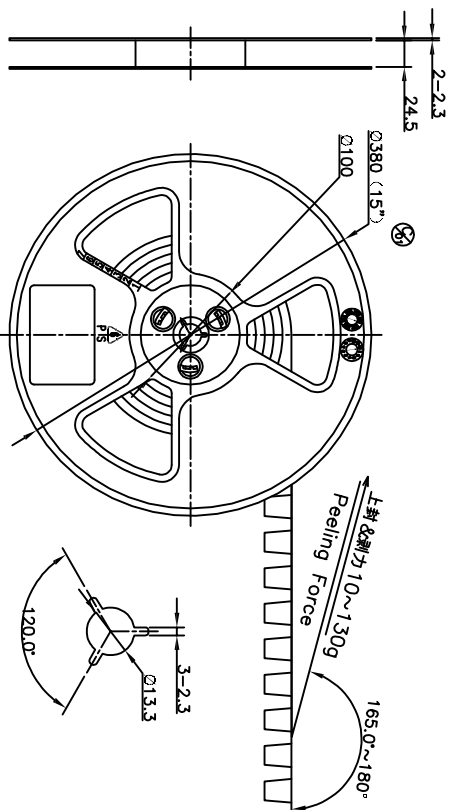
目錄	变更内容	日期
MAPX	MODIFICATION	DATE
A0	NEW	09-10-20

ROHS 客户图

目錄 MAPX A0	設定內容 MODIFICATION NEW	日期 DATE 09-10-20
------------------	-----------------------------	------------------------



PRODUCT PACKAGING DIRECTION
CUSTOMER TO USE DIRECTION



产品图 PRODUCT CHART DWG		公差一览表 TOLERANCE UNLESS OTHERWISE		单位 UNITS		比例 SCALE		日期 DATE		制图 DRAWING		产品料号 PRODUCT PART NO.		产品名称 PRODUCT NO.		角法 VIEW		版本 VER	
X	±0.30	X'	±5'	MM		1:1		2009/10/20		王冠		01013-UCAF003-X		TYPE C 6P母座180度SMT四脚固定 H=6.5		⊕		A0	
X	±0.25	X'	±2'							审核 CHD									
.XX	±0.30	.XX'	±1'							核准 APPD									
.XXX	±0.15	.XXX'	±0.5'																

深圳市鑫风雷电子有限公司
Shenzhen xinfenglei Electronic Co., Ltd

CONN. PART NO.	CONN. QTY./REEL	REEL QTY./CARTON	CONN. QTY./CARTON
01013-UCAF003-X	800	10	8000 PCS