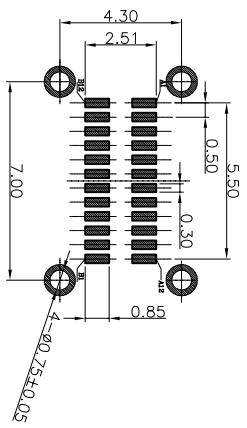
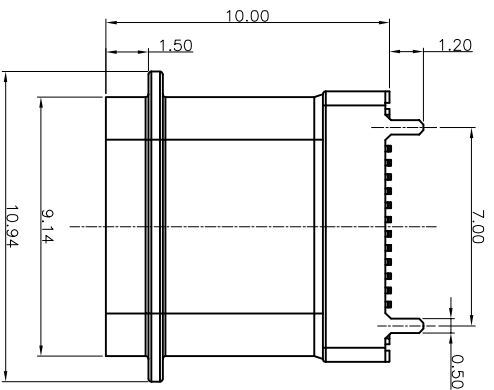


目錄 MAPX	变更内容 MODIFICATION	日期 DATE
A0	NEW	09-10-20



RECOMMENDED P.C.B. LAYOUT (T:1.00mm)
TOLERANCE UNSPECIFIED ±0.05mm

NOTES: 1.MATERIAL:

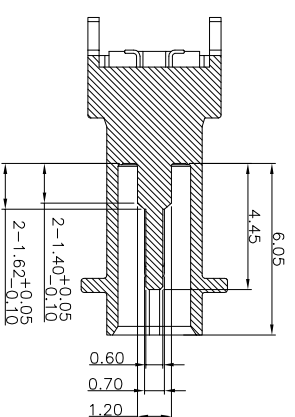
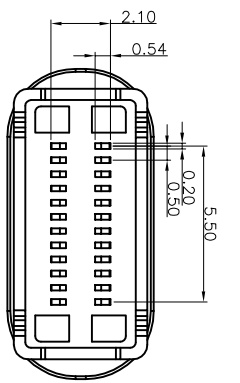
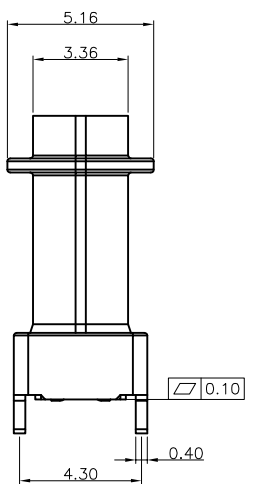
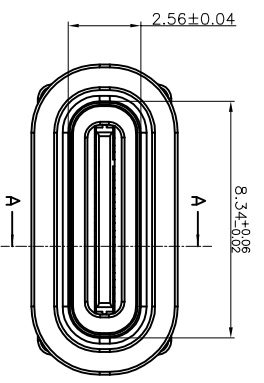
MOLDING: LCP UL94 V-0
CONTACT: COPPER ALLOY.
PLATED GOLD ON CONTACT AREA,
G/F GOLD ON SOLDER AREA,
50u" NICKEL PLATING OVER ALL.
SHELL: SUS304-H,T=0.30±0.03mm
50u" NICKEL PLATING OVER ALL.
EMI SHILD:SUS301-H,T=0.10±0.03mm
LATCH:SUS301-H,T=0.15±0.03mm

2.MECHANICAL:

INSERTION: 5~20N.
EXTRACTION: 8~20N.
DURABILITY: 10000 CYCLES

3.ELECTRICAL:

CURRENT: 5A MIN FOR VBUS;
0.25A MIN FOR OTHER.
VOLTAGE: 5VAC MAX
WITHSTANDING VOLTAGE: 100V AC.
CONTACT RESISTANCE: 40mΩ MAX.
INSULATION RESISTANCE: 100MΩ MIN.
4.ENVIRONMENTAL
TEMPERATURE RANGE: -30°C TO +80°C



SECTION A-A

产品图

PRODUCT CHART DWG

深圳市鑫风雷电子有限公司
Shenzhen xinfenglei Electronics Co., Ltd

公差一览表 TOLERANCE UNLESS OTHERWISE		单位 UNITS	MM	制图 DRAWING	王冠 Wangguan	产品料号 PRODUCT PART NO.	00305-UCAR025-X
X	±0.30	X'	±5'	审核 CHKD	雷永健 Lei Yongjian	产品名称 PRODUCT NO.	Type C 24pin 母座 180度立式 SMT H=10.00 防水 IP67
.XX	±0.20	.XX'	±2'	日期 DATE	2009/10/20	联系方式 Mailbox/ web	mailbox: sale1@xfll.com.com www_xfll.com.com
.XXX	±0.15	.XXX'	±0.5'	核准 APPD	雷永健 Lei Yongjian	联系邮箱	sale1@xfll.com.com